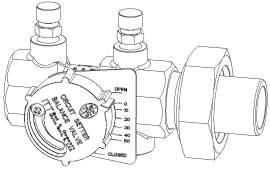


JOB:	REPRESENTATIVE:	
UNIT TAG:	ORDER NO.	DATE:
ENGINEER:	SUBMITTED BY:	DATE:
CONTRACTOR:	APPROVED BY:	DATE:



Circuit Setter Plus[®] Model MC

DESCRIPTION

The Bell & Gossett Model MC is a presettable calibrated balance, commissioning and positive shut-off valve for use in HVAC systems. Valves are furnished with a calibrated nameplate, memory stop, two pressure / temperature ports, and a hanging ID tag for commissioning. A variety of end connections are available on both the fixed and union ends.

CONSTRUCTION

Body: Brass ASTM B283-C69300
 Ball: 304 Stainless Steel
 Ball Seal: Glass and Carbon filled TFE
 Stem O-Rings: EPDM

MAXIMUM WORKING PRESSURE

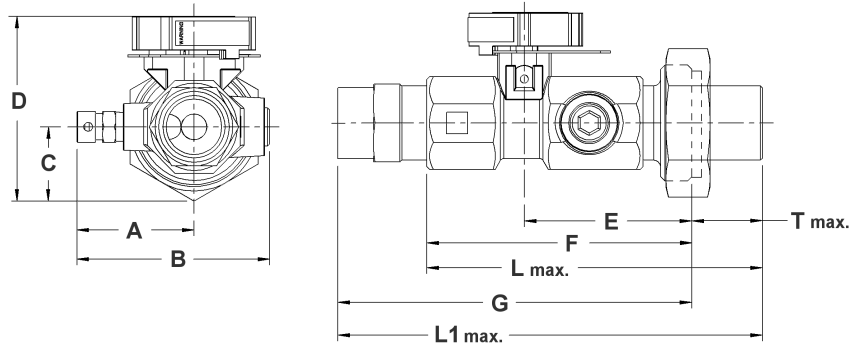
300 psig (2,069 kPa)

TEMPERATURE RANGE

-4°F (-20°C) to 250°F (121°C)

SCHEDULE

VALVE SIZE FIXED END	TAGGING INFORMATION	QUANTITY
½" Sweat Female		
½" NPT Female		
¾" Sweat Female		
¾" NPT Female		
1" Sweat Female		
1" NPT Female		
1¼" Sweat Female		
1¼" NPT Female		
1½" Sweat Female		
1½" NPT Female		
2" Sweat Female		
2" NPT Female		



Valve Size Fixed End	Connection Fixed End	DIMENSIONS* INCH (mm)										Approx. Weight Lbs.
		A	B	C	D	E	F	L (Max)	G	L1 (Max)	T (Max)	
½"	Sweat Female	1.98 (50.3)	3.02 (76.7)	0.56 (14.2)	2.01 (51.1)	2.19 (55.6)	3.50 (88.9)	- (-)	4.10 (104.1)	5.65 (143.5)	1.55 (39.4)	1.9 (0.9)
	NPT Female	1.98 (50.3)	3.02 (76.7)	0.56 (14.2)	2.01 (51.1)	2.19 (55.6)	3.50 (88.9)	5.05 (128.3)	- (-)	- (-)	1.55 (39.4)	1.9 (0.9)
¾"	Sweat Female	2.03 (51.6)	3.12 (79.2)	0.66 (16.8)	2.20 (56.0)	2.28 (58.0)	3.66 (93.0)	- (-)	4.68 (118.9)	6.23 (158.2)	1.55 (39.4)	2.4 (1.1)
	NPT Female	2.03 (51.6)	3.12 (79.2)	0.66 (16.8)	2.20 (56.0)	2.28 (58.0)	3.66 (93.0)	5.21 (132.3)	- (-)	- (-)	1.55 (39.4)	2.4 (1.1)
1"	Sweat Female	2.18 (55.4)	3.42 (86.8)	0.81 (20.6)	2.51 (63.8)	2.62 (66.5)	4.36 (110.7)	- (-)	5.55 (141.0)	7.55 (191.8)	2.00 (50.8)	3.4 (1.5)
	NPT Female	2.18 (55.4)	3.42 (86.8)	0.81 (20.6)	2.51 (63.8)	2.62 (66.5)	4.36 (110.7)	6.36 (161.5)	- (-)	- (-)	2.00 (50.8)	3.4 (1.5)
1¼"	Sweat Female	2.32 (59.0)	3.70 (94.1)	1.00 (25.4)	3.29 (83.6)	3.11 (79.0)	5.05 (128.3)	- (-)	6.25 (158.8)	8.25 (209.6)	2.00 (50.8)	5.2 (2.4)
	NPT Female	2.32 (59.0)	3.70 (94.1)	1.00 (25.4)	3.29 (83.6)	3.11 (79.0)	5.05 (128.3)	7.05 (179.1)	- (-)	- (-)	2.00 (50.8)	5.2 (2.4)
1½"	Sweat Female	2.45 (62.2)	3.96 (100.6)	1.13 (28.7)	3.48 (88.4)	3.79 (96.3)	5.70 (144.8)	- (-)	7.03 (178.6)	9.55 (242.6)	2.52 (64.0)	6.6 (3.0)
	NPT Female	2.45 (62.2)	3.96 (100.6)	1.13 (28.7)	3.48 (88.9)	3.79 (96.9)	5.70 (144.8)	8.22 (208.8)	- (-)	- (-)	2.52 (64.0)	6.6 (3.0)
2"	Sweat Female	2.70 (68.6)	4.46 (113.2)	1.38 (35.1)	4.02 (102.1)	4.20 (106.7)	6.47 (164.3)	- (-)	8.15 (207.0)	11.29 (286.8)	3.14 (79.8)	10.3 (4.7)
	NPT Female	2.70 (68.6)	4.46 (113.2)	1.13 (35.1)	4.02 (102.1)	4.20 (106.7)	6.47 (164.3)	9.61 (244.1)	- (-)	- (-)	3.14 (79.8)	10.3 (4.7)

*All dimensions +/- 0.125 (3.2 mm) tolerance. Dimensions are subject to change. Not to be used for construction purposes unless certified.

Xylem Inc.
8200 N. Austin Avenue
Morton Grove, IL 60053
Phone: (847)966-3700
Fax: (847)965-8379
www.bellgossett.com

xylem
Let's Solve Water

Bell & Gossett is a trademark of Xylem Inc. or one of its subsidiaries.
© 2013 Xylem Inc.