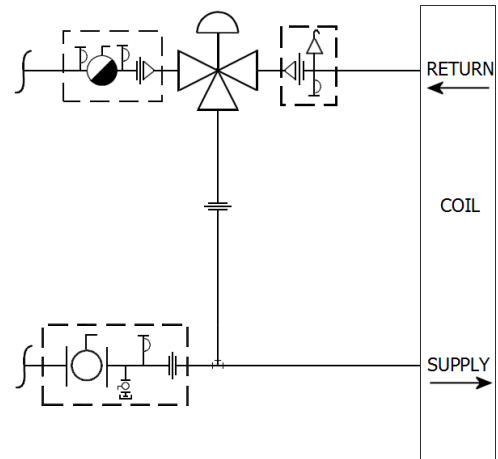
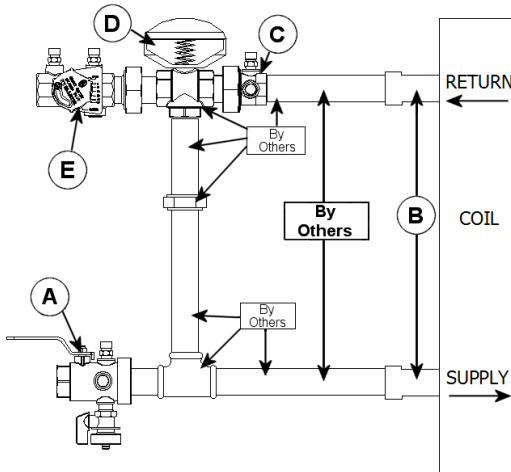


|   |  |  |
|---|--|--|
| <b>JOB:</b><br><br><br><b>UNIT TAG:</b><br><b>ENGINEER:</b><br><b>CONTRACTOR:</b> | <b>REPRESENTATIVE:</b><br><br><br><b>ORDER NO.:</b><br><b>SUBMITTED BY:</b><br><b>APPROVED BY:</b> | <b>DATE:</b><br><b>DATE:</b><br><b>DATE:</b> |
|---|--|--|

## MC3B VALVE KIT



**DESCRIPTION**

The Bell & Gossett MC3B Valve Kit is a packaged and partially pre-assembled collection of common components required for commissioning a terminal unit. Temperature control valves, piping and coils are not supplied by B&G.

The MC3B Kit consists of:

| Balloon | Part Number | Inlet Connection | Outlet Connection | Description  |
|---------|-------------|------------------|-------------------|--|
| A       |             |                  |                   | <b>Model UBV</b> - Combination Shut Off Valve and Union End with one Pressure / Temperature Port, Drain Valve and Tailpiece.   |
| B       |             |                  |                   | Connection Size for Coil/Terminal  |
| C       |             |                  |                   | <b>Model UA</b> - Union Accessory with one Pressure / Temperature Port, Manual Air Vent, Tailpiece and Union End.  |
| D       |             |                  |                   | Connection Size for Two-Way Temperature Control Valve (by others)  |
| E       |             |                  |                   | <b>Model MC</b> - Circuit Setter <sup>®</sup> - Calibrated Balance, Commissioning and Shut Off Valve with two Pressure / Temperature Ports, Tailpiece and Union End. |