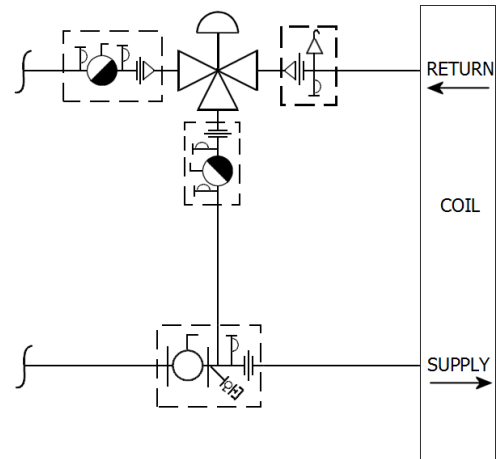
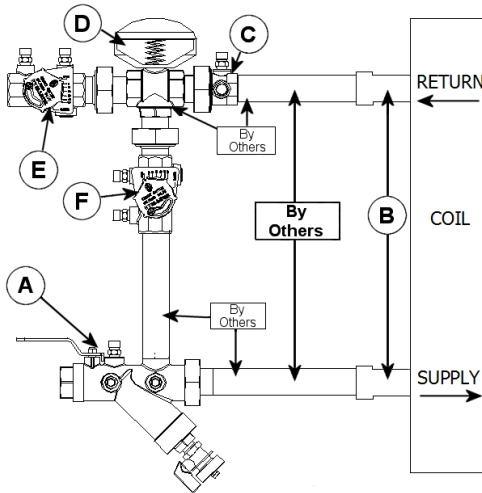


JOB: UNIT TAG: ENGINEER: CONTRACTOR:	REPRESENTATIVE: ORDER NO. SUBMITTED BY: APPROVED BY: DATE: DATE: DATE:
---	---

MC3YMC VALVE KIT



DESCRIPTION

The Bell & Gossett MC3YMC Valve Kit is a packaged and partially pre-assembled collection of common components required for commissioning a terminal unit. Temperature control valves, piping and coils are not supplied by B&G.

The MC3YMC Kit consists of:

Balloon	Part Number	Inlet Connection	Outlet Connection	Description
A				Model UBY - Combination Wye Strainer and Shut Off Valve with one Pressure / Temperature Port, Drain Valve, Tailpiece and Union End.
B				Connection Size for Coil/Terminal
C				Model UA - Union Accessory with one Pressure / Temperature Port, Manual Air Vent, Tailpiece and Union End.
D				Connection Size for Two-Way Temperature Control Valve (by others)
E				Model MC - Circuit Setter [®] - Calibrated Balance, Commissioning and Shut Off Valve with two Pressure / Temperature Ports, Tailpiece and Union End.
F				Model MC - Circuit Setter [®] - Calibrated Balance, Commissioning and Shut Off Valve with two Pressure / Temperature Ports, Tailpiece and Union End.