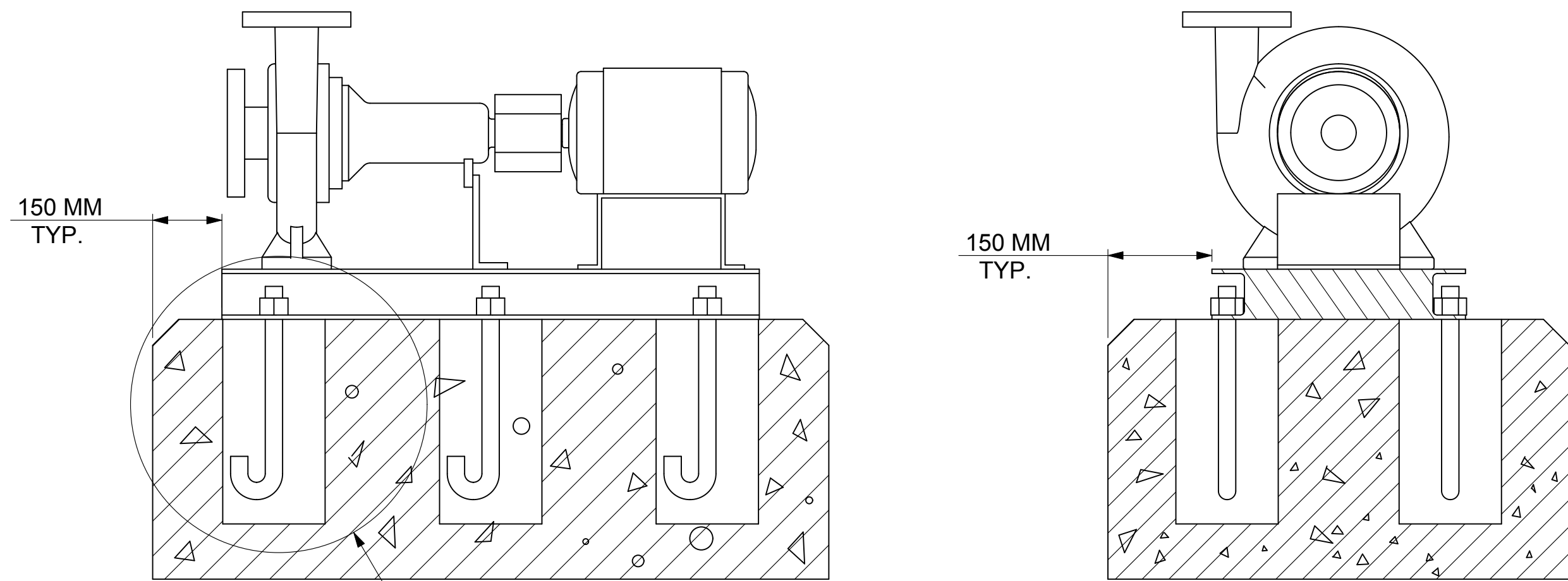


DIMENSIONS ARE SUBJECT TO CHANGE, NOT TO BE USED FOR CONSTRUCTION PURPOSES UNLESS CERTIFIED.

| DIMENSIONS- Inches (mm) |          |           |          |           |                 | STANDARD SEAL 1510, 1510-F |              |           |          |        |         |              |              |         |             |               |             |             |  | WEIGHT | OPERATING |
|-------------------------|----------|-----------|----------|-----------|-----------------|----------------------------|--------------|-----------|----------|--------|---------|--------------|--------------|---------|-------------|---------------|-------------|-------------|--|--------|-----------|
| MOTOR FRAME             | MOTOR KW | MOTOR RPM | HA       | HB        | HC MAX          | HD                         | 2HE          | HF1       | HF2      | HH     | HL      | HM MAX       | HO           | HP      | Y           | Z             | Kg. APPROX. | kg. APPROX. |  |        |           |
| 160M                    | 11       | 1450      | 24 (610) | 56 (1422) | 47-5/8 (1210)   | 16-1/2 (419)               | 21-1/2 (546) | 44 (1118) | 22 (559) | 1 (25) | 6 (152) | 23-3/8 (594) | 27-1/2 (698) | 6 (152) | 6-1/8 (156) | 8-15/32 (215) | 434         | 542         |  |        |           |
| 160L                    | 15       | 1450      | 24 (610) | 56 (1422) | 49-3/8 (1254)   | 16-1/2 (419)               | 21-1/2 (546) | 44 (1118) | 22 (559) | 1 (25) | 6 (152) | 23-3/8 (594) | 27-1/2 (698) | 6 (152) | 6-1/8 (156) | 8-15/32 (215) | 455         | 569         |  |        |           |
| 180M                    | 18.5     | 1450      | 24 (610) | 56 (1422) | 50-5/16 (1278)  | 16-1/2 (419)               | 21-1/2 (546) | 44 (1118) | 22 (559) | 1 (25) | 6 (152) | 24-1/2 (622) | 27-1/2 (698) | 6 (152) | 6-1/8 (156) | 8-15/32 (215) | 503         | 629         |  |        |           |
| 180L                    | 22       | 1450      | 24 (610) | 56 (1422) | 51-13/16 (1316) | 16-1/2 (419)               | 21-1/2 (546) | 44 (1118) | 22 (559) | 1 (25) | 6 (152) | 24-1/2 (622) | 27-1/2 (698) | 6 (152) | 6-1/8 (156) | 8-15/32 (215) | 522         | 653         |  |        |           |
| 200L                    | 30       | 1450      | 24 (610) | 56 (1422) | 55-3/8 (1407)   | 16-1/2 (419)               | 21-1/2 (546) | 44 (1118) | 22 (559) | 1 (25) | 6 (152) | 25-5/8 (651) | 27-1/2 (698) | 6 (152) | 6-1/8 (156) | 8-15/32 (215) | 626         | 782         |  |        |           |



- NOTE :
- 1) THE FOUNDATION TO BE MADE OF CONCRETE ON SOLID GROUND.
  - 2) FOUNDATION BOLTS & PACKER PLATES TO BE GROUTED WITH QUICK SETTING NON-SHRINK GROUT ONLY.
  - 3) RECOMMENDED MAKE : ACC "SHRINKKOMP" / FORSORC "CONBEXTRA-GP2" OR EQUIVALENT BALANCE HOLLOW PORTION OF BASEFRAME TO BE GROUTED WITH PORTLAND CEMENT, SAND & AGGREGATE IN PROPORTION OF 1:2:2 GRAVEL SIZE SHOULD BE < 18 TO 20 MM. AFTER FINAL GROUTING ALL SURFACE SHOULD BE FINISHED WITH FINE PLASTER.
  - 4) THE FOUNDATION MUST BE ATLEAST 2.5 TIMES THE WEIGHT OF THE PUMP UNIT.
  - 5) FOUNDATION DETAILS ARE FOR REFERENCE ONLY, SHOULD BE CONSTRUCTED BY CUSTOMER AS PER SITE REQUIREMENT ONLY.
  - 6) PUMP SET IMAGE IS PROVIDED FOR DIMENSIONS REFERENCE ONLY AND IS NOT TO SCALE.

DEVIATION FOR LINEAR DIMENSIONS ARE AS PER IS:2102 VERY COARSE CLASS.

| ABOVE             | 0.5   | 3     | 6     | 30    | 120   | 400   | 1000  | 2000 |
|-------------------|-------|-------|-------|-------|-------|-------|-------|------|
| UP TO & INCLUDING | 3     | 6     | 30    | 120   | 400   | 1000  | 2000  | 4000 |
| VERY COARSE CLASS | ± 0.5 | ± 1.0 | ± 1.5 | ± 2.5 | ± 4.0 | ± 6.0 | ± 8.0 |      |

MAXIMUM WORKING PRESSURE 175 PSI (12 BAR)  
FLANGES ARE 125# ANSI - STANDARD

| FLANGE DIMENSIONS IN INCHES (MM) |      |             |           |             |           |             |
|----------------------------------|------|-------------|-----------|-------------|-----------|-------------|
|                                  | SIZE | O.D.        | THICKNESS | PCD         | HOLE DIA. | NO OF HOLES |
| DISCHARGE                        | 6    | 12.13 (308) | 1.44 (37) | 9.50 (241)  | 0.88 (22) | 8           |
| SUCTION                          | 8    | 14.75 (375) | 1.63 (41) | 11.75 (298) | 0.88 (22) | 8           |

MAXIMUM WORKING PRESSURE 232 PSI ( 16 BAR)

| FLANGE DIMENSIONS IN INCHES (MM) |      |             |           |             |           |             |
|----------------------------------|------|-------------|-----------|-------------|-----------|-------------|
|                                  | SIZE | O.D.        | THICKNESS | PCD         | HOLE DIA. | NO OF HOLES |
| DISCHARGE                        | 6    | 12.13 (308) | 1.44 (37) | 9.45 (240)  | 0.88 (22) | 8           |
| SUCTION                          | 8    | 14.75 (375) | 1.63 (41) | 11.61 (295) | 0.88 (22) | 12          |

| REVISION |  | DATE     | BY | CHKD. | APP. | REVISION |  | DATE     | BY | CHKD. | APP. | TITLE                                   |  |  |  | DWG NO.       |  | THIRD ANGLE PROJECTION |  |
|----------|--|----------|----|-------|------|----------|--|----------|----|-------|------|---|--|--|--|---------------|--|------------------------|--|
| 06       |  | 13/12/16 | VP | KS    | KS   | 03       |  | 02/04/14 | VP | DJ    | KS   | FLANGE DETAIL ADDED                     |  |  |  | 1510-6E       |  | [Symbol]               |  |
| 05       |  | 13/03/15 | VP | DJ    | KS   | 01       |  | 12/02/13 | DJ | NP    | KS   | 30KW DETAILS ADDED                      |  |  |  | 1510-6E MODEL |  | [Symbol]               |  |
| 04       |  | 09/08/14 | VP | DJ    | KS   | 00       |  | 16/08/12 | NP | DJ    | KS   | FOUNDATION DETAILS ADDED                |  |  |  | 1510-6E       |  | [Symbol]               |  |
| 04       |  | 09/08/14 | VP | DJ    | KS   | 00       |  | 16/08/12 | NP | DJ    | KS   | MAXIMUM WORKING PRESSURE DETAIL CHANGED |  |  |  | 1510-6E       |  | [Symbol]               |  |
| 04       |  | 09/08/14 | VP | DJ    | KS   | 00       |  | 16/08/12 | NP | DJ    | KS   | ORIGINAL RELEASE                        |  |  |  | 1510-6E       |  | [Symbol]               |  |