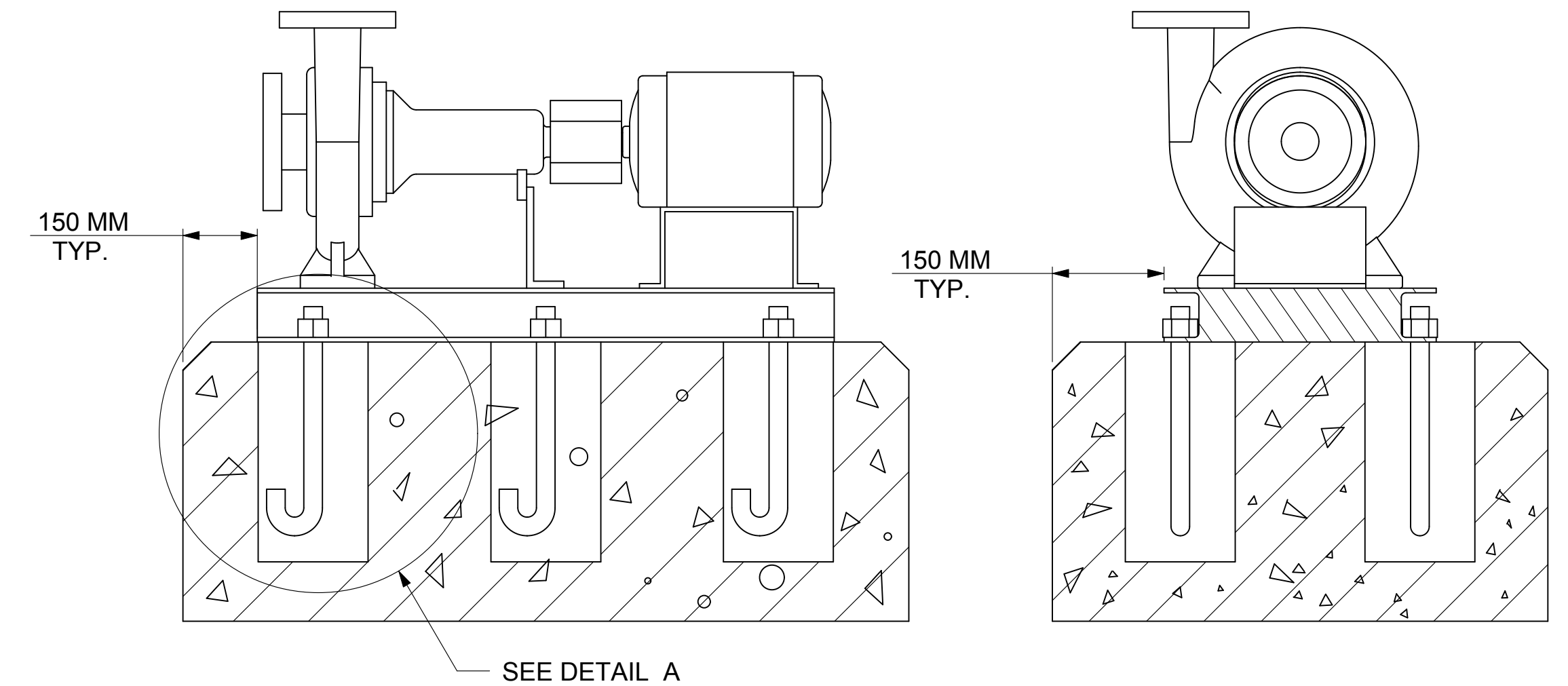


DIMENSIONS ARE SUBJECT TO CHANGE, NOT TO BE USED FOR CONSTRUCTION PURPOSES UNLESS CERTIFIED.

DIMENSIONS- Inches (mm)			STANDARD SEAL 1510, 1510-F														WEIGHT kg. APPROX	OPERATING WEIGHT kg. APPROX
MOTOR FRAME	MOTOR KW	MOTOR RPM	HA	HB	HC MAX	HD	2HE	HF1	HF2	HH	HL	HM MAX	HO	HP	Y	Z		
132M	7.5	1450	16 (406)	46-1/2 (1181)	42-7/8 (1089)	15 (381)	14 (356)	36-1/2 (927)	18-1/4 (464)	7/8 (22)	4-7/16 (113)	20-3/8 (518)	25-1/2 (648)	5 (127)	5-1/2 (140)	7-15/16 (202)	299	374
160M	11	1450	16 (406)	46-1/2 (1181)	46-3/4 (1187)	15 (381)	14 (356)	36-1/2 (927)	18-1/4 (464)	7/8 (22)	4-7/16 (113)	21-7/8 (556)	25-1/2 (648)	5 (127)	5-1/2 (140)	7-15/16 (202)	357	447
160L	15	1450	16 (406)	46-1/2 (1181)	48-1/2 (1232)	15 (381)	14 (356)	36-1/2 (927)	18-1/4 (464)	7/8 (22)	4-7/16 (113)	21-7/8 (556)	25-1/2 (648)	5 (127)	5-1/2 (140)	7-15/16 (202)	379	474
180M	18.5	1450	16 (406)	51-3/4 (1314)	49-1/4 (1251)	15 (381)	14 (356)	41-3/4 (1060)	20-7/8 (530)	7/8 (22)	4-7/16 (113)	23 (584)	25-1/2 (648)	5 (127)	5-1/2 (140)	7-15/16 (202)	424	530



DEVIATION FOR LINEAR DIMENSIONS ARE AS PER IS:2102 VERY COARSE CLASS.

ABOVE	0.5	3	6	30	120	400	1000	2000
UP TO & INCLUDING	3	6	30	120	400	1000	2000	4000
VERY COARSE CLASS	—	± 0.5	± 1.0	± 1.5	± 2.5	± 4.0	± 6.0	± 8.0

MAXIMUM WORKING PRESSURE 175 PSI ( 12 BAR)  
FLANGE ARE 125# ANSI - STANDARD

FLANGE DIMENSIONS IN INCHES (MM)						
	SIZE	O.D.	THICKNESS	PCD	HOLE DIA.	NO OF HOLES
DISCHARGE	5	10.75 (273)	1.38 (35)	8.50 (216)	0.88 (22)	8
SUCTION	6	12.13 (308)	1.44 (37)	9.50 (241)	0.88 (22)	8

MAXIMUM WORKING PRESSURE 232 PSI ( 16 BAR)

FLANGE DIMENSIONS IN INCHES (MM)						
	SIZE	O.D.	THICKNESS	PCD	HOLE DIA.	NO OF HOLES
DISCHARGE	5	10.75 (273)	1.38 (35)	8.27 (210)	0.71 (18)	8
SUCTION	6	12.13 (308)	1.44 (37)	9.45 (240)	0.88 (22)	8

NOTE :

- 1) THE FOUNDATION TO BE MADE OF CONCRETE ON SOLID GROUND.
- 2) FOUNDATION BOLTS & PACKER PLATES TO BE GROUTED WITH QUICK SETTING NON-SHRINK GROUT ONLY.
- 3) RECOMMENDED MAKE : ACC "SHRINKKOMP" / FORSORC "CONBEXTRA-GP2" OR EQUIVALENT BALANCE HOLLOW PORTION OF BASEFRAME TO BE GROUTED WITH PORTLAND CEMENT, SAND & AGGREGATE IN PROPORTION OF 1:2:2 GRAVEL SIZE SHOULD BE < 18 TO 20 MM. AFTER FINAL GROUTING ALL SURFACE SHOULD BE FINISHED WITH FINE PLASTER.
- 4) THE FOUNDATION MUST BE ATLEAST 2.5 TIMES THE WEIGHT OF THE PUMP UNIT.
- 5) FOUNDATION DETAILS ARE FOR REFERENCE ONLY, SHOULD BE CONSTRUCTED BY CUSTOMER AS PER SITE REQUIREMENT ONLY.
- 6) PUMP SET IMAGE IS PROVIDED FOR DIMENSIONS REFERENCE ONLY AND IS NOT TO SCALE.

REVISION		DATE	BY	CHKD.	APP.	REVISION		DATE	BY	CHKD.	APP.
06	SUPPORT FOOT MOUNTING DIRECTION CHANGED	12/12/16	VP	KS	KS	02	FLANGE DETAIL ADDED	02/04/14	VP	DJ	KS
05	16 BAR & GENERAL TOLERANCE DETAILS ADDED	12/03/15	VP	DJ	KS	01	FOUNDATION DETAILS ADDED	12/02/13	DJ	NP	KS
04	180M FRAME SIZE DETAIL ADDED	18/09/14	VP	DJ	KS	00	ORIGINAL RELEASE	16/08/12	NP	DJ	KS

1510 5E MODEL										DWG NO. 1510-5E		THIRD ANGLE PROJECTION	
DWN.	DATE	CHKD.	DATE	SCALE	TOLERANCES UNLESS OTHERWISE SPECIFIED:					X.YEM		X.YEM	
NP	16/08/12	DJ	16/08/12	NTS						X.YEM		X.YEM	

THIS DRAWING AND THE INFORMATION DEPICTED THEREIN IS THE PROPERTY OF XYLEM. COPIES ARE ISSUED IN STRICT CONFIDENCE AND SHALL NOT BE REPRODUCED OR COPIED, OR USED AS THE BASIS FOR THE MANUFACTURE OR SALE OF PRODUCTS WITHOUT PRIOR WRITTEN PERMISSION OF XYLEM.

**xylem** Xylem Water Solutions India Private Limited  
Plot No. 731, GIDC Savli, Manjusr, Savli Road, Vasodara-381 770, Gujarat, India.  
Tel : +91 2667 265800.