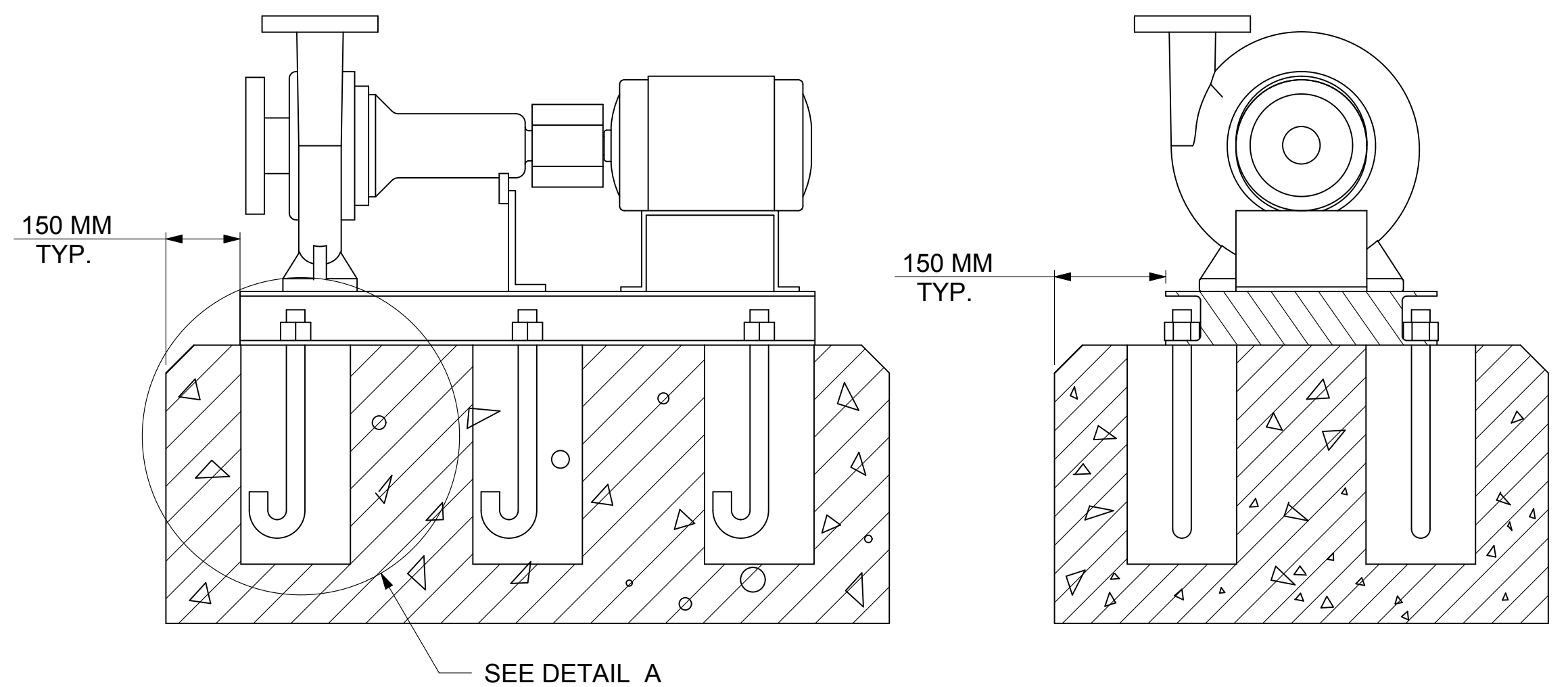


DIMENSIONS ARE SUBJECT TO CHANGE, NOT TO BE USED FOR CONSTRUCTION PURPOSES UNLESS CERTIFIED.

DIMENSIONS- Inches (mm)				STANDARD SEAL 1510, 1510-F														WEIGHT	OPERATING
MOTOR FRAME	MOTOR KW	MOTOR RPM	HA	HB	HC MAX	HD	2HE	HF1	HF2	HH	HL	HM MAX	HO	HP	Y	Z	kg. APPROX	kg. APPROX	
112M	4	1450	16 (406)	46-1/2 (1181)	36-1/8 (918)	15 (381)	14 (356)	36-1/2 (927)	18-1/4 (464)	7/8 (22)	4-9/16 (116)	19-1/2 (495)	25 (635)	5 (127)	6 (152)	7-1/2 (190)	233	291	
132S	5.5	1450	16 (406)	46-1/2 (1181)	39-1/8 (994)	15 (381)	14 (356)	36-1/2 (927)	18-1/4 (464)	7/8 (22)	4-9/16 (116)	20-7/8 (530)	25 (635)	5 (127)	6 (152)	7-1/2 (190)	279	349	
132M	7.5	1450	16 (406)	46-1/2 (1181)	40-5/8 (1032)	15 (381)	14 (356)	36-1/2 (927)	18-1/4 (464)	7/8 (22)	4-9/16 (116)	20-7/8 (530)	25 (635)	5 (127)	6 (152)	7-1/2 (190)	288	361	
160M	11	1450	16 (406)	46-1/2 (1181)	44-3/8 (1127)	15 (381)	14 (356)	36-1/2 (927)	18-1/4 (464)	7/8 (22)	4-9/16 (116)	21-7/8 (556)	25 (635)	5 (127)	6 (152)	7-1/2 (190)	352	440	



DEVIATION FOR LINEAR DIMENSIONS ARE AS PER IS:2102 VERY COARSE CLASS.

ABOVE	0.5	3	6	30	120	400	1000	2000
UP TO & INCLUDING	3	6	30	120	400	1000	2000	4000
VERY COARSE CLASS	± 0.5	± 1.0	± 1.5	± 2.5	± 4.0	± 6.0	± 8.0	

MAXIMUM WORKING PRESSURE 175 PSI (12 BAR)
FLANGE ARE 125# ANSI - STANDARD

FLANGE DIMENSIONS IN INCHES (MM)						
	SIZE	O.D.	THICKNESS	PCD	HOLE DIA.	NO OF HOLES
DISCHARGE	5	10.75 (273)	1.38 (35)	8.50 (216)	0.88 (22)	8
SUCTION	6	12.13 (308)	1.44 (37)	9.50 (241)	0.88 (22)	8

MAXIMUM WORKING PRESSURE 232 PSI (16 BAR)

FLANGE DIMENSIONS IN INCHES (MM)						
	SIZE	O.D.	THICKNESS	PCD	HOLE DIA.	NO OF HOLES
DISCHARGE	5	10.75 (273)	1.38 (35)	8.27 (210)	0.71 (18)	8
SUCTION	6	12.13 (308)	1.44 (37)	9.45 (240)	0.88 (22)	8

- NOTE :
- 1) THE FOUNDATION TO BE MADE OF CONCRETE ON SOLID GROUND.
 - 2) FOUNDATION BOLTS & PACKER PLATES TO BE GROUTED WITH QUICK SETTING NON-SHRINK GROUT ONLY.
 - 3) RECOMMENDED MAKE : ACC "SHRINKKOMP" / FORSORC "CONBEXTRA-GP2" OR EQUIVALENT BALANCE HOLLOW PORTION OF BASEFRAME TO BE GROUTED WITH PORTLAND CEMENT, SAND & AGGREGATE IN PROPORTION OF 1:2:2 GRAVEL SIZE SHOULD BE < 18 TO 20 MM. AFTER FINAL GROUTING ALL SURFACE SHOULD BE FINISHED WITH FINE PLASTER.
 - 4) THE FOUNDATION MUST BE ATLEAST 2.5 TIMES THE WEIGHT OF THE PUMP UNIT.
 - 5) FOUNDATION DETAILS ARE FOR REFERENCE ONLY, SHOULD BE CONSTRUCTED BY CUSTOMER AS PER SITE REQUIREMENT ONLY.
 - 6) PUMP SET IMAGE IS PROVIDED FOR DIMENSIONS REFERENCE ONLY AND IS NOT TO SCALE.

REVISION	DATE	BY	CHKD.	APP.	REVISION	DATE	BY	CHKD.	APP.
03					MAXIMUM WORKING PRESSURE DETAIL CHANGED	09/06/14	VP	DJ	KS
02					FLANGE DETAIL ADDED	02/04/14	VP	DJ	KS
01					FOUNDATION DETAILS ADDED	28/02/13	DJ	NP	KS
00					ORIGINAL RELEASE	16/08/12	NP	DJ	KS

1510 5BC MODEL										DWG NO. 1510-5BC		THIRD ANGLE PROJECTION	
DWN.	DATE	CHKD.	DATE	SCALE	TOLERANCES UNLESS OTHERWISE SPECIFIED:					XYLEM			
NP	16/08/12	DJ	16/08/12	NTS	XXXE	XXXE	XXXE	XXXE	ANGLE ±	FRAC ±	Xylem Water Solutions India Private Limited Plot No. 731, GIDC Savli, Manjusr, Savli Road, Vadodra-391 770, Gujarat, India. Tel : +91 2667 265800.		