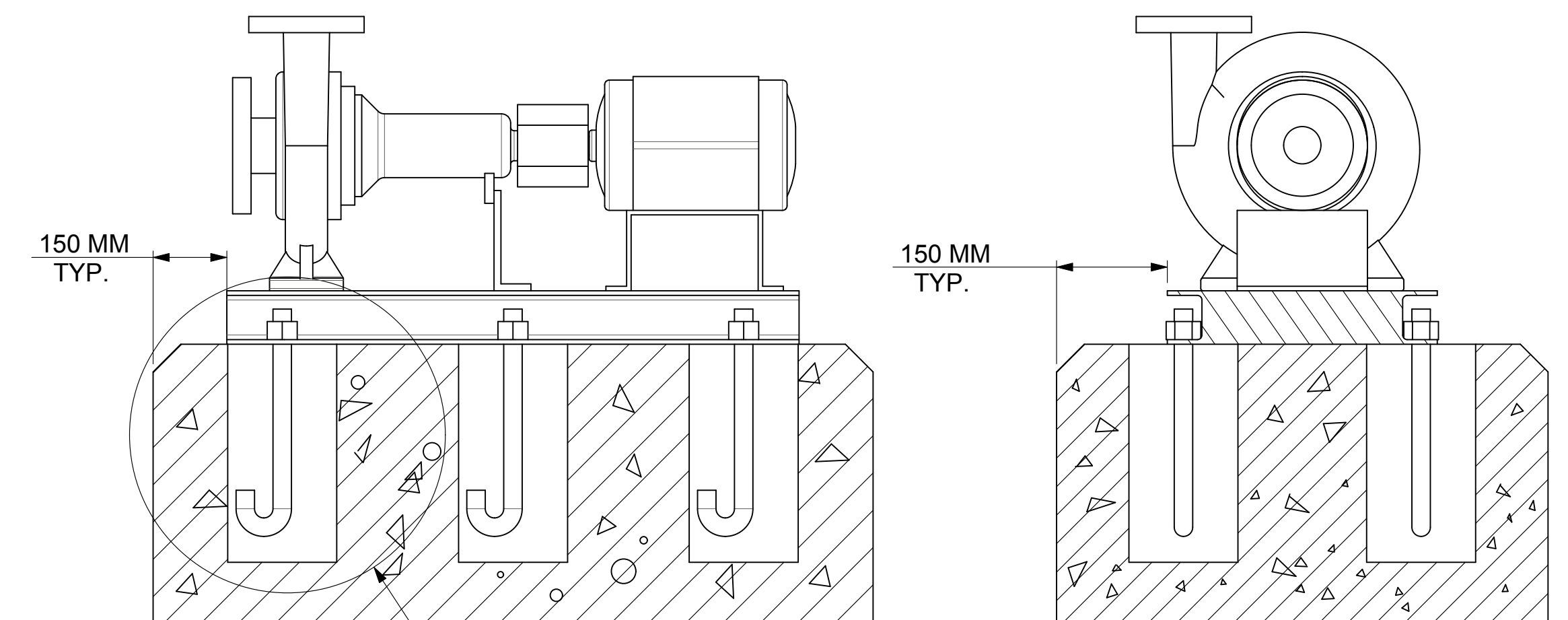


DIMENSIONS ARE SUBJECT TO CHANGE, NOT TO BE USED FOR CONSTRUCTION PURPOSES UNLESS CERTIFIED.

DIMENSIONS- Inches (mm)						STANDARD SEAL 1510, 1510-F														WEIGHT kg. APPROX	OPERATING WEIGHT kg. APPROX
MOTOR FRAME	MOTOR KW	MOTOR RPM	HA	HB	HC MAX	HD	2HE	HF1	HF2	HH	HL	HM MAX	HO	HP	Y	Z	F				
112M	4	1450	16 (406)	42-1/4 (1073)	34-1/2 (876)	14 (356)	14 (356)	32-1/4 (819)	16-1/8 (410)	7/8 (22)	6-11/16 (170)	18-1/2 (470)	23-3/4 (603)	5 (127)	5-9/16 (141)	7-1/4 (184)	3/4 (19)	216	271		
132S	5.5	1450	16 (406)	42-1/4 (1073)	37-1/2 (952)	14 (356)	14 (356)	32-1/4 (819)	16-1/8 (410)	7/8 (22)	6-11/16 (170)	19-7/8 (505)	23-3/4 (603)	5 (127)	5-9/16 (141)	7-1/4 (184)	3/4 (19)	249	311		
132M	7.5	1450	16 (406)	42-1/4 (1073)	39 (991)	14 (356)	14 (356)	32-1/4 (819)	16-1/8 (410)	7/8 (22)	6-11/16 (170)	19-7/8 (505)	23-3/4 (603)	5 (127)	5-9/16 (141)	7-1/4 (184)	3/4 (19)	259	323		
160M	11	1450	16 (406)	42-1/4 (1073)	42-3/4 (1086)	14 (356)	14 (356)	32-1/4 (819)	16-1/8 (410)	7/8 (22)	6-11/16 (170)	20-7/8 (530)	23-3/4 (603)	5 (127)	5-9/16 (141)	7-1/4 (184)	3/4 (19)	306	382		
180M	22	2900	16 (406)	51-3/4 (1314)	49-1/8 (1248)	14 (356)	14 (356)	41-3/4 (1060)	20-7/8 (530)	7/8 (22)	4-5/16 (110)	22 (559)	23-3/4 (603)	5 (127)	5-9/16 (141)	7-1/4 (184)	3/4 (19)	391	489		
200L	30	2900	16 (406)	51-3/4 (1314)	51-1/8 (1299)	15 (381)	14 (356)	41-3/4 (1060)	20-7/8 (530)	7/8 (22)	4-5/16 (110)	23-1/8 (587)	24-3/4 (629)	5 (127)	5-9/16 (141)	7-1/4 (184)	3/4 (19)	509	636		
200L	37	2900	16 (406)	51-3/4 (1314)	52-5/8 (1337)	15 (381)	14 (356)	41-3/4 (1060)	20-7/8 (530)	7/8 (22)	4-5/16 (110)	23-1/8 (587)	24-3/4 (629)	5 (127)	5-9/16 (141)	7-1/4 (184)	3/4 (19)	509	636		
225M	45	2900	24 (610)	56 (1422)	55-1/8 (1400)	16-1/2 (419)	21-1/2 (546)	44 (1118)	22 (559)	1 (25)	4-15/16 (125)	26-3/4 (679)	26-1/4 (667)	6 (152)	5-9/16 (141)	7-1/4 (184)	7/8 (22)	689	861		
250M	55	2900	24 (610)	56 (1422)	57-3/8 (1457)	16-1/2 (419)	21-1/2 (546)	44 (1118)	22 (559)	1 (25)	4-15/16 (125)	28-3/8 (721)	26-1/4 (667)	6 (152)	5-9/16 (141)	7-1/4 (184)	7/8 (22)	751	938		



SEE DETAIL A

DEVIATION FOR LINEAR DIMENSIONS ARE AS PER IS:2102 VERY COARSE CLASS.

	0.5	3	6	30	120	400	1000	2000
ABOVE	0.5	3	6	30	120	400	1000	2000
UP TO & INCLUDING	3	6	30	120	400	1000	2000	4000
VERY COARSE CLASS	—	± 0.5	± 1.0	± 1.5	± 2.5	± 4.0	± 6.0	± 8.0

MAXIMUM WORKING PRESSURE 175 PSI (12 BAR)
FLANGE ARE 125# ANSI - STANDARD

FLANGE DIMENSIONS IN INCHES (MM)						
	SIZE	O.D.	THICKNESS	PCD	HOLE DIA.	NO OF HOLES
DISCHARGE	4	9.50 (241)	1.25 (32)	7.5 (191)	0.75 (19)	8
SUCTION	5	10.75 (273)	1.38 (35)	8.50 (216)	0.88 (22)	8

MAXIMUM WORKING PRESSURE 232 PSI (16 BAR)

FLANGE DIMENSIONS IN INCHES (MM)						
	SIZE	O.D.	THICKNESS	PCD	HOLE DIA.	NO OF HOLES
DISCHARGE	4	9.50 (241)	1.25 (32)	7.08 (180)	0.71 (18)	8
SUCTION	5	10.75 (273)	1.38 (35)	8.27 (210)	0.71 (18)	8

- NOTE :
- 1) THE FOUNDATION TO BE MADE OF CONCRETE ON SOLID GROUND.
 - 2) FOUNDATION BOLTS & PACKER PLATES TO BE GROUTED WITH QUICK SETTING NON-SHRINK GROUT ONLY.
 - 3) RECOMMENDED MAKE : ACC "SHRINKKOMP" / FORSORC "CONBEXTRA-GP2" OR EQUIVALENT BALANCE HOLLOW PORTION OF BASEFRAME TO BE GROUTED WITH PORTLAND CEMENT, SAND & AGGREGATE IN PROPORTION OF 1:2:2 GRAVEL SIZE SHOULD BE < 18 TO 20 MM. AFTER FINAL GROUTING ALL SURFACE SHOULD BE FINISHED WITH FINE PLASTER.
 - 4) THE FOUNDATION MUST BE ATLEAST 2.5 TIMES THE WEIGHT OF THE PUMP UNIT.
 - 5) FOUNDATION DETAILS ARE FOR REFERENCE ONLY, SHOULD BE CONSTRUCTED BY CUSTOMER AS PER SITE REQUIREMENT ONLY.
 - 6) PUMP SET IMAGE IS PROVIDED FOR DIMENSIONS REFERENCE ONLY AND IS NOT TO SCALE.

REVISION										REVISION									
NO.	DATE	BY	CHKD.	APP.	NO.	DATE	BY	CHKD.	APP.	NO.	DATE	BY	CHKD.	APP.	NO.	DATE	BY	CHKD.	APP.
06	13/12/16	VP	KS	KS	02	02/04/14	VP	DJ	KS	03	09/08/14	VP	DJ	KS	01	12/02/13	DJ	NP	KS
05	03/08/16	VP	KS	KS	01	12/02/13	DJ	NP	KS	00	16/08/12	NP	DJ	KS					
04	12/03/15	VP	DJ	KS	00	16/08/12	NP	DJ	KS										

1510 4E MODEL										DWG. NO. 1510-4E		THIRD ANGLE PROJECTION	
TITLE										DWG. NO.		THIRD ANGLE PROJECTION	
1510 4E MODEL										1510-4E		THIRD ANGLE PROJECTION	
MATERIAL										SCALE		DATE	
1510 4E MODEL										SCALE		DATE	
1510 4E MODEL										SCALE		DATE	
1510 4E MODEL										SCALE		DATE	
SUPPORT FOOT MOUNTING DIRECTION CHANGED										16/08/12		16/08/12	
HD & HO DIMENSIONS REVISED FOR 45 & 55 KW										16/08/12		16/08/12	
16 BAR & GENERAL TOLERANCE DETAILS ADDED										16/08/12		16/08/12	
ORIGINAL RELEASE										16/08/12		16/08/12	

THIS DRAWING AND THE INFORMATION DEPICTED THEREIN IS THE PROPERTY OF XYLEM. COPIES ARE ISSUED IN STRICT CONFIDENCE AND SHALL NOT BE REPRODUCED OR COPIED, OR USED AS THE BASIS FOR THE MANUFACTURE OR SALE OF PRODUCTS WITHOUT PRIOR WRITTEN PERMISSION OF XYLEM.

xylem Xylem Water Solutions India Private Limited
Plot No. 731, GIDC Savli, Manjar, Savli Road, Vasodara-381 770, Gujarat, India.
Tel : +91 2667 265800.