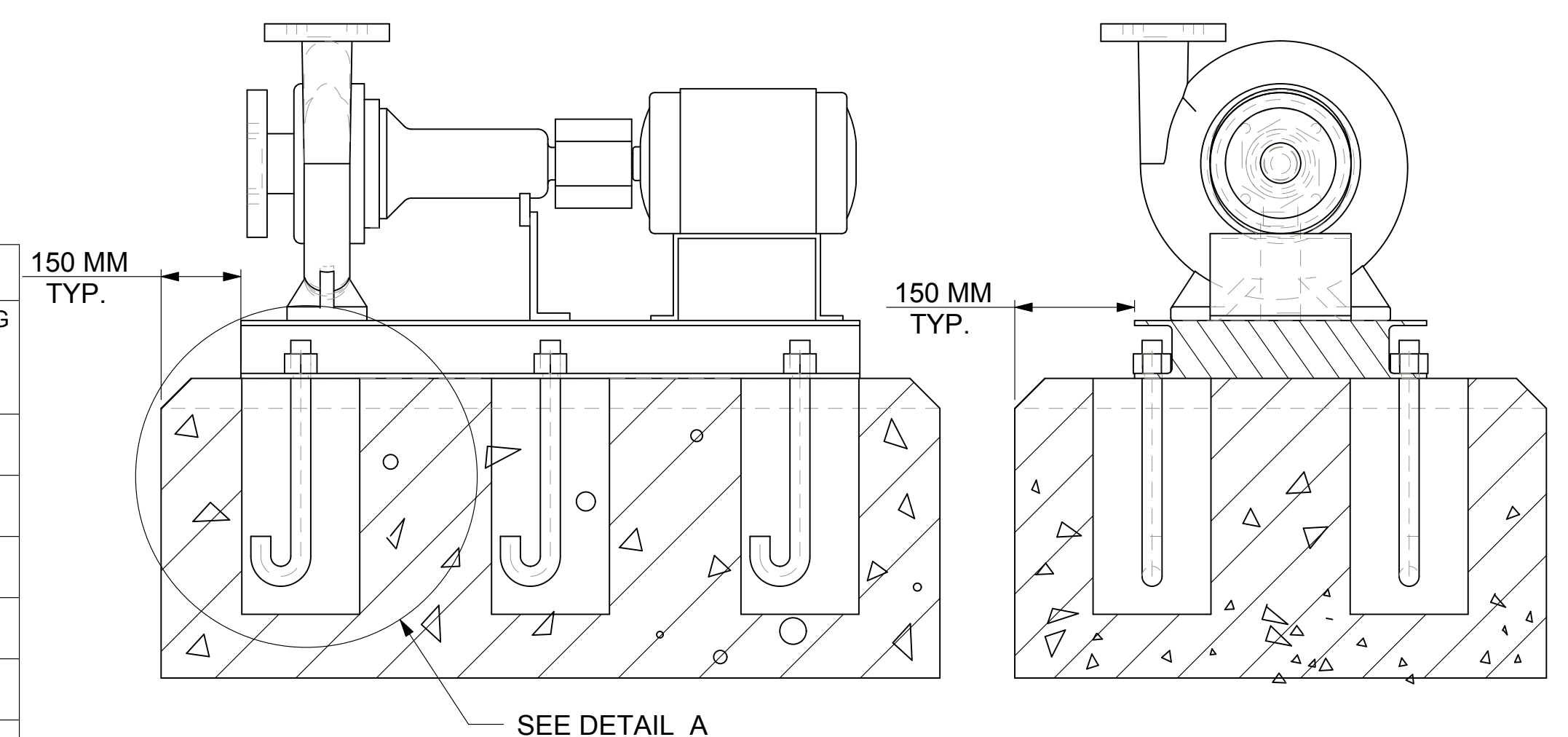


DIMENSIONS ARE SUBJECT TO CHANGE, NOT TO BE USED FOR CONSTRUCTION PURPOSES UNLESS CERTIFIED.

DIMENSIONS- Inches (mm)			STANDARD SEAL 1510, 1510-F																	WEIGHT KG. APPROX.	OPERATING WEIGHT KG APPROX
MOTOR FRAME	MOTORKW	MOTOR RPM	HA	HB	HC MAX	HD	2HE	HF1	HF2	HH	HL	HM MAX	HO	HP	Y	Z	F				
100L	2.2	1450	14-5/8 (371)	31(787)	33-3/4 (857)	12-3/4 (324)	12-7/8 (327)	25(635)	---	3/4(19)	4(102)	17-3/8 (441)	20-3/4 (527)	3(76)	5(127)	7(178)	5/8 (16)	166	207		
112M	4	1450	14-5/8 (371)	34-5/8 (879)	35-3/4 (883)	12-3/4 (324)	12-7/8 (327)	28-5/8 (727)	---	3/4(19)	4(102)	18-5/8 (473)	20-3/4 (527)	3(76)	5(127)	7(178)	5/8 (16)	176	219		
132S	5.5	1450	14-5/8 (371)	34-5/8 (879)	37-3/4 (959)	12-3/4 (324)	12-7/8 (327)	28-5/8 (727)	---	3/4(19)	4(102)	18-5/8 (473)	20-3/4 (527)	3(76)	5(127)	7(178)	5/8 (16)	230	287		
132M	7.5	1450	14-5/8 (371)	34-5/8 (879)	39-1/4 (997)	12-3/4 (324)	12-7/8 (327)	28-5/8 (727)	---	3/4(19)	4(102)	18-5/8 (473)	20-3/4 (527)	3(76)	5(127)	7(178)	5/8 (16)	239	299		
160L	18.5	2900	16(406)	46-1/2 (1181)	49-1/8 (1248)	14(356)	14(356)	36-1/2 (927)	18-1/4 (464)	7/8(22)	5-1/8(130)	20-7/8 (530)	22(559)	5(127)	5(127)	7(178)	3/4 (19)	333	416		
180M	22	2900	16(406)	51-3/4 (1314)	48-1/2 (1232)	15(381)	14(356)	41-3/4 (1060)	20-7/8 (530)	7/8(22)	5-1/8(130)	22(559)	23(584)	5(127)	5(127)	7(178)	7/8 (22)	380	476		
200L	30, 37	2900	24(610)	56(1422)	53-5/8 (1362)	16-1/2 (419)	21-1/2 (546)	44(1118)	22(559)	1(25)	5-1/8(130)	23-1/8 (587)	24-1/2 (622)	5(127)	5(127)	7(178)	7/8 (22)	520	650		
225M	45	2900	24(610)	56(1422)	55-7/8 (1419)	16-1/2 (419)	21-1/2 (546)	44(1118)	22(559)	1(25)	5-3/4(146)	26-3/4 (679)	24-1/2 (622)	6(152)	5(127)	7(178)	7/8 (22)	686	858		
250M	55	2900	24(610)	56(1422)	58-1/8 (1476)	16-1/2 (419)	21-1/2 (546)	44(1118)	22(559)	1(25)	5-3/4(146)	28-3/8 (721)	24-1/2 (622)	6(152)	5(127)	7(178)	7/8 (22)	759	948		



- NOTE :
- 1) THE FOUNDATION TO BE MADE OF CONCRETE ON SOLID GROUND.
 - 2) FOUNDATION BOLTS & PACKER PLATES TO BE GROUTED WITH QUICK SETTING NON-SHRINK GROUT ONLY.
 - 3) RECOMMENDED MAKE : ACC "SHRINKKOMP" / FORSORC "CONBEXTRA-GP2" OR EQUIVALENT BALANCE HOLLOW PORTION OF BASEFRAME TO BE GROUTED WITH PORTLAND CEMENT, SAND & AGGREGATE IN PROPORTION OF 1:2:2 GRAVEL SIZE SHOULD BE < 18 TO 20 MM. AFTER FINAL GROUTING ALL SURFACE SHOULD BE FINISHED WITH FINE PLASTER.
 - 4) THE FOUNDATION MUST BE ATLEAST 2.5 TIMES THE WEIGHT OF THE PUMP UNIT.
 - 5) FOUNDATION DETAILS ARE FOR REFERENCE ONLY, SHOULD BE CONSTRUCTED BY CUSTOMER AS PER SITE REQUIREMENT ONLY.
 - 6) PUMP SET IMAGE IS PROVIDED FOR DIMENSIONS REFERENCE ONLY AND IS NOT TO SCALE.

MAXIMUM WORKING PRESSURE 175 PSI (12 BAR)
FLANGE ARE 125# ANSI - STANDARD

FLANGE DIMENSIONS IN INCHES (MM)						
	SIZE	O.D.	THICKNESS	PCD	HOLE DIA.	NO OF HOLES
DISCHARGE	4	9 (229)	0.94 (24)	7.5 (191)	0.75 (19)	8
SUCTION	5	10.19 (259)	0.94 (24)	8.50 (216)	0.88 (22)	8

DEVIATION FOR LINEAR DIMENSIONS ARE AS PER IS:2102 VERY COARSE CLASS.

ABOVE	0.5	3	6	30	120	400	1000	2000
UP TO & INCLUDING	3	6	30	120	400	1000	2000	4000
VERY COARSE CLASS	---	± 0.5	± 1.0	± 1.5	± 2.5	± 4.0	± 6.0	± 8.0

REVISION		DATE	BY	CHKD.	APP.	REVISION		DATE	BY	CHKD.	APP.
03	GENERAL TOLERANCE DETAILS ADDED	13/03/15	VP	DJ	KS	02	FLANGE DETAIL ADDED	02/04/14	VP	DJ	KS
05	SUPPORT FOOT MOUNTING DIRECTION CHANGED	13/12/16	VP	KS	KS	01	FOUNDATION DETAILS ADDED	12/02/13	DJ	NP	KS
04	HD & HO DIMENSIONS REVISED FOR 30,37,45 & 55 KW	03/06/16	VP	KS	KS	00	ORIGINAL RELEASE	16/08/12	NP	DJ	KS

1510 4BC MODEL										DWG NO. 1510-4BC		THIRD ANGLE PROJECTION	
TITLE	MATL	DWN	DATE	CHKD.	DATE	SCALE	TOLERANCES UNLESS OTHERWISE SPECIFIED:				Xylem Water Solutions India Private Limited		
1510 4BC MODEL	---	NP	16/08/12	DJ	16/08/12	NTS	XXXE	XXXE	XXXE	XXXE	ANGLE ±	FRAC ±	Plot No. 731, GIDC Savli, Manjar, Savli Road, Vadodra-391 770, Gujarat, India. Tel : +91 2667 265800.