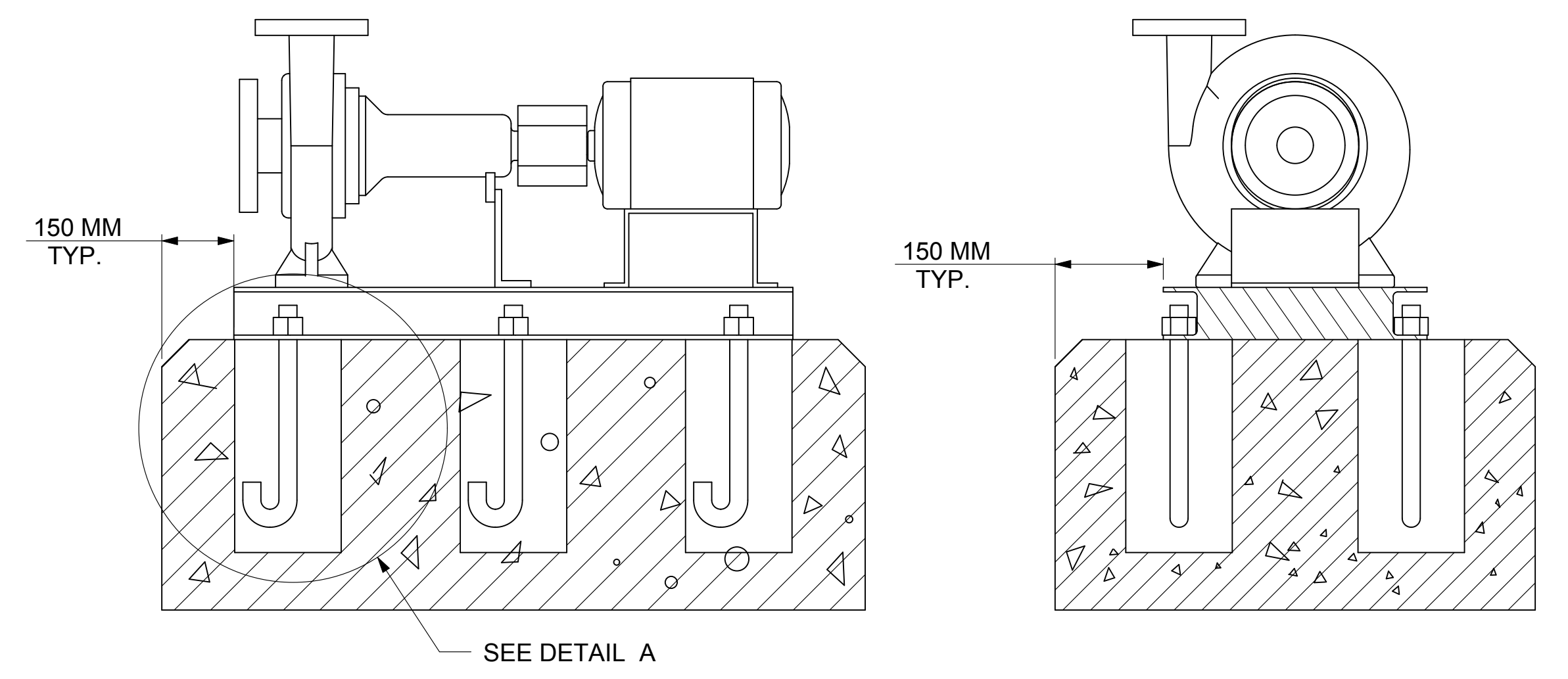


DIMENSIONS ARE SUBJECT TO CHANGE, NOT TO BE USED FOR CONSTRUCTION PURPOSES UNLESS CERTIFIED.

DIMENSIONS- Inches (mm)										STANDARD SEAL 1510, 1510-F										WEIGHT Kg. APPROX	OPERATING WEIGHT kg. APPROX
MOTOR FRAME	MOTOR KW	MOTOR RPM	HA	HB	HC MAX	HD	2HE	HF1	HF2	HH	HL	HM MAX	HO	HP	Y	Z	F				
80	0.75	1450	14-5/8 (371)	31 (787)	30-1/2 (775)	10-3/4 (273)	12-7/8 (327)	25 (635)	---	3/4 (19)	4-5/16 (110)	14-1/4 (362)	18-1/4 (464)	3 (76)	4-15/16 (125)	5-3/4 (146)	5/8 (16)	142	177		
90S	1.1	1450	14-5/8 (371)	31 (787)	32-1/8 (816)	10-3/4 (273)	12-7/8 (327)	25 (635)	---	3/4 (19)	4-5/16 (110)	14-1/2 (368)	18-1/4 (464)	3 (76)	4-15/16 (125)	5-3/4 (146)	5/8 (16)	148	185		
90L	1.5	1450	14-5/8 (371)	31 (787)	32-1/8 (816)	10-3/4 (273)	12-7/8 (327)	25 (635)	---	3/4 (19)	4-5/16 (110)	14-1/2 (368)	18-1/4 (464)	3 (76)	4-15/16 (125)	5-3/4 (146)	5/8 (16)	151	189		
100L	2.2	1450	14-5/8 (371)	31 (787)	34-3/4 (883)	10-3/4 (273)	12-7/8 (327)	25 (635)	---	3/4 (19)	4-5/16 (110)	16 (406)	18-1/4 (464)	3 (76)	4-15/16 (125)	5-3/4 (146)	5/8 (16)	169	211		
112M	4	1450	14-5/8 (371)	31 (787)	35-1/2 (902)	10-3/4 (273)	12-7/8 (327)	25 (635)	---	3/4 (19)	4-5/16 (110)	16 (406)	18-1/4 (464)	3 (76)	4-15/16 (125)	5-3/4 (146)	5/8 (16)	178	223		
132S	5.5	2900	14-5/8 (371)	39-3/8 (1000)	38-1/8 (968)	10-3/4 (273)	12-7/8 (327)	33-3/8 (848)	---	3/4 (19)	4-5/16 (110)	16 (406)	18-1/4 (464)	3 (76)	4-15/16 (125)	5-3/4 (146)	5/8 (16)	235	294		
132S	7.5	2900	14-5/8 (371)	39-3/8 (1000)	38-1/8 (968)	10-3/4 (273)	12-7/8 (327)	33-3/8 (848)	---	3/4 (19)	4-5/16 (110)	16-5/8 (422)	18-1/4 (464)	3 (76)	4-15/16 (125)	5-3/4 (146)	5/8 (16)	235	294		
160M	11, 15	2900	16 (406)	46-1/2 (1181)	47-3/4 (1213)	13 (330)	14 (356)	36-1/2 (927)	18-1/4 (464)	7/8 (22)	5-7/16 (138)	18-7/8 (479)	20-1/2 (521)	5 (127)	4-15/16 (125)	5-3/4 (146)	3/4 (19)	300	375		
160L	18.5	2900	16 (406)	46-1/2 (1181)	49-1/2 (1257)	13 (330)	14 (356)	36-1/2 (927)	18-1/4 (464)	7/8 (22)	5-7/16 (138)	21 (533)	20-1/2 (521)	5 (127)	4-15/16 (125)	5-3/4 (146)	3/4 (19)	322	402		
180M	22	2900	16 (406)	46-1/2 (1181)	48-3/4 (1238)	14 (356)	14 (356)	36-1/2 (927)	18-1/4 (464)	7/8 (22)	5-7/16 (138)	21 (533)	21-1/2 (546)	5 (127)	4-15/16 (125)	5-3/4 (146)	3/4 (19)	400	500		



DEVIATION FOR LINEAR DIMENSIONS ARE AS PER IS:2102 VERY COARSE CLASS.

CLASS	0.5	3	6	30	120	400	1000	2000
ABOVE	0.5	3	6	30	120	400	1000	2000
UP TO & INCLUDING	3	6	30	120	400	1000	2000	4000
VERY COARSE CLASS	± 0.5	± 1.0	± 1.5	± 2.5	± 4.0	± 6.0	± 8.0	

MAXIMUM WORKING PRESSURE 175 PSI ( 12 BAR)  
FLANGE ARE 125# ANSI - STANDARD

FLANGE DIMENSIONS IN INCHES (MM)						
	SIZE	O.D.	THICKNESS	PCD	HOLE DIA.	NO OF HOLES
DISCHARGE	4	9.50 (241)	1.25 (32)	7.5 (191)	0.75 (19)	8
SUCTION	5	10.75 (273)	1.38 (35)	8.50 (216)	0.88 (22)	8

MAXIMUM WORKING PRESSURE 232 PSI ( 16 BAR)

FLANGE DIMENSIONS IN INCHES (MM)						
	SIZE	O.D.	THICKNESS	PCD	HOLE DIA.	NO OF HOLES
DISCHARGE	4	9.50 (241)	1.25 (32)	7.08 (180)	0.71 (18)	8
SUCTION	5	10.75 (273)	1.38 (35)	8.27 (210)	0.71 (18)	8

- NOTE :
- 1) THE FOUNDATION TO BE MADE OF CONCRETE ON SOLID GROUND.
  - 2) FOUNDATION BOLTS & PACKER PLATES TO BE GROUTED WITH QUICK SETTING NON-SHRINK GROUT ONLY.
  - 3) RECOMMENDED MAKE : ACC "SHRINKKOMP" / FORSORC "CONBEXTRA-GP2" OR EQUIVALENT BALANCE HOLLOW PORTION OF BASEFRAME TO BE GROUTED WITH PORTLAND CEMENT, SAND & AGGREGATE IN PROPORTION OF 1:2:2 GRAVEL SIZE SHOULD BE < 18 TO 20 MM. AFTER FINAL GROUTING ALL SURFACE SHOULD BE FINISHED WITH FINE PLASTER.
  - 4) THE FOUNDATION MUST BE ATLEAST 2.5 TIMES THE WEIGHT OF THE PUMP UNIT.
  - 5) FOUNDATION DETAILS ARE FOR REFERENCE ONLY, SHOULD BE CONSTRUCTED BY CUSTOMER AS PER SITE REQUIREMENT ONLY.
  - 6) PUMP SET IMAGE IS PROVIDED FOR DIMENSIONS REFERENCE ONLY AND IS NOT TO SCALE.

03 MAXIMUM WORKING PRESSURE DETAIL CHANGED		09/06/14	VP	DJ	KS	1510 4AC MODEL				DWG NO. 1510-4AC		THIRD ANGLE PROJECTION
02 FLANGE DETAIL ADDED		02/04/14	VP	DJ	KS							
05 SUPPORT FOOT MOUNTING DIRECTION CHANGED		13/12/16	VP	KS	KS							
01 FOUNDATION DETAILS ADDED		12/02/13	DJ	NP	KS							
04 16 BAR & GENERAL TOLERANCE DETAILS ADDED		12/03/15	VP	DJ	KS							
00 ORIGINAL RELEASE		16/08/12	NP	DJ	KS							
TOLERANCES UNLESS OTHERWISE SPECIFIED: X.XE X.XXE XXXXE XXXXXE ANGLE± FRAC±												
xylem Xylem Water Solutions India Private Limited Plot No. 731, GIDC Savli, Manjar, Savli Road, Vadodra-391 770, Gujarat, India. Tel : +91 2667 265800.												