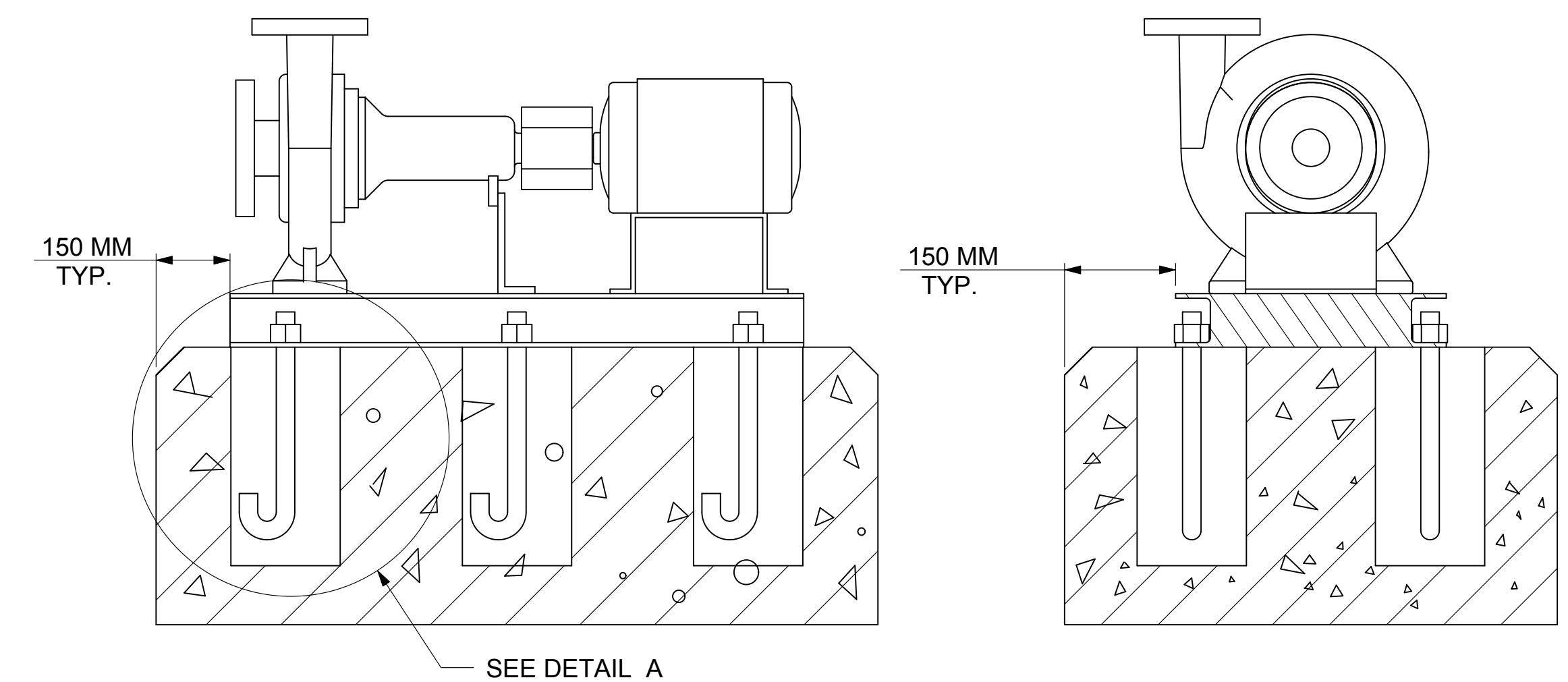


DIMENSIONS ARE SUBJECT TO CHANGE, NOT TO BE USED FOR CONSTRUCTION PURPOSES UNLESS CERTIFIED.

DIMENSIONS- Inches (mm)			STANDARD SEAL 1510, 1510-F																	WEIGHT Kg. APPROX	OPERATING WEIGHT kg. APPROX
MOTOR FRAME	MOTOR KW	MOTOR RPM	HA	HB	HC MAX	HD	2HE	HF1	HF2	HH	HL	HM MAX	HO	HP	Y	Z	F				
112M	4	1450	16 (406)	42-1/4 (1073)	34-7/8 (886)	14 (356)	14 (356)	32-1/4 (819)	16-1/8 (410)	7/8 (22)	6-11/16 (170)	19-1/4 (489)	23-1/2 (597)	5 (127)	5-1/2 (140)	7-3/8 (187)	3/4 (19)	200	250		
132S	5.5	1450	16 (406)	42-1/4 (1073)	37-3/8 (949)	14 (356)	14 (356)	32-1/4 (819)	16-1/8 (410)	7/8 (22)	6-11/16 (170)	19-7/8 (505)	23-1/2 (597)	5 (127)	5-1/2 (140)	7-3/8 (187)	3/4 (19)	233	291		
132M	7.5	1450	16 (406)	42-1/4 (1073)	38-7/8 (987)	14 (356)	14 (356)	32-1/4 (819)	16-1/8 (410)	7/8 (22)	6-11/16 (170)	19-7/8 (505)	23-1/2 (597)	5 (127)	5-1/2 (140)	7-3/8 (187)	3/4 (19)	242	303		
160M	11	1450	16 (406)	42-1/4 (1073)	42-5/8 (1083)	14 (356)	14 (356)	32-1/4 (819)	16-1/8 (410)	7/8 (22)	6-11/16 (170)	20-7/8 (530)	23-1/2 (597)	5 (127)	5-1/2 (140)	7-3/8 (187)	3/4 (19)	289	362		
180M	22	2900	16 (406)	51-3/4 (1314)	46-1/8 (1172)	14 (356)	14 (356)	41-3/4 (1060)	20-7/8 (530)	7/8 (22)	4-5/16 (110)	21-1/8 (536)	23-1/2 (597)	5 (127)	5-1/2 (140)	7-3/8 (187)	3/4 (19)	378	473		
200L	30	2900	16 (406)	51-3/4 (1314)	51 (1295)	15 (381)	14 (356)	41-3/4 (1060)	20-7/8 (530)	7/8 (22)	4-5/16 (110)	23-1/8 (587)	24-1/2 (622)	5 (127)	5-1/2 (140)	7-3/8 (187)	3/4 (19)	495	619		
200L	37	2900	16 (406)	51-3/4 (1314)	52-1/2 (1334)	15 (381)	14 (356)	41-3/4 (1060)	20-7/8 (530)	7/8 (22)	4-5/16 (110)	23-1/8 (587)	24-1/2 (622)	5 (127)	5-1/2 (140)	7-3/8 (187)	3/4 (19)	495	619		
225M	45	2900	24 (610)	56 (1422)	55 (1397)	16.5 (419)	21.5 (546)	44 (1118)	22 (559)	1 (25)	4-15/16 (125)	26-3/4 (679)	26 (660)	6 (152)	5-1/2 (140)	7-3/8 (187)	7/8 (22)	673	841		
250M	55	2900	24 (610)	56 (1422)	60 (1524)	16.5 (419)	21.5 (546)	44 (1118)	22 (559)	1 (25)	4-15/16 (125)	28-3/4 (731)	26 (660)	6 (152)	5-1/2 (140)	7-3/8 (187)	7/8 (22)	737	921		



DEVIATION FOR LINEAR DIMENSIONS ARE AS PER IS:2102 VERY COARSE CLASS.

	ABOVE	0.5	3	6	30	120	400	1000	2000
UP TO & INCLUDING	3	6	30	120	400	1000	2000	4000	
VERY COARSE CLASS	—	± 0.5	± 1.0	± 1.5	± 2.5	± 4.0	± 6.0	± 8.0	

MAXIMUM WORKING PRESSURE 175 PSI (12 BAR)
FLANGE ARE 125# ANSI - STANDARD

FLANGE DIMENSIONS IN INCHES (MM)						
	SIZE	O.D.	THICKNESS	PCD	HOLE DIA.	NO OF HOLES
DISCHARGE	3	8 (203)	1.13 (29)	6 (152)	0.75 (19)	4
SUCTION	4	9.50 (241)	1.25 (32)	7.5 (191)	0.75 (19)	8

MAXIMUM WORKING PRESSURE 232 PSI (16 BAR)

FLANGE DIMENSIONS IN INCHES (MM)						
	SIZE	O.D.	THICKNESS	PCD	HOLE DIA.	NO OF HOLES
DISCHARGE	3	8 (203)	1.12 (28)	6.3 (160)	0.71 (18)	8
SUCTION	4	9.50 (241)	1.25 (32)	7.09 (180)	0.71 (18)	8

NOTE :

- 1) THE FOUNDATION TO BE MADE OF CONCRETE ON SOLID GROUND.
- 2) FOUNDATION BOLTS & PACKER PLATES TO BE GROUTED WITH QUICK SETTING NON-SHRINK GROUT ONLY.
- 3) RECOMMENDED MAKE : ACC "SHRINKKOMP" / FORSORC "CONBEXTRA-GP2" OR EQUIVALENT HOLLOW PORTION OF BASEFRAME TO BE GROUTED WITH PORTLAND CEMENT, SAND & AGGREGATE IN PROPORTION OF 1:2:2 GRAVEL SIZE SHOULD BE < 18 TO 20 MM. AFTER FINAL GROUTING ALL SURFACE SHOULD BE FINISHED WITH FINE PLASTER.
- 4) THE FOUNDATION MUST BE ATLEAST 2.5 TIMES THE WEIGHT OF THE PUMP UNIT.
- 5) FOUNDATION DETAILS ARE FOR REFERENCE ONLY, SHOULD BE CONSTRUCTED BY CUSTOMER AS PER SITE REQUIREMENT ONLY.
- 6) PUMP SET IMAGE IS PROVIDED FOR DIMENSIONS REFERENCE ONLY AND IS NOT TO SCALE.

NO.	REVISION	DATE	BY	CHKD.	APP.	NO.	REVISION	DATE	BY	CHKD.	APP.
07	SUPPORT FOOT MOUNTING DIRECTION CHANGED	13/12/16	VP	KS	KS	03	MAXIMUM WORKING PRESSURE DETAIL CHANGED	09/06/14	VP	DJ	KS
06	HD & HO DIMENSIONS REVISED FOR 45 & 55 KW	03/08/16	VP	KS	KS	02	FLANGE DETAIL ADDED	02/04/14	VP	DJ	KS
05	16 BAR & GENERAL TOLERANCE DETAILS ADDED	12/03/15	VP	DJ	KS	01	FOUNDATION DETAILS ADDED	12/02/13	DJ	NP	KS
04	DETAILS ADDED FOR 11 KW RATING	25/11/14	VP	DJ	KS	00	ORIGINAL RELEASE	16/08/12	NP	DJ	KS

1510 3E MODEL										DWG NO. 1510-3E		THIRD ANGLE PROJECTION		
MATL	DWN	DATE	CKD.	DATE	SCALE	TOLERANCES UNLESS OTHERWISE SPECIFIED:				Xylem				
----	NP	16/08/12	DJ	16/08/12	NTS	XXXX	XXXX	XXXX	XXXX	ANGLE ±	FRAC ±	Xylem Water Solutions India Private Limited Plot No. 731, GIDC Savli, Manjar, Savli Road, Vardolara-391 770, Gujarat, India. Tel : +91 2667 265800.		