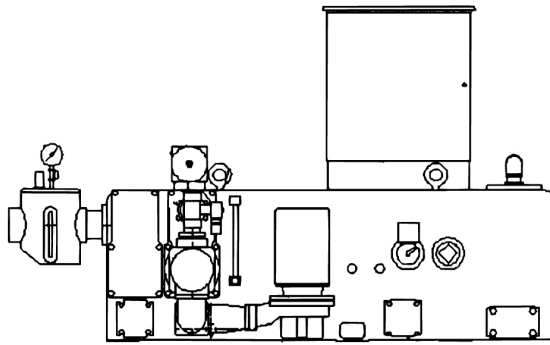
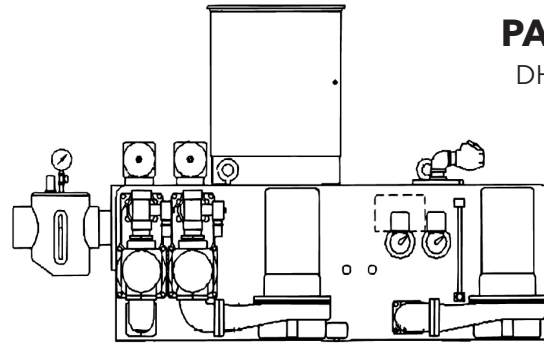


PART LISTS

DHP-320-PL-R3



SIMPLEX UNIT



DUPLEX UNIT

IMPORTANT

WHEN ORDERING REPLACEMENT PARTS OR MOTORS PLEASE FURNISH ALL NAMEPLATE DATA

SAFETY INSTRUCTION

CAUTION / DO NOT RUN DRY SEAL DAMAGE MAY OCCUR

Inspect pump seal regularly for leaks. Replace as required.

Failure to follow these instructions could result in injury or property damage.

CAUTION / DO NOT REVERSE

Reverse operation can cause extensive damage to pumps. Jog the motor to test for direction of rotation.

Failure to follow these instructions could result in injury or property damage.

- Pump models are noted on each unit nameplate and should be confirmed when using this Parts List. (Design changes may have affected pump selections.)
- For detailed pump parts information refer to current Series Centriflo / C17 & C35 Parts List.
- For units furnished with Consolitrol® Control Panel, consult the factory for detailed electrical information. Be sure to furnish all nameplate data. For detailed panel parts information, see current Control Panel Parts List.

Replacement Parts for

Series VL and HV Vacuum Heating Units

Single or Duplex 25,000 thru 65,000 sq. ft. EDR

EFFECTIVE JUNE 1, 2000 TO PRESENT



Bell & Gossett

a xylem brand

INDEX

How to use this PARTS LIST	page 3 & 4
25 VL & 25 HV SIMPLEX in 3500 RPM Standard Capacity	page 5
25 VL & 25 HV DUPLEX in 3500 RPM Standard Capacity	page 6
25 VL & 25 HV SIMPLEX in 3500 RPM Special Capacity	page 7
25 VL & 25 HV DUPLEX in 3500 RPM Special Capacity	page 8
25 VL & 25 HV SIMPLEX in 1750 RPM Standard Capacity	page 9
25 VL & 25 HV DUPLEX in 1750 RPM Standard Capacity	page 10
25 VL & 25 HV SIMPLEX in 1750 RPM Special Capacity	page 11
25 VL & 25 HV DUPLEX in 1750 RPM Special Capacity	page 12
30 VL & 30 HV SIMPLEX in 3500 RPM Standard Capacity	page 13
30 VL & 30 HV DUPLEX in 3500 RPM Standard Capacity	page 14
30 VL & 30 HV SIMPLEX in 3500 RPM Special Capacity	page 15
30 VL & 30 HV DUPLEX in 3500 RPM Special Capacity	page 16
30 VL & 30 HV SIMPLEX in 1750 RPM Standard Capacity	page 17
30 VL & 30 HV DUPLEX in 1750 RPM Standard Capacity	page 18
30 VL & 30 HV SIMPLEX in 1750 RPM Special Capacity	page 19
30 VL & 30 HV DUPLEX in 1750 RPM Special Capacity	page 20
40 VL & 40 HV SIMPLEX in 3500 RPM Standard Capacity	page 21
40 VL & 40 HV DUPLEX in 3500 RPM Standard Capacity	page 22
40 VL & 40 HV SIMPLEX in 1750 RPM Standard Capacity	page 23
40 VL & 40 HV DUPLEX in 1750 RPM Standard Capacity	page 24
40 VL & 40 HV SIMPLEX in 1750 RPM Special Capacity	page 25
40 VL & 40 HV DUPLEX in 1750 RPM Special Capacity	page 26
65 VL & 65 HV SIMPLEX in 1750 RPM Standard Capacity	page 27
65 VL & 65 HV DUPLEX in 1750 RPM Standard Capacity	page 28

Pump Identification tables

(provides Pump Size, HP, and Impeller diameter)

Replacement vacuum heating pumps for Standard Capacity Units	page 29
Replacement vacuum heating pumps for Special Capacity Units	page 30

Drawings

Detailed drawing of Simplex Units	page 31
Detailed drawing of Duplex Units	page 32
Cut away side view of vacuum producing area	page 33

HOW TO USE THIS PARTS LIST

The unit nameplate identifies the unit by Model Number and Serial Number. Pump combinations are noted in the section of the nameplate labeled "Pump" and the number designation refers to either a Series C-35™ or Series C-17™ Centriflo® Condensate Pump. All pump designation numbers 609 through 627 refer to pumps operating at 3500 RPM. All pump designation numbers 650 through 673 refer to pumps operating at 1750 RPM.

All model numbers identify the following information:

- Square Feet of EDR that the unit is rated for.
- Standard Capacity or Special Capacity
- Simplex or Duplex
- Unit rated discharge pressure
- Pump operating RPM

For example refer to the following model number.

25 VL S 2 - 20 - 35
a. b. c. d. e. f.

- a.** Denotes the Square Feet of EDR that the unit is rated for (in thousands). In this example the 25 denotes applications for ratings of 25,000 Sq. Ft. EDR.
- b.** Denotes the Series. VL units or HV units
- c.** Denotes Standard Capacity or Special Capacity. If the "S" is present the unit is a Special Capacity Unit. If no "S" is noted then the unit is a Standard Capacity Unit.
- d.** Denotes Simplex (i.e. 1 pump) or Duplex (i.e. 2 pumps)
- e.** Denotes the Discharge pressure the unit is rated for.
- f.** Denotes the motor(s) RPM's. 35 denotes 3500 RPM and 17 denotes 1750 RPM.

HOW TO USE THIS PARTS LIST (continued)

The following procedure is recommended for determining appropriate replacement parts.

1. By referring to the unit nameplate for the model number, use the index shown on page 2 to determine which parts selection page is appropriate to your unit.
2. Refer to the drawings shown on pages 31,32 & 33 to select items required. Pump parts are detailed in current Series Centriflo / C17 & C35 parts list.
3. Refer to the appropriate parts selection page to identify items by part number.

Replacement vacuum heating pump and motors should be ordered through your authorized ITT Domestic Pump representative to insure proper sizing. When requesting replacement pump and motors, please provide complete unit nameplate information and serial number to insure proper selections.

Recommended spare parts:

The following parts are considered to be recommended spare parts for all sizes of VL(S) / HV(S) units.

Gasket kit 180019 to facilitate unit inspection (1 for Simplex and 2 for Duplex units).

Multi-jet nozzle (see item 36 from appropriate pages).

Float Switch Seal Kit 180095 (1 required per float switch)

25 VL / 25 HV SIMPLEX STANDARD CAPACITY - 3500 RPM

Item #	Description	Part number			Qty
		20 PSI	30PSI	40PSI	
1	RECEIVER ,	DR0274	DR0274	DR0274	1
3	3" INLET BASKET STRAINER ASSEM.	DA0182	DA0182	DA0182	1
3a	STRAINER SCREEN ONLY	DA0018	DA0018	DA0018	1
3b	STRAINER COVER GASKET	DG0160	DG0160	DG0160	1
3c	NIPPLE STD 3NPTX4LG	DL0153	DL0153	DL0153	1
5	COMPOUND GAUGE	DA0114	DA0114	DA0114	1
5a	GAGE COCK 1/4FPT	DV0325	DV0325	DV0325	1
6	VACUUM BREAKER 3/4IN #26	DA0061	DA0061	DA0061	1
7	ANGLE THERMOMETER	DA0104	DA0104	DA0104	1
8a	VALVE SET 5/8 WATER	DV0342	DV0342	DV0342	1
8b	GAUGE GLASS 5/8X9	DV0347	DV0347	DV0347	1
8c	GUARD ROD 3/16DIA X 11	DV0367	DV0367	DV0367	2
10	VACUUM SWITCH (SIMPLEX)	DE0988	DE0988	DE0988	1
12	FLOAT SWITCH ASSEMBLY	DA0393	DA0393	DA0393	1
12a	FLOAT BALL ONLY	DA0165	DA0165	DA0165	1
12b	FLOAT SWITCH SEAL KIT	180095	180095	180095	1
13	COPPER TUBING	X42104	X42104	X42104	4
17	SWING CHECK VALVE	DV1084	DV1084	DV1084	1
19	LIFTING EYE	DJ0321	DJ0321	DJ0321	2
21	COVER PLATE DISCH MAN	DA0150	DA0150	DA0150	1
21a	GASKET, DRAIN COVER FLAN	DG0127	DG0127	DG0127	1
22	ELBOW 90 STREET-1/4NPT	DF0167	DF0167	DF0167	1
23	FLANGE BLIND	DF0210	DF0210	DF0210	3
23a	FLANGE GASKET	DG0060	DG0060	DG0060	4
24	PLATE AIR VENT	DL0600	DL0600	DL0600	1
24a	GASKET, HOUSING	DG0135	DG0135	DG0135	1
25	DISCHARGE MANIFOLD BODY	DL1471	DL1471	DL1471	1
25a	GASKET, NOZ BODY DISCH M	DG0151	DG0151	DG0151	1
26	NOZZLE BODY COVER PLATE	DL1480	DL1480	DL1480	1
27	COVER PLATE MANIFOLD ,	DL1738	DL1738	DL1738	2
29	BUSHING	DF0040	DF0040	DF0040	1
30	NIPPLE	DL0113	DL0113	DL0113	1
31	DIS. SOLENOID VALVE (115v)	DE1859	DE1859	DE1859	1
	--OR--				
31	DIS. SOLENOID VALVE (208v / 230v)	DE1860	DE1860	DE1860	1
32	DIN CONNECTOR	DE1645	DE1645	DE1645	1
33	CHECK VALVE ASM3 IN	DV0083	DV0083	DV0083	1
33a	CHECK VALVE FACING ONLY	DV0072	DV0072	DV0072	1
34	INSERT MANIFOLD LG	DL1702	DL1702	DL1702	1
	GASKET, NOZZLE BODY 30-7	DG0154	DG0154	DG0154	2
35	NOZZLE BODY	DL1437	DL1436	DL1436	1
36	NOZZLE	DL1342	DL1362	DL1365	1
37	VENTURI	DL1194	DL1115	DL1114	1
38	MANIFOLD EL 90 RED. 3X2I	DL1710	DL1710	DL1710	1
38a	GASKET, MANIFOLD ELBOW	DG0141	DG0141	DG0141	1
39	MANIFOLD EL 90 STR 3IN	DL1706	DL1706	DL1706	1
27a & 39a & b	GASKET, MANIFOLD FLANGE	DG0142	DG0142	DG0142	4
40	NOZZLE RETAINING RING (or Ret. Screw)	DL1486	(P03840)	(P03840)	1

FASTENER INFORMATION

Where used	Description	Part number	Part number	Part number	Qty / unit
	CONN MALE STR 1/4OD X 1,	DF0506	DF0506	DF0506	1
	CONN MALE STR 1/4OD X 1,	DF0510	DF0510	DF0510	1
	ELBOW 90 MALE 1/4OD X 1,	DF0511	DF0511	DF0511	1
10	CAPSCREW HEX HD1/4-20UNC	DJ0023	DJ0023	DJ0023	2
37	CAPSCREW HEX HD5/16-18NC	DJ0031	DJ0031	DJ0031	2
26	CAPSCREW HEX HD3/8-16UNC	DJ0063	DJ0063	DJ0063	4
25	CAPSCREW HEX HD3/8-16UNC	DJ0066	DJ0066	DJ0066	12
33	NUT HEX STD 5/16-18UN	DJ0226	DJ0226	DJ0226	4
37	WASHER HOLDING 11/32IDX1	DJ0277	DJ0277	DJ0277	2
35	STUD BOLT 3/8-16UNX1-7/1	DJ0471	DJ0471	DJ0471	20
24	STUD BOLT 3/8-16UNX1-13/	DJ0472	DJ0472	DJ0472	4
Pump Mounting	STUD PUMP CASE 1/2-13NCX,	DJ0478	DJ0478	DJ0478	16
obs	NIPPLE STD 1/4NPTX1-	DL0021	DL0021	DL0021	1
5	NIPPLE STD 1/4NPTX1-1/2	DL0022	DL0022	DL0022	1
obs	NIPPLE STD 1-1/4NPTX,	DL0097	DL0097	DL0097	1
33	STUD VLV SEAT 5/16DIA X 1-3/16	DV0032	DV0032	DV0032	4
1	PLUG EQUALIZINGA711-8235,	DV1149	DV1149	DV1149	1
28	PLUG SQ HD 2-1/2NPT ,	F12200	F12200	F12200	1
1	PLUG SQ HD 1/2NPT ,	H47900	H47900	H47900	1
1	PLUG HEX HD 1/8NPT ,	P39020	P39020	P39020	1
1	PLUG HEX HD 1/4NPT ,	P39040	P39040	P39040	5
24,38,38,39	NUT HX STD 3/8-16UNC,	P52380	P52380	P52380	24
	ELBOW MALE COMP 3/8OD X 1/4 MPT	S41800	S41800	S41800	1
1	PLUG SQ HD 1NPT ,	U19200	U19200	U19200	2
Pump Mounting	NUT HEX LGT 1/2-13UNC,	F11400	F11400	F11400	16
38 & 39	CAPSCREW HEX HD5/16-18UN	DJ0034	DJ0034	DJ0034	4
38 & 39	CAPSCREW,HEX HD 3/8-16NC	H52100	H52100	H52100	4
38 & 39	NUT HX STD 3/8-16UNC	P52380	P52380	P52380	4

Complete gasket kit - part number 180019

25 VL / 25 HV DUPLEX STANDARD CAPACITY - 3500 RPM

Item #	Description	Part number			Qty
		20 PSI	30PSI	40PSI	
1	RECEIVER ,	DR0274	DR0274	DR0274	1
4	3" INLET BASKET STRAINER ASSEM.	DA0182	DA0182	DA0182	1
4a	STRAINER SCREEN ONLY	DA0018	DA0018	DA0018	1
4b	STRAINER COVER GASKET	DG0160	DG0160	DG0160	1
4c	NIPPLE STD 3NPTX4LG	DL0153	DL0153	DL0153	1
6	COMPOUND GAUGE	DA0114	DA0114	DA0114	1
6a	GAGE COCK 1/4FPT	DV0325	DV0325	DV0325	1
7	VACUUM BREAKER 3/4IN #26	DA0061	DA0061	DA0061	1
8	ANGLE THERMOMETER	DA0104	DA0104	DA0104	1
9a	VALVE SET 5/8 WATER	DV0342	DV0342	DV0342	1
9b	GAUGE GLASS 5/8X9	DV0347	DV0347	DV0347	1
9c	GUARD ROD 3/16DIA X 11	DV0367	DV0367	DV0367	2
11 & 12	VACUUM SWITCH (DUPLEX)	DE0987	DE0987	DE0987	2
14	FLOAT SWITCH ASSEMBLY	DA0393	DA0393	DA0393	2
14a	FLOAT BALL ONLY	DA0165	DA0165	DA0165	2
14b	FLOAT SWITCH SEAL KIT	180095	180095	180095	2
16	COPPER TUBING	X42104	X42104	X42104	8
17 & 19	DIS. SOLENOID VALVE (115v)	DE1859	DE1859	DE1859	2
	--OR--				
17 & 19	DIS. SOLENOID VALVE (208v / 230v)	DE1860	DE1860	DE1860	2
22	SWING CHECK VALVE	DV1084	DV1084	DV1084	1
24	LIFTING EYE	DJ0321	DJ0321	DJ0321	2
26	COVER PLATE DISCH MAN	DA0150	DA0150	DA0150	2
26a	GASKET, DRAIN COVER FLAN	DG0127	DG0127	DG0127	2
27	ELBOW 90 STREET1-1/4NPT	DF0167	DF0167	DF0167	1
28	FLANGE BLIND	DF0210	DF0210	DF0210	2
28a	FLANGE GASKET	DG0060	DG0060	DG0060	4
29	BUSHING	DF0040	DF0040	DF0040	2
30	NIPPLE	DL0113	DL0113	DL0113	2
32	DIN CONNECTOR	DE1645	DE1645	DE1645	2
33	CHECK VALVE ASM3 IN ,	DV0083	DV0083	DV0083	2
33a	CHECK VALVE FACING ONLY	DV0072	DV0072	DV0072	2
34	INSERT MANIFOLD LG ,	DL1702	DL1702	DL1702	2
35a	GASKET, NOZZLE BODY 30-7	DG0154	DG0154	DG0154	2
35	NOZZLE BODY	DL1437	DL1436	DL1436	2
36	NOZZLE	DL1342	DL1362	DL1365	2
37	VENTURI	DL1194	DL1115	DL1114	2
38	MANIFOLD EL 90 RED. 3X2I	DL1710	DL1710	DL1710	1
38a	GASKET, MANIFOLD ELBOW	DG0141	DG0141	DG0141	2
39	MANIFOLD EL 90 STR 3IN	DL1706	DL1706	DL1706	1
27,39,41	GASKET, MANIFOLD FLANGE	DG0142	DG0142	DG0142	5
40	NOZZLE RETAINING RING (or Ret. Screw)	DL1486	(P03840)	(P03840)	2
41	MANIFOLD ELBOW	DL1712	DL1712	DL1712	1
42	MANIFOLD ELBOW	DL1744	DL1744	DL1744	1
43	PLATE AIR VENT ,	DL0600	DL0600	DL0600	1
43a	GASKET, HOUSING	DG0135	DG0135	DG0135	1
44	DISCHARGE MANIFOLD BODY	DL1471	DL1471	DL1471	2
44a	GASKET, NOZ BODY DISCH M	DG0151	DG0151	DG0151	2

FASTENER INFORMATION

Where used	Description	Part number			Qty / unit
		20 PSI	30 PSI	40 PSI	
11 & 12	CONN MALE STR 1/4OD X 1,	DF0506	DF0506	DF0506	2
11 & 12	TEE MALE RUN	DF0509	DF0509	DF0509	1
obs	ELBOW 90 MALE 1/4OD X 1,	DF0511	DF0511	DF0511	2
11 & 12	CAPSCREW HEX HD1/4-20UNC	DJ0023	DJ0023	DJ0023	4
37	CAPSCREW HEX HD5/16-18NC	DJ0031	DJ0031	DJ0031	4
35	CAPSCREW HEX HD3/8-16UNC	DJ0063	DJ0063	DJ0063	8
44	CAPSCREW HEX HD3/8-16UNC	DJ0066	DJ0066	DJ0066	24
33	NUT HEX STD 5/16-18UN	DJ0226	DJ0226	DJ0226	8
37	WASHER HOLDING 11/32IDX1	DJ0277	DJ0277	DJ0277	4
35	STUD BOLT 3/8-16UNX1-7/1	DJ0471	DJ0471	DJ0471	20
43	STUD BOLT 3/8-16UNX1-13/	DJ0472	DJ0472	DJ0472	4
Pump Mounting	STUD PUMP CASE 1/2-13NCX,	DJ0478	DJ0478	DJ0478	16
obs	NIPPLE STD 1/4NPTX1-,	DL0021	DL0021	DL0021	2
6	NIPPLE STD 1/4NPTX1-1/2	DL0022	DL0022	DL0022	1
obs	NIPPLE STD 1-1/4NPTX,	DL0097	DL0097	DL0097	1
11,12,14	NIPPLE, RIGID	DE1591	DE1591	DE1591	1
11,12,14	NIPPLE, RIGID	DE1592	DE1592	DE1592	1
11,12,14	NIPPLE, RIGID	DE0570	DE0570	DE0570	1
	LOCK NUT/ RIGID	P34460	P34460	P34460	12
	NIPPLE, STD	J89374	J89374	J89374	2
33	STUD VLV SEAT 5/16DIA X 1-3/16	DV0032	DV0032	DV0032	8
1	PLUG EQUALIZINGA711-8235,	DV1149	DV1149	DV1149	1
1	PLUG SQ HD 1/2NPT ,	H47900	H47900	H47900	1
1	PLUG HEX HD 1/4NPT ,	P39040	P39040	P39040	4
38,38,39,40	NUT HX STD 3/8-16UNC,	P52380	P52380	P52380	24
	ELBOW MALE COMP 3/8OD X 1/4 MPT	S41800	S41800	S41800	2
1	PLUG SQ HD 1NPT	U19200	U19200	U19200	2
Pump Mounting	NUT HEX LGT 1/2-13UNC,	F11400	F11400	F11400	16
38 & 39	CAPSCREW HEX HD5/16-18UN	DJ0034	DJ0034	DJ0034	8
38 & 39	CAPSCREW,HEX HD 3/8-16NC	H52100	H52100	H52100	4
38 & 39	NUT HX STD 3/8-16UNC	P52380	P52380	P52380	4

Complete gasket kit - part number 180019 (qty 2 required)

25 VLS / 25 HVS SIMPLEX SPECIAL CAPACITY -3500 RPM

Item #	Description	Part number			Qty
		20 PSI	30PSI	40PSI	
1	RECEIVER ,	DR0274	DR0274	DR0274	1
3	3" INLET BASKET STRAINER ASSEM.	DA0182	DA0182	DA0182	1
3a	STRAINER SCREEN ONLY	DA0018	DA0018	DA0018	1
3b	STRAINER COVER GASKET	DG0160	DG0160	DG0160	1
3c	NIPPLE STD 3NPTX4LG	DL0153	DL0153	DL0153	1
5	COMPOUND GAUGE	DA0114	DA0114	DA0114	1
5a	GAGE COCK 1/4FPT	DV0325	DV0325	DV0325	1
6	VACUUM BREAKER 3/4IN #26	DA0061	DA0061	DA0061	1
7	ANGLE THERMOMETER	DA0104	DA0104	DA0104	1
8a	VALVE SET 5/8 WATER	DV0342	DV0342	DV0342	1
8b	GAUGE GLASS 5/8X9	DV0347	DV0347	DV0347	1
8c	GUARD ROD 3/16DIA X 11	DV0367	DV0367	DV0367	2
10	VACUUM SWITCH (SIMPLEX)	DE0988	DE0988	DE0988	1
12	FLOAT SWITCH ASSEMBLY	DA0393	DA0393	DA0393	1
12a	FLOAT BALL ONLY	DA0165	DA0165	DA0165	1
12b	FLOAT SWITCH SEAL KIT	180095	180095	180095	1
13	COPPER TUBING	X42104	X42104	X42104	4
17	SWING CHECK VALVE	DV1084	DV1084	DV1084	1
19	LIFTING EYE	DJ0321	DJ0321	DJ0321	2
21	COVER PLATE DISCH MAN	DA0150	DA0150	DA0150	1
21a	GASKET, DRAIN COVER FLAN	DG0127	DG0127	DG0127	1
22	ELBOW 90 STREET-1/4NPT	DF0167	DF0167	DF0167	1
23	FLANGE BLIND	DF0210	DF0210	DF0210	3
23a	FLANGE GASKET	DG0060	DG0060	DG0060	4
24	PLATE AIR VENT	DL0600	DL0600	DL0600	1
24a	GASKET, HOUSING	DG0135	DG0135	DG0135	1
25	DISCHARGE MANIFOLD BODY	DL1471	DL1471	DL1471	1
25a	GASKET, NOZ BODY DISCH M	DG0151	DG0151	DG0151	1
26	NOZZLE BODY COVER PLATE	DL1480	DL1480	DL1480	1
27	COVER PLATE MANIFOLD ,	DL1738	DL1738	DL1738	2
29	BUSHING	DF0040	DF0040	DF0040	1
30	NIPPLE	DL0113	DL0113	DL0113	1
31	DIS. SOLENOID VALVE (115v)	DE1859	DE1859	DE1859	1
	--OR--				
31	DIS. SOLENOID VALVE (208v / 230v)	DE1860	DE1860	DE1860	1
32	DIN CONNECTOR	DE1645	DE1645	DE1645	1
33	CHECK VALVE ASM3 IN	DV0083	DV0083	DV0083	1
33a	CHECK VALVE FACING ONLY	DV0072	DV0072	DV0072	1
34	INSERT MANIFOLD LG	DL1702	DL1702	DL1702	1
	GASKET, NOZZLE BODY 30-7	DG0154	DG0154	DG0154	2
35	NOZZLE BODY	DL1437	DL1437	DL1437	1
36	NOZZLE	DL1318	DL1335	DL1322	1
37	VENTURI	DL1174	DL1192	DL1193	1
38	MANIFOLD EL 90 RED. 3X2I	DL1710	DL1710	DL1710	1
38a	GASKET, MANIFOLD ELBOW	DG0141	DG0141	DG0141	1
39	MANIFOLD EL 90 STR 3IN	DL1706	DL1706	DL1706	1
27a & 39a & b	GASKET, MANIFOLD FLANGE	DG0142	DG0142	DG0142	4
40	NOZZLE RETAINING RING (or Ret. Screw)	DL1486	DL1486	DL1486	1

FASTENER INFORMATION

Where used	Description	Part number	Part number	Part number	Qty / unit
	CONN MALE STR 1/4OD X 1,	DF0506	DF0506	DF0506	1
	CONN MALE STR 1/4OD X 1,	DF0510	DF0510	DF0510	1
	ELBOW 90 MALE 1/4OD X 1,	DF0511	DF0511	DF0511	1
10	CAPSCREW HEX HD1/4-20UNC	DJ0023	DJ0023	DJ0023	2
37	CAPSCREW HEX HD5/16-18NC	DJ0031	DJ0031	DJ0031	2
26	CAPSCREW HEX HD3/8-16UNC	DJ0063	DJ0063	DJ0063	4
25	CAPSCREW HEX HD3/8-16UNC	DJ0066	DJ0066	DJ0066	12
33	NUT HEX STD 5/16-18UN	DJ0226	DJ0226	DJ0226	4
37	WASHER HOLDING 11/32IDX1	DJ0277	DJ0277	DJ0277	2
35	STUD BOLT 3/8-16UNX1-7/1	DJ0471	DJ0471	DJ0471	20
24	STUD BOLT 3/8-16UNX1-13/	DJ0472	DJ0472	DJ0472	4
Pump Mounting	STUD PUMP CASE 1/2-13NCX,	DJ0478	DJ0478	DJ0478	16
obs	NIPPLE STD 1/4NPTX1-	DL0021	DL0021	DL0021	1
5	NIPPLE STD 1/4NPTX1-1/2	DL0022	DL0022	DL0022	1
obs	NIPPLE STD 1-1/4NPTX,	DL0097	DL0097	DL0097	1
33	STUD VLV SEAT 5/16DIA X 1-3/16	DV0032	DV0032	DV0032	4
1	PLUG EQUALIZINGA711-8235,	DV1149	DV1149	DV1149	1
28	PLUG SQ HD 2-1/2NPT ,	F12200	F12200	F12200	1
1	PLUG SQ HD 1/2NPT ,	H47900	H47900	H47900	1
1	PLUG HEX HD 1/8NPT ,	P39020	P39020	P39020	1
1	PLUG HEX HD 1/4NPT ,	P39040	P39040	P39040	5
24,38,38,39	NUT HX STD 3/8-16UNC,	P52380	P52380	P52380	24
	ELBOW MALE COMP 3/8OD X 1/4 MPT	S41800	S41800	S41800	1
1	PLUG SQ HD 1NPT ,	U19200	U19200	U19200	2
Pump Mounting	NUT HEX LGT 1/2-13UNC,	F11400	F11400	F11400	16
38 & 39	CAPSCREW HEX HD5/16-18UN	DJ0034	DJ0034	DJ0034	4
38 & 39	CAPSCREW,HEX HD 3/8-16NC	H52100	H52100	H52100	4
38 & 39	NUT HX STD 3/8-16UNC	P52380	P52380	P52380	4

Complete gasket kit - part number 180019

25 VLS / 25 HVS DUPLEX SPECIAL CAPCITY - 3500 RPM

Item #	Description	Part number			Qty
		20 PSI	30PSI	40PSI	
1	RECEIVER ,	DR0274	DR0274	DR0274	1
4	3" INLET BASKET STRAINER ASSEM.	DA0182	DA0182	DA0182	1
4a	STRAINER SCREEN ONLY	DA0018	DA0018	DA0018	1
4b	STRAINER COVER GASKET	DG0160	DG0160	DG0160	1
4c	NIPPLE STD 3NPTX4LG	DL0153	DL0153	DL0153	1
6	COMPOUND GAUGE	DA0114	DA0114	DA0114	1
6a	GAGE COCK 1/4FPT	DV0325	DV0325	DV0325	1
7	VACUUM BREAKER 3/4IN #26	DA0061	DA0061	DA0061	1
8	ANGLE THERMOMETER	DA0104	DA0104	DA0104	1
9a	VALVE SET 5/8 WATER	DV0342	DV0342	DV0342	1
9b	GAUGE GLASS 5/8X9	DV0347	DV0347	DV0347	1
9c	GUARD ROD 3/16DIA X 11	DV0367	DV0367	DV0367	2
11 & 12	VACUUM SWITCH (DUPLEX)	DE0987	DE0987	DE0987	2
14	FLOAT SWITCH ASSEMBLY	DA0393	DA0393	DA0393	2
14a	FLOAT BALL ONLY	DA0165	DA0165	DA0165	2
14b	FLOAT SWITCH SEAL KIT	180095	180095	180095	2
16	COPPER TUBING	X42104	X42104	X42104	8
17 & 19	DIS. SOLENOID VALVE (115v)	DE1859	DE1859	DE1859	2
	--OR--				
17 & 19	DIS. SOLENOID VALVE (208v / 230v)	DE1860	DE1860	DE1860	2
22	SWING CHECK VALVE	DV1084	DV1084	DV1084	1
24	LIFTING EYE	DJ0321	DJ0321	DJ0321	2
26	COVER PLATE DISCH MAN	DA0150	DA0150	DA0150	2
26a	GASKET, DRAIN COVER FLAN	DG0127	DG0127	DG0127	2
27	ELBOW 90 STREET1-1/4NPT	DF0167	DF0167	DF0167	1
28	FLANGE BLIND	DF0210	DF0210	DF0210	2
28a	FLANGE GASKET	DG0060	DG0060	DG0060	4
29	BUSHING	DF0040	DF0040	DF0040	2
30	NIPPLE	DL0113	DL0113	DL0113	2
32	DIN CONNECTOR	DE1645	DE1645	DE1645	2
33	CHECK VALVE ASM3 IN ,	DV0083	DV0083	DV0083	2
33a	CHECK VALVE FACING ONLY	DV0072	DV0072	DV0072	2
34	INSERT MANIFOLD LG ,	DL1702	DL1702	DL1702	2
35a	GASKET, NOZZLE BODY 30-7	DG0154	DG0154	DG0154	2
35	NOZZLE BODY	DL1437	DL1437	DL1437	2
36	NOZZLE	DL1318	DL1335	DL1322	2
37	VENTURI	DL1174	DL1192	DL1193	2
38	MANIFOLD EL 90 RED. 3X2I	DL1710	DL1710	DL1710	1
38a	GASKET, MANIFOLD ELBOW	DG0141	DG0141	DG0141	2
39	MANIFOLD EL 90 STR 3IN	DL1706	DL1706	DL1706	1
27,39,41	GASKET, MANIFOLD FLANGE	DG0142	DG0142	DG0142	5
40	NOZZLE RETAINING RING (or Ret. Screw)	DL1486	DL1486	DL1486	2
41	MANIFOLD ELBOW	DL1712	DL1712	DL1712	1
42	MANIFOLD ELBOW	DL1744	DL1744	DL1744	1
43	PLATE AIR VENT ,	DL0600	DL0600	DL0600	1
43a	GASKET, HOUSING	DG0135	DG0135	DG0135	1
44	DISCHARGE MANIFOLD BODY	DL1471	DL1471	DL1471	2
44a	GASKET, NOZ BODY DISCH M	DG0151	DG0151	DG0151	2

FASTENER INFORMATION

Where used	Description	Part number			Qty / unit
		20 PSI	30 PSI	40 PSI	
11 & 12	CONN MALE STR 1/4OD X 1,	DF0506	DF0506	DF0506	2
11 & 12	TEE MALE RUN	DF0509	DF0509	DF0509	1
obs	ELBOW 90 MALE 1/4OD X 1,	DF0511	DF0511	DF0511	2
11 & 12	CAPSCREW HEX HD1/4-20UNC	DJ0023	DJ0023	DJ0023	4
37	CAPSCREW HEX HD5/16-18NC	DJ0031	DJ0031	DJ0031	4
35	CAPSCREW HEX HD3/8-16UNC	DJ0063	DJ0063	DJ0063	8
44	CAPSCREW HEX HD3/8-16UNC	DJ0066	DJ0066	DJ0066	24
33	NUT HEX STD 5/16-18UN	DJ0226	DJ0226	DJ0226	8
37	WASHER HOLDING 11/32IDX1	DJ0277	DJ0277	DJ0277	4
35	STUD BOLT 3/8-16UNX1-7/1	DJ0471	DJ0471	DJ0471	20
43	STUD BOLT 3/8-16UNX1-13/	DJ0472	DJ0472	DJ0472	4
Pump Mounting	STUD PUMP CASE 1/2-13NCX,	DJ0478	DJ0478	DJ0478	16
obs	NIPPLE STD 1/4NPTX1-,	DL0021	DL0021	DL0021	2
6	NIPPLE STD 1/4NPTX1-1/2	DL0022	DL0022	DL0022	1
obs	NIPPLE STD 1-1/4NPTX,	DL0097	DL0097	DL0097	1
11,12,14	NIPPLE, RIGID	DE1591	DE1591	DE1591	1
11,12,14	NIPPLE, RIGID	DE1592	DE1592	DE1592	1
11,12,14	NIPPLE, RIGID	DE0570	DE0570	DE0570	1
	LOCK NUT/ RIGID	P34460	P34460	P34460	12
	NIPPLE, STD	J89374	J89374	J89374	2
33	STUD VLV SEAT 5/16DIA X 1-3/16	DV0032	DV0032	DV0032	8
1	PLUG EQUALIZINGA711-8235,	DV1149	DV1149	DV1149	1
1	PLUG SQ HD 1/2NPT ,	H47900	H47900	H47900	1
1	PLUG HEX HD 1/4NPT ,	P39040	P39040	P39040	4
38,38,39,40	NUT HX STD 3/8-16UNC,	P52380	P52380	P52380	24
	ELBOW MALE COMP 3/8OD X 1/4 MPT	S41800	S41800	S41800	2
1	PLUG SQ HD 1NPT	U19200	U19200	U19200	2
Pump Mounting	NUT HEX LGT 1/2-13UNC,	F11400	F11400	F11400	16
38 & 39	CAPSCREW HEX HD5/16-18UN	DJ0034	DJ0034	DJ0034	8
38 & 39	CAPSCREW,HEX HD 3/8-16NC	H52100	H52100	H52100	4
38 & 39	NUT HX STD 3/8-16UNC	P52380	P52380	P52380	4

Complete gasket kit - part number 180019 (qty 2 required)

25 VL / 25 HV SIMPLEX STANDARD CAPACITY-1750 RPM

Item #	Description	Part number		Qty
		20 PSI	30PSI	
1	RECEIVER ,	DR0274	DR0274	1
3	3" INLET BASKET STRAINER ASSEM.	DA0182	DA0182	1
3a	STRAINER SCREEN ONLY	DA0018	DA0018	1
3b	STRAINER COVER GASKET	DG0160	DG0160	1
3c	NIPPLE STD 3NPTX4LG	DL0153	DL0153	1
5	COMPOUND GAUGE	DA0114	DA0114	1
5a	GAGE COCK 1/4FPT	DV0325	DV0325	1
6	VACUUM BREAKER 3/4IN #26	DA0061	DA0061	1
7	ANGLE THERMOMETER	DA0104	DA0104	1
8a	VALVE SET 5/8 WATER	DV0342	DV0342	1
8b	GAUGE GLASS 5/8X9	DV0347	DV0347	1
8c	GUARD ROD 3/16DIA X 11	DV0367	DV0367	2
10	VACUUM SWITCH (SIMPLEX)	DE0988	DE0988	1
12	FLOAT SWITCH ASSEMBLY	DA0393	DA0393	1
12a	FLOAT BALL ONLY	DA0165	DA0165	1
12b	FLOAT SWITCH SEAL KIT	180095	180095	1
13	COPPER TUBING	X42104	X42104	4
17	SWING CHECK VALVE	DV1084	DV1084	1
19	LIFTING EYE	DJ0321	DJ0321	2
21	COVER PLATE DISCH MAN	DA0150	DA0150	1
21a	GASKET, DRAIN COVER FLAN	DG0127	DG0127	1
22	ELBOW 90 STREET1-1/4NPT	DF0167	DF0167	1
23	FLANGE BLIND	DF0210	DF0210	3
23a	FLANGE GASKET	DG0060	DG0060	4
24	PLATE AIR VENT	DL0600	DL0600	1
24a	GASKET, HOUSING	DG0135	DG0135	1
25	DISCHARGE MANIFOLD BODY	DL1471	DL1471	1
25a	GASKET, NOZ BODY DISCH M	DG0151	DG0151	1
26	NOZZLE BODY COVER PLATE	DL1480	DL1480	1
27	COVER PLATE MANIFOLD ,	DL1738	DL1738	2
29	BUSHING	DF0040	DF0040	1
30	NIPPLE	DL0113	DL0113	1
31	DIS. SOLENOID VALVE (115v)	DE1859	DE1859	1
	--OR--			
31	DIS. SOLENOID VALVE (208v / 230v)	DE1860	DE1860	1
32	DIN CONNECTOR	DE1645	DE1645	1
33	CHECK VALVE ASM3 IN	DV0083	DV0083	1
33a	CHECK VALVE FACING ONLY	DV0072	DV0072	1
34	INSERT MANIFOLD LG	DL1702	DL1702	1
	GASKET, NOZZLE BODY 30-7	DG0154	DG0154	2
35	NOZZLE BODY	DL1437	DL1437	1
36	NOZZLE	DL1342	DL1320	1
37	VENTURI	DL1194	DL1194	1
38	MANIFOLD EL 90 RED. 3X2I	not applicable	DL1710	1
38a	GASKET, MANIFOLD ELBOW	not applicable	DG0141	1
	CASE GASKET	DG0070	not applicable	1
39	MANIFOLD EL 90 STR 3IN	DL1708	DL1706	1
27a & 39a & b	GASKET, MANIFOLD FLANGE	DG0142	DG0142	4
40	NOZZLE RETAINING RING (or Ret. Screw)	DL1486	DL1486	1

FASTENER INFORMATION

Where used	Description	Part number	Part number	Qty / unit
	CONN MALE STR 1/4OD X 1,	DF0506	DF0506	1
	CONN MALE STR 1/4OD X 1,	DF0510	DF0510	1
	ELBOW 90 MALE 1/4OD X 1,	DF0511	DF0511	1
10	CAPSCREW HEX HD1/4-20UNC	DJ0023	DJ0023	2
37	CAPSCREW HEX HD5/16-18NC	DJ0031	DJ0031	2
26	CAPSCREW HEX HD3/8-16UNC	DJ0063	DJ0063	4
25	CAPSCREW HEX HD3/8-16UNC	DJ0066	DJ0066	12
33	NUT HEX STD 5/16-18UN	DJ0226	DJ0226	4
37	WASHER HOLDING 11/32IDX1	DJ0277	DJ0277	2
35	STUD BOLT 3/8-16UNX1-7/1	DJ0471	DJ0471	20
24	STUD BOLT 3/8-16UNX1-13/	DJ0472	DJ0472	4
Pump Mounting	STUD PUMP CASE 1/2-13NCX,	DJ0478	DJ0478	16
obs	NIPPLE STD 1/4NPTX1-	DL0021	DL0021	1
5	NIPPLE STD 1/4NPTX1-1/2	DL0022	DL0022	1
obs	NIPPLE STD 1-1/4NPTX,	DL0097	DL0097	1
33	STUD VLV SEAT 5/16DIA X 1-3/16	DV0032	DV0032	4
1	PLUG EQUALIZINGA711-8235,	DV1149	DV1149	1
28	PLUG SQ HD 2-1/2NPT ,	F12200	F12200	1
1	PLUG SQ HD 1/2NPT ,	H47900	H47900	1
1	PLUG HEX HD 1/8NPT ,	P39020	P39020	1
1	PLUG HEX HD 1/4NPT ,	P39040	P39040	5
	CAPSCREW 3/4-10 X 1-1/2	P19810	not applicable	1
24,38,38,39	NUT HX STD 3/8-16UNC,	P52380	P52380	24
	ELBOW MALE COMP 3/8OD X 1/4 MPT	S41800	S41800	1
1	PLUG SQ HD 1NPT ,	U19200	U19200	2
Pump Mounting	NUT HEX LGT 1/2-13UNC,	F11400	F11400	16
38 & 39	CAPSCREW HEX HD5/16-18UN	DJ0034	DJ0034	4
38 & 39	CAPSCREW,HEX HD 3/8-16NC	not applicable	H52100	4
38 & 39	NUT HX STD 3/8-16UNC	not applicable	P52380	4

Complete gasket kit - part number 180019

25 VL / 25 HV DUPLEX STANDARD CAPACITY-1750 RPM

Item #	Description	Part number		Qty
		20 PSI	30PSI	
1	RECEIVER ,	DR0274	DR0274	1
4	3" INLET BASKET STRAINER ASSEM.	DA0182	DA0182	1
4a	STRAINER SCREEN ONLY	DA0018	DA0018	1
4b	STRAINER COVER GASKET	DG0160	DG0160	1
4c	NIPPLE STD 3NPTX4LG	DL0153	DL0153	1
6	COMPOUND GAUGE	DA0114	DA0114	1
6a	GAGE COCK 1/4FPT	DV0325	DV0325	1
7	VACUUM BREAKER 3/4IN #26	DA0061	DA0061	1
8	ANGLE THERMOMETER	DA0104	DA0104	1
9a	VALVE SET 5/8 WATER	DV0342	DV0342	1
9b	GAUGE GLASS 5/8X9	DV0347	DV0347	1
9c	GUARD ROD 3/16DIA X 11	DV0367	DV0367	2
11 & 12	VACUUM SWITCH (DUPLEX)	DE0987	DE0987	2
14	FLOAT SWITCH ASSEMBLY	DA0393	DA0393	2
14a	FLOAT BALL ONLY	DA0165	DA0165	2
14b	FLOAT SWITCH SEAL KIT	180095	180095	2
16	COPPER TUBING	X42104	X42104	8
17 & 19	DIS. SOLENOID VALVE (115v)	DE1859	DE1859	2
	--OR--			
17 & 19	DIS. SOLENOID VALVE (208v / 230v)	DE1860	DE1860	2
22	SWING CHECK VALVE	DV1084	DV1084	1
24	LIFTING EYE	DJ0321	DJ0321	2
26	COVER PLATE DISCH MAN	DA0150	DA0150	2
26a	GASKET, DRAIN COVER FLAN	DG0127	DG0127	2
27	ELBOW 90 STREET 1-1/4NPT	DF0167	DF0167	1
28	FLANGE BLIND	DF0210	DF0210	2
28a	FLANGE GASKET	DG0060	DG0060	4
29	BUSHING	DF0040	DF0040	2
30	NIPPLE	DL0113	DL0113	2
32	DIN CONNECTOR	DE1645	DE1645	2
33	CHECK VALVE ASM3 IN	DV0083	DV0083	2
33a	CHECK VALVE FACING ONLY	DV0072	DV0072	2
34	INSERT MANIFOLD LG	DL1702	DL1702	2
35a	GASKET, NOZZLE BODY 30-7	DG0154	DG0154	2
35	NOZZLE BODY	DL1437	DL1437	2
36	NOZZLE	DL1342	DL1320	2
37	VENTURI	DL1194	DL1194	2
38	MANIFOLD EL 90 RED. 3X2I	not applicable	DL1710	1
38a	GASKET, MANIFOLD ELBOW	not applicable	DG0141	2
	CASE GASKET	DG0070	not applicable	2
39	MANIFOLD EL 90 STR 3IN	DL1708	DL1706	1
27,39,41	GASKET, MANIFOLD FLANGE	DG0142 (qty 6)	DG0142 (qty 5)	**
40	NOZZLE RETAINING RING (or Ret. Screw)	DL1486	DL1486	2
41	MANIFOLD ELBOW	DL1746	DL1712	1
42	MANIFOLD ELBOW	DL1744	DL1744	1
43	PLATE AIR VENT	DL0600	DL0600	1
43a	GASKET, HOUSING	DG0135	DG0135	1
44	DISCHARGE MANIFOLD BODY	DL1471	DL1471	2
44a	GASKET, NOZ BODY DISCH M	DG0151	DG0151	2

FASTENER INFORMATION

Where used	Description	Part number	Part number	Qty / unit
		20 PSI	30 PSI	
11 & 12	CONN MALE STR 1/4OD X 1,	DF0506	DF0506	2
11 & 12	TEE MALE RUN	DF0509	DF0509	1
obs	ELBOW 90 MALE 1/4OD X 1,	DF0511	DF0511	2
11 & 12	CAPSCREW HEX HD1/4-20UNC	DJ0023	DJ0023	4
37	CAPSCREW HEX HD5/16-18NC	DJ0031	DJ0031	4
35	CAPSCREW HEX HD3/8-16UNC	DJ0063	DJ0063	8
44	CAPSCREW HEX HD3/8-16UNC	DJ0066	DJ0066	24
33	NUT HEX STD 5/16-18UN	DJ0226	DJ0226	8
37	WASHER HOLDING 11/32IDX1	DJ0277	DJ0277	4
35	STUD BOLT 3/8-16UNX1-7/1	DJ0471	DJ0471	20
43	STUD BOLT 3/8-16UNX1-13/	DJ0472	DJ0472	4
Pump Mounting	STUD PUMP CASE 1/2-13NCX,	DJ0478	DJ0478	16
obs	NIPPLE STD 1/4NPTX1-,	DL0021	DL0021	2
6	NIPPLE STD 1/4NPTX1-1/2	DL0022	DL0022	1
obs	NIPPLE STD 1-1/4NPTX,	DL0097	DL0097	1
11,12,14	NIPPLE, RIGID	DE1591	DE1591	1
11,12,14	NIPPLE, RIGID	DE1592	DE1592	1
11,12,14	NIPPLE, RIGID	DE0570	DE0570	1
	LOCK NUT/ RIGID	P34460	P34460	12
	NIPPLE , STD	J89374	J89374	2
33	STUD VLV SEAT 5/16DIA X 1-3/16	DV0032	DV0032	8
1	PLUG EQUALIZINGA711-8235,	DV1149	DV1149	1
1	PLUG SQ HD 1/2NPT ,	H47900	H47900	1
1	PLUG HEX HD 1/4NPT ,	P39040	P39040	4
	CAPSCREW 3/4-10 X 1-1/2	P19810	not applicable	2
38,38,39,40	NUT HX STD 3/8-16UNC,	P52380	P52380	24
	ELBOW MALE COMP 3/8OD X 1/4 MPT	S41800	S41800	2
1	PLUG SQ HD 1NPT ,	U19200	U19200	2
Pump Mounting	NUT HEX LGT 1/2-13UNC,	F11400	F11400	16
38 & 39	CAPSCREW HEX HD5/16-18UN	not applicable	DJ0034	8
38 & 39	CAPSCREW,HEX HD 3/8-16NC	not applicable	H52100	4
38 & 39	NUT HX STD 3/8-16UNC	not applicable	P52380	4

Complete gasket kit - part number 180019 (qty 2 required)

25 VLS / 25 HVS SIMPLEX SPECIAL CAPACITY - 1750 RPM

Item #	Description	Part number		Qty
		20 PSI	30PSI	
1	RECEIVER ,	DR0274	DR0274	1
3	3" INLET BASKET STRAINER ASSEM.	DA0182	DA0182	1
3a	STRAINER SCREEN ONLY	DA0018	DA0018	1
3b	STRAINER COVER GASKET	DG0160	DG0160	1
3c	NIPPLE STD 3NPTX4LG	DL0153	DL0153	1
5	COMPOUND GAUGE	DA0114	DA0114	1
5a	GAGE COCK 1/4FPT	DV0325	DV0325	1
6	VACUUM BREAKER 3/4IN #26	DA0061	DA0061	1
7	ANGLE THERMOMETER	DA0104	DA0104	1
8a	VALVE SET 5/8 WATER	DV0342	DV0342	1
8b	GAUGE GLASS 5/8X9	DV0347	DV0347	1
8c	GUARD ROD 3/16DIA X 11	DV0367	DV0367	2
10	VACUUM SWITCH (SIMPLEX)	DE0988	DE0988	1
12	FLOAT SWITCH ASSEMBLY	DA0393	DA0393	1
12a	FLOAT BALL ONLY	DA0165	DA0165	1
12b	FLOAT SWITCH SEAL KIT	180095	180095	1
13	COPPER TUBING	X42104	X42104	4
17	SWING CHECK VALVE	DV1084	DV1084	1
19	LIFTING EYE	DJ0321	DJ0321	2
21	COVER PLATE DISCH MAN	DA0150	DA0150	1
21a	GASKET, DRAIN COVER FLAN	DG0127	DG0127	1
22	ELBOW 90 STREET1-1/4NPT	DF0167	DF0167	1
23	FLANGE BLIND	DF0210	DF0210	3
23a	FLANGE GASKET	DG0060	DG0060	4
24	PLATE AIR VENT	DL0600	DL0600	1
24a	GASKET, HOUSING	DG0135	DG0135	1
25	DISCHARGE MANIFOLD BODY	DL1471	DL1471	1
25a	GASKET, NOZ BODY DISCH M	DG0151	DG0151	1
26	NOZZLE BODY COVER PLATE	DL1480	DL1480	1
27	COVER PLATE MANIFOLD ,	DL1738	DL1738	2
29	BUSHING	DF0040	DF0040	1
30	NIPPLE	DL0113	DL0113	1
31	DIS. SOLENOID VALVE (115v)	DE1859	DE1859	1
	--OR--			
31	DIS. SOLENOID VALVE (208v / 230v)	DE1860	DE1860	1
32	DIN CONNECTOR	DE1645	DE1645	1
33	CHECK VALVE ASM3 IN	DV0083	DV0083	1
33a	CHECK VALVE FACING ONLY	DV0072	DV0072	1
34	INSERT MANIFOLD LG	DL1702	DL1702	1
	GASKET, NOZZLE BODY 30-7	DG0154	DG0154	2
35	NOZZLE BODY	DL1437	DL1437	1
36	NOZZLE	DL1333	DL1335	1
37	VENTURI	DL1171	DL1192	1
38	MANIFOLD EL 90 RED. 3X2I	not applicable	not applicable	1
38a	GASKET, MANIFOLD ELBOW	not applicable	not applicable	1
	CASE GASKET	DG0070	DG0070	1
39	MANIFOLD EL 90 STR 3IN	DL1708	DL1708	1
27a & 39a & b	GASKET, MANIFOLD FLANGE	DG0142	DG0142	4
40	NOZZLE RETAINING RING (or Ret. Screw)	DL1486	DL1486	1

FASTENER INFORMATION

Where used	Description	Part number	Part number	Qty / unit
	CONN MALE STR 1/4OD X 1,	DF0506	DF0506	1
	CONN MALE STR 1/4OD X 1,	DF0510	DF0510	1
	ELBOW 90 MALE 1/4OD X 1,	DF0511	DF0511	1
10	CAPSCREW HEX HD1/4-20UNC	DJ0023	DJ0023	2
37	CAPSCREW HEX HD5/16-18NC	DJ0031	DJ0031	2
26	CAPSCREW HEX HD3/8-16UNC	DJ0063	DJ0063	4
25	CAPSCREW HEX HD3/8-16UNC	DJ0066	DJ0066	12
33	NUT HEX STD 5/16-18UN	DJ0226	DJ0226	4
37	WASHER HOLDING 11/32IDX1	DJ0277	DJ0277	2
35	STUD BOLT 3/8-16UNX1-7/1	DJ0471	DJ0471	20
24	STUD BOLT 3/8-16UNX1-13/	DJ0472	DJ0472	4
Pump Mounting	STUD PUMP CASE 1/2-13NCX,	DJ0478	DJ0478	16
obs	NIPPLE STD 1/4NPTX1-,	DL0021	DL0021	1
5	NIPPLE STD 1/4NPTX1-1/2	DL0022	DL0022	1
obs	NIPPLE STD 1-1/4NPTX,	DL0097	DL0097	1
33	STUD VLV SEAT 5/16DIA X 1-3/16	DV0032	DV0032	4
1	PLUG EQUALIZINGA711-8235,	DV1149	DV1149	1
28	PLUG SQ HD 2-1/2NPT ,	F12200	F12200	1
1	PLUG SQ HD 1/2NPT ,	H47900	H47900	1
1	PLUG HEX HD 1/8NPT ,	P39020	P39020	1
1	PLUG HEX HD 1/4NPT ,	P39040	P39040	5
	CAPSCREW 3/4-10 X 1-1/2	P19810	P19810	1
24,38,38,39	NUT HX STD 3/8-16UNC,	P52380	P52380	24
	ELBOW MALE COMP 3/8OD X 1/4 MPT	S41800	S41800	1
1	PLUG SQ HD 1NPT ,	U19200	U19200	2
Pump Mounting	NUT HEX LGT 1/2-13UNC,	F11400	F11400	16
38 & 39	CAPSCREW HEX HD5/16-18UN	DJ0034	DJ0034	4
38 & 39	CAPSCREW,HEX HD 3/8-16NC	not applicable	not applicable	not applicable
38 & 39	NUT HX STD 3/8-16UNC	not applicable	not applicable	not applicable

Complete gasket kit - part number 180019

25 VL / 25 HV DUPLEX SPECIAL CAPACITY - 1750 RPM

Item #	Description	Part number		Qty
		20 PSI	30PSI	
1	RECEIVER ,	DR0274	DR0274	1
4	3" INLET BASKET STRAINER ASSEM.	DA0182	DA0182	1
4a	STRAINER SCREEN ONLY	DA0018	DA0018	1
4b	STRAINER COVER GASKET	DG0160	DG0160	1
4c	NIPPLE STD 3NPTX4LG	DL0153	DL0153	1
6	COMPOUND GAUGE	DA0114	DA0114	1
6a	GAGE COCK 1/4FPT	DV0325	DV0325	1
7	VACUUM BREAKER 3/4IN #26	DA0061	DA0061	1
8	ANGLE THERMOMETER	DA0104	DA0104	1
9a	VALVE SET 5/8 WATER	DV0342	DV0342	1
9b	GAUGE GLASS 5/8X9	DV0347	DV0347	1
9c	GUARD ROD 3/16DIA X 11	DV0367	DV0367	2
11 & 12	VACUUM SWITCH (DUPLEX)	DE0987	DE0987	2
14	FLOAT SWITCH ASSEMBLY	DA0393	DA0393	2
14a	FLOAT BALL ONLY	DA0165	DA0165	2
14b	FLOAT SWITCH SEAL KIT	180095	180095	2
16	COPPER TUBING	X42104	X42104	8
17 & 19	DIS. SOLENOID VALVE (115v)	DE1859	DE1859	2
	--OR--			
17 & 19	DIS. SOLENOID VALVE (208v / 230v)	DE1860	DE1860	2
22	SWING CHECK VALVE	DV1084	DV1084	1
24	LIFTING EYE	DJ0321	DJ0321	2
26	COVER PLATE DISCH MAN	DA0150	DA0150	2
26a	GASKET, DRAIN COVER FLAN	DG0127	DG0127	2
27	ELBOW 90 STREET1-1/4NPT	DF0167	DF0167	1
28	FLANGE BLIND	DF0210	DF0210	2
28a	FLANGE GASKET	DG0060	DG0060	4
29	BUSHING	DF0040	DF0040	2
30	NIPPLE	DL0113	DL0113	2
32	DIN CONNECTOR	DE1645	DE1645	2
33	CHECK VALVE ASM3 IN	DV0083	DV0083	2
33a	CHECK VALVE FACING ONLY	DV0072	DV0072	2
34	INSERT MANIFOLD LG	DL1702	DL1702	2
35a	GASKET, NOZZLE BODY 30-7	DG0154	DG0154	2
35	NOZZLE BODY	DL1437	DL1437	2
36	NOZZLE	DL1342	DL1342	2
37	VENTURI	DL1194	DL1194	2
38	MANIFOLD EL 90 RED. 3X2I	not applicable	not applicable	1
38a	GASKET, MANIFOLD ELBOW	not applicable	not applicable	2
	CASE GASKET	DG0070	DG0070	2
39	MANIFOLD EL 90 STR 3IN	DL1708	DL1708	1
27,39,41	GASKET, MANIFOLD FLANGE	DG0142 (qty 6)	DG0142 (qty 6)	**
40	NOZZLE RETAINING RING (or Ret. Screw)	DL1486	DL1486	2
41	MANIFOLD ELBOW	DL1746	DL1746	1
42	MANIFOLD ELBOW	DL1744	DL1744	1
43	PLATE AIR VENT	DL0600	DL0600	1
43a	GASKET, HOUSING	DG0135	DG0135	1
44	DISCHARGE MANIFOLD BODY	DL1471	DL1471	2
44a	GASKET, NOZ BODY DISCH M	DG0151	DG0151	2

FASTENER INFORMATION

Where used	Description	Part number	Part number	Qty / unit
		20 PSI	30 PSI	
11 & 12	CONN MALE STR 1/4OD X 1,	DF0506	DF0506	2
11 & 12	TEE MALE RUN	DF0509	DF0509	1
obs	ELBOW 90 MALE 1/4OD X 1,	DF0511	DF0511	2
11 & 12	CAPSCREW HEX HD1/4-20UNC	DJ0023	DJ0023	4
37	CAPSCREW HEX HD5/16-18NC	DJ0031	DJ0031	4
35	CAPSCREW HEX HD3/8-16UNC	DJ0063	DJ0063	8
44	CAPSCREW HEX HD3/8-16UNC	DJ0066	DJ0066	24
33	NUT HEX STD 5/16-18UN	DJ0226	DJ0226	8
37	WASHER HOLDING 11/32IDX1	DJ0277	DJ0277	4
35	STUD BOLT 3/8-16UNX1-7/1	DJ0471	DJ0471	20
43	STUD BOLT 3/8-16UNX1-13/	DJ0472	DJ0472	4
Pump Mounting	STUD PUMP CASE 1/2-13NCX,	DJ0478	DJ0478	16
obs	NIPPLE STD 1/4NPTX1-,	DL0021	DL0021	2
6	NIPPLE STD 1/4NPTX1-1/2	DL0022	DL0022	1
obs	NIPPLE STD 1-1/4NPTX,	DL0097	DL0097	1
11,12,14	NIPPLE, RIGID	DE1591	DE1591	1
11,12,14	NIPPLE, RIGID	DE1592	DE1592	1
11,12,14	NIPPLE, RIGID	DE0570	DE0570	1
	LOCK NUT/ RIGID	P34460	P34460	12
	NIPPLE, STD	J89374	J89374	2
33	STUD VLV SEAT 5/16DIA X 1-3/16	DV0032	DV0032	8
1	PLUG EQUALIZINGA711-8235,	DV1149	DV1149	1
1	PLUG SQ HD 1/2NPT	H47900	H47900	1
1	PLUG HEX HD 1/4NPT	P39040	P39040	4
	CAPSCREW 3/4-10 X 1-1/2	P19810	P19810	2
38,38,39,40	NUT HX STD 3/8-16UNC,	P52380	P52380	24
	ELBOW MALE COMP 3/8OD X 1/4 MPT	S41800	S41800	2
1	PLUG SQ HD 1NPT	U19200	U19200	2
Pump Mounting	NUT HEX LGT 1/2-13UNC,	F11400	F11400	16
38 & 39	CAPSCREW HEX HD5/16-18UN	not applicable	not applicable	not applicable
38 & 39	CAPSCREW,HEX HD 3/8-16NC	not applicable	not applicable	not applicable
38 & 39	NUT HX STD 3/8-16UNC	not applicable	not applicable	not applicable

Complete gasket kit - part number 180019 (qty 2 required)

30 VL / 30 HV SIMPLEX STANDARD CAPACITY-3500 RPM

Item #	Description	Part number			Qty
		20 PSI	30PSI	40PSI	
1	RECEIVER ,	DR0274	DR0274	DR0274	1
3	3" INLET BASKET STRAINER ASSEM.	DA0182	DA0182	DA0182	1
3a	STRAINER SCREEN ONLY	DA0018	DA0018	DA0018	1
3b	STRAINER COVER GASKET	DG0160	DG0160	DG0160	1
3c	NIPPLE STD 3NPTX4LG	DL0153	DL0153	DL0153	1
5	COMPOUND GAUGE	DA0114	DA0114	DA0114	1
5a	GAGE COCK 1/4FPT	DV0325	DV0325	DV0325	1
6	VACUUM BREAKER 3/4IN #26	DA0061	DA0061	DA0061	1
7	ANGLE THERMOMETER	DA0104	DA0104	DA0104	1
8a	VALVE SET 5/8 WATER	DV0342	DV0342	DV0342	1
8b	GAUGE GLASS 5/8X9	DV0347	DV0347	DV0347	1
8c	GUARD ROD 3/16DIA X 11	DV0367	DV0367	DV0367	2
10	VACUUM SWITCH (SIMPLEX)	DE0988	DE0988	DE0988	1
12	FLOAT SWITCH ASSEMBLY	DA0393	DA0393	DA0393	1
12a	FLOAT BALL ONLY	DA0165	DA0165	DA0165	1
12b	FLOAT SWITCH SEAL KIT	180095	180095	180095	1
13	COPPER TUBING	X42104	X42104	X42104	4
17	SWING CHECK VALVE	DV1084	DV1084	DV1084	1
19	LIFTING EYE	DJ0321	DJ0321	DJ0321	2
21	COVER PLATE DISCH MAN	DA0150	DA0150	DA0150	1
21a	GASKET, DRAIN COVER FLAN	DG0127	DG0127	DG0127	1
22	ELBOW 90 STREET1-1/4NPT	DF0167	DF0167	DF0167	1
23	FLANGE BLIND	DF0210	DF0210	DF0210	3
23a	FLANGE GASKET	DG0060	DG0060	DG0060	4
24	PLATE AIR VENT	DL0600	DL0600	DL0600	1
24a	GASKET, HOUSING	DG0135	DG0135	DG0135	1
25	DISCHARGE MANIFOLD BODY	DL1471	DL1471	DL1471	1
25a	GASKET, NOZ BODY DISCH M	DG0151	DG0151	DG0151	1
26	NOZZLE BODY COVER PLATE	DL1480	DL1480	DL1480	1
27	COVER PLATE MANIFOLD ,	DL1738	DL1738	DL1738	2
29	BUSHING	DF0041	DF0041	DF0041	1
30	NIPPLE	J89331	J89331	J89331	1
31	DIS. SOLENOID VALVE (115v)	DE1861	DE1861	DE1861	1
	--OR--				
31	DIS. SOLENOID VALVE (208v / 230v)	DE1862	DE1862	DE1862	1
32	DIN CONNECTOR	DE1645	DE1645	DE1645	1
33	CHECK VALVE ASM3 IN	DV0083	DV0083	DV0083	1
33a	CHECK VALVE FACING ONLY	DV0072	DV0072	DV0072	1
34	INSERT MANIFOLD LG	DL1702	DL1702	DL1702	1
	GASKET, NOZZLE BODY 30-7	DG0154	DG0154	DG0154	2
35	NOZZLE BODY	DL1437	DL1436	DL1436	1
36	NOZZLE	DL1342	DL1364	DL1365	1
37	VENTURI	DL1194	DL1112	DL1114	1
38	MANIFOLD EL 90 RED. 3X2I	DL1710	DL1710	DL1710	1
38a	GASKET, MANIFOLD ELBOW	DG0141	DG0141	DG0141	1
39	MANIFOLD EL 90 STR 3IN	DL1706	DL1706	DL1706	1
27a & 39a & b	GASKET, MANIFOLD FLANGE	DG0142	DG0142	DG0142	4
40	NOZZLE RETAINING RING (or Ret. Screw)	DL1486	(P03840)	(P03840)	1

FASTENER INFORMATION

Where used	Description	Part number	Part number	Part number	Qty / unit
	CONN MALE STR 1/4OD X 1,	DF0506	DF0506	DF0506	1
	CONN MALE STR 1/4OD X 1,	DF0510	DF0510	DF0510	1
	ELBOW 90 MALE 1/4OD X 1,	DF0511	DF0511	DF0511	1
10	CAPSCREW HEX HD1/4-20UNC	DJ0023	DJ0023	DJ0023	2
37	CAPSCREW HEX HD5/16-18NC	DJ0031	DJ0031	DJ0031	2
26	CAPSCREW HEX HD3/8-16UNC	DJ0063	DJ0063	DJ0063	4
25	CAPSCREW HEX HD3/8-16UNC	DJ0066	DJ0066	DJ0066	12
33	NUT HEX STD 5/16-18UN	DJ0226	DJ0226	DJ0226	4
37	WASHER HOLDING 11/32IDX1	DJ0277	DJ0277	DJ0277	2
35	STUD BOLT 3/8-16UNX1-7/1	DJ0471	DJ0471	DJ0471	20
24	STUD BOLT 3/8-16UNX1-13/	DJ0472	DJ0472	DJ0472	4
Pump Mounting	STUD PUMP CASE 1/2-13NCX,	DJ0478	DJ0478	DJ0478	16
obs	NIPPLE STD 1/4NPTX1-	DL0021	DL0021	DL0021	1
5	NIPPLE STD 1/4NPTX1-1/2	DL0022	DL0022	DL0022	1
obs	NIPPLE STD 1-1/4NPTX,	DL0097	DL0097	DL0097	1
33	STUD VLV SEAT 5/16DIA X 1-3/16	DV0032	DV0032	DV0032	4
1	PLUG EQUALIZINGA711-8235,	DV1149	DV1149	DV1149	1
28	PLUG SQ HD 2-1/2NPT ,	F12200	F12200	F12200	1
1	PLUG SQ HD 1/2NPT ,	H47900	H47900	H47900	1
1	PLUG HEX HD 1/8NPT	P39020	P39020	P39020	1
1	PLUG HEX HD 1/4NPT	P39040	P39040	P39040	5
24,38,38,39	NUT HX STD 3/8-16UNC,	P52380	P52380	P52380	24
	ELBOW MALE COMP 3/8OD X 1/4 MPT	S41800	S41800	S41800	1
1	PLUG SQ HD 1NPT	U19200	U19200	U19200	2
Pump Mounting	NUT HEX LGT 1/2-13UNC,	F11400	F11400	F11400	16
38 & 39	CAPSCREW HEX HD5/16-18UN	DJ0034	DJ0034	DJ0034	4
38 & 39	CAPSCREW,HEX HD 3/8-16NC	H52100	H52100	H52100	4
38 & 39	NUT HX STD 3/8-16UNC	P52380	P52380	P52380	4

Complete gasket kit - part number 180019

30 VL / 30 HV DUPLEX STANDARD CAPACITY-3500 RPM

Item #	Description	Part number			Qty
		20 PSI	30PSI	40PSI	
1	RECEIVER ,	DR0274	DR0274	DR0274	1
4	3" INLET BASKET STRAINER ASSEM.	DA0182	DA0182	DA0182	1
4a	STRAINER SCREEN ONLY	DA0018	DA0018	DA0018	1
4b	STRAINER COVER GASKET	DG0160	DG0160	DG0160	1
4c	NIPPLE STD 3NPTX4LG	DL0153	DL0153	DL0153	1
6	COMPOUND GAUGE	DA0114	DA0114	DA0114	1
6a	GAGE COCK 1/4FPT	DV0325	DV0325	DV0325	1
7	VACUUM BREAKER 3/4IN #26	DA0061	DA0061	DA0061	1
8	ANGLE THERMOMETER	DA0104	DA0104	DA0104	1
9a	VALVE SET 5/8 WATER	DV0342	DV0342	DV0342	1
9b	GAUGE GLASS 5/8X9	DV0347	DV0347	DV0347	1
9c	GUARD ROD 3/16DIA X 11	DV0367	DV0367	DV0367	2
11 & 12	VACUUM SWITCH (DUPLEX)	DE0987	DE0987	DE0987	2
14	FLOAT SWITCH ASSEMBLY	DA0393	DA0393	DA0393	2
14a	FLOAT BALL ONLY	DA0165	DA0165	DA0165	2
14b	FLOAT SWITCH SEAL KIT	180095	180095	180095	2
16	COPPER TUBING	X42104	X42104	X42104	8
17 & 19	DIS. SOLENOID VALVE (115v)	DE1861	DE1861	DE1861	2
	--OR--				
17 & 19	DIS. SOLENOID VALVE (208v / 230v)	DE1862	DE1862	DE1862	2
22	SWING CHECK VALVE	DV1084	DV1084	DV1084	1
24	LIFTING EYE	DJ0321	DJ0321	DJ0321	2
26	COVER PLATE DISCH MAN	DA0150	DA0150	DA0150	2
26a	GASKET, DRAIN COVER FLAN	DG0127	DG0127	DG0127	2
27	ELBOW 90 STREET1-1/4NPT	DF0167	DF0167	DF0167	1
28	FLANGE BLIND	DF0210	DF0210	DF0210	2
28a	FLANGE GASKET	DG0060	DG0060	DG0060	4
29	BUSHING	DF0041	DF0041	DF0041	2
30	NIPPLE	J89331	J89331	J89331	2
32	DIN CONNECTOR	DE1645	DE1645	DE1645	2
33	CHECK VALVE ASM3 IN ,	DV0083	DV0083	DV0083	2
33a	CHECK VALVE FACING ONLY	DV0072	DV0072	DV0072	2
34	INSERT MANIFOLD LG ,	DL1702	DL1702	DL1702	2
35a	GASKET, NOZZLE BODY 30-7	DG0154	DG0154	DG0154	2
35	NOZZLE BODY	DL1437	DL1436	DL1436	2
36	NOZZLE	DL1342	DL1364	DL1365	2
37	VENTURI	DL1194	DL1112	DL1114	2
38	MANIFOLD EL 90 RED. 3X2I	DL1710	DL1710	DL1710	1
38a	GASKET, MANIFOLD ELBOW	DG0141	DG0141	DG0141	2
39	MANIFOLD EL 90 STR 3IN	DL1706	DL1706	DL1706	1
27,39,41	GASKET, MANIFOLD FLANGE	DG0142	DG0142	DG0142	5
40	NOZZLE RETAINING RING (or Ret. Screw)	DL1486	(P03840)	(P03840)	2
41	MANIFOLD ELBOW	DL1712	DL1712	DL1712	1
42	MANIFOLD ELBOW	DL1744	DL1744	DL1744	1
43	PLATE AIR VENT ,	DL0600	DL0600	DL0600	1
43a	GASKET, HOUSING	DG0135	DG0135	DG0135	1
44	DISCHARGE MANIFOLD BODY	DL1471	DL1471	DL1471	2
44a	GASKET, NOZ BODY DISCH M	DG0151	DG0151	DG0151	2

FASTENER INFORMATION

Where used	Description	Part number			Qty / unit
		20 PSI	30 PSI	40 PSI	
11 & 12	CONN MALE STR 1/4OD X 1,	DF0506	DF0506	DF0506	2
11 & 12	TEE MALE RUN	DF0509	DF0509	DF0509	1
obs	ELBOW 90 MALE 1/4OD X 1,	DF0511	DF0511	DF0511	2
11 & 12	CAPSCREW HEX HD1/4-20UNC	DJ0023	DJ0023	DJ0023	4
37	CAPSCREW HEX HD5/16-18NC	DJ0031	DJ0031	DJ0031	4
35	CAPSCREW HEX HD3/8-16UNC	DJ0063	DJ0063	DJ0063	8
44	CAPSCREW HEX HD3/8-16UNC	DJ0066	DJ0066	DJ0066	24
33	NUT HEX STD 5/16-18UN	DJ0226	DJ0226	DJ0226	8
37	WASHER HOLDING 11/32IDX1	DJ0277	DJ0277	DJ0277	4
35	STUD BOLT 3/8-16UNX1-7/1	DJ0471	DJ0471	DJ0471	20
43	STUD BOLT 3/8-16UNX1-13/	DJ0472	DJ0472	DJ0472	4
Pump Mounting	STUD PUMP CASE 1/2-13NCX,	DJ0478	DJ0478	DJ0478	16
obs	NIPPLE STD 1/4NPTX1-,	DL0021	DL0021	DL0021	2
6	NIPPLE STD 1/4NPTX1-1/2	DL0022	DL0022	DL0022	1
obs	NIPPLE STD 1-1/4NPTX,	DL0097	DL0097	DL0097	1
11,12,14	NIPPLE, RIGID	DE1591	DE1591	DE1591	1
11,12,14	NIPPLE, RIGID	DE1592	DE1592	DE1592	1
11,12,14	NIPPLE, RIGID	DE0570	DE0570	DE0570	1
	LOCK NUT/ RIGID	P34460	P34460	P34460	12
	NIPPLE, STD	J89374	J89374	J89374	2
33	STUD VLV SEAT 5/16DIA X 1-3/16	DV0032	DV0032	DV0032	8
1	PLUG EQUALIZINGA711-8235,	DV1149	DV1149	DV1149	1
1	PLUG SQ HD 1/2NPT ,	H47900	H47900	H47900	1
1	PLUG HEX HD 1/4NPT ,	P39040	P39040	P39040	4
38,38,39,40	NUT HX STD 3/8-16UNC,	P52380	P52380	P52380	24
	ELBOW MALE COMP 3/8OD X 1/4 MPT	S41800	S41800	S41800	2
1	PLUG SQ HD 1NPT	U19200	U19200	U19200	2
Pump Mounting	NUT HEX LGT 1/2-13UNC,	F11400	F11400	F11400	16
38 & 39	CAPSCREW HEX HD5/16-18UN	DJ0034	DJ0034	DJ0034	8
38 & 39	CAPSCREW,HEX HD 3/8-16NC	H52100	H52100	H52100	4
38 & 39	NUT HX STD 3/8-16UNC	P52380	P52380	P52380	4

Complete gasket kit - part number 180019 (qty 2 required)

30 VLS / 30 HVS SIMPLEX SPECIAL CAPACITY-3500 RPM

Item #	Description	Part number			Qty
		20 PSI	30PSI	40PSI	
1	RECEIVER ,	DR0274	DR0274	DR0274	1
3	3" INLET BASKET STRAINER ASSEM.	DA0182	DA0182	DA0182	1
3a	STRAINER SCREEN ONLY	DA0018	DA0018	DA0018	1
3b	STRAINER COVER GASKET	DG0160	DG0160	DG0160	1
3c	NIPPLE STD 3NPTX4LG	DL0153	DL0153	DL0153	1
5	COMPOUND GAUGE	DA0114	DA0114	DA0114	1
5a	GAGE COCK 1/4FPT	DV0325	DV0325	DV0325	1
6	VACUUM BREAKER 3/4IN #26	DA0061	DA0061	DA0061	1
7	ANGLE THERMOMETER	DA0104	DA0104	DA0104	1
8a	VALVE SET 5/8 WATER	DV0342	DV0342	DV0342	1
8b	GAUGE GLASS 5/8X9	DV0347	DV0347	DV0347	1
8c	GUARD ROD 3/16DIA X 11	DV0367	DV0367	DV0367	2
10	VACUUM SWITCH (SIMPLEX)	DE0988	DE0988	DE0988	1
12	FLOAT SWITCH ASSEMBLY	DA0393	DA0393	DA0393	1
12a	FLOAT BALL ONLY	DA0165	DA0165	DA0165	1
12b	FLOAT SWITCH SEAL KIT	180095	180095	180095	1
13	COPPER TUBING	X42104	X42104	X42104	4
17	SWING CHECK VALVE	DV1084	DV1084	DV1084	1
19	LIFTING EYE	DJ0321	DJ0321	DJ0321	2
21	COVER PLATE DISCH MAN	DA0150	DA0150	DA0150	1
21a	GASKET, DRAIN COVER FLAN	DG0127	DG0127	DG0127	1
22	ELBOW 90 STREET-1/4NPT	DF0167	DF0167	DF0167	1
23	FLANGE BLIND	DF0210	DF0210	DF0210	3
23a	FLANGE GASKET	DG0060	DG0060	DG0060	4
24	PLATE AIR VENT	DL0600	DL0600	DL0600	1
24a	GASKET, HOUSING	DG0135	DG0135	DG0135	1
25	DISCHARGE MANIFOLD BODY	DL1471	DL1471	DL1471	1
25a	GASKET, NOZ BODY DISCH M	DG0151	DG0151	DG0151	1
26	NOZZLE BODY COVER PLATE	DL1480	DL1480	DL1480	1
27	COVER PLATE MANIFOLD ,	DL1738	DL1738	DL1738	2
29	BUSHING	DF0041	DF0041	DF0041	1
30	NIPPLE	J89331	J89331	J89331	1
31	DIS. SOLENOID VALVE (115v)	DE1861	DE1861	DE1861	1
	--OR--				
31	DIS. SOLENOID VALVE (208v / 230v)	DE1862	DE1862	DE1862	1
32	DIN CONNECTOR	DE1645	DE1645	DE1645	1
33	CHECK VALVE ASM3 IN	DV0083	DV0083	DV0083	1
33a	CHECK VALVE FACING ONLY	DV0072	DV0072	DV0072	1
34	INSERT MANIFOLD LG	DL1702	DL1702	DL1702	1
	GASKET, NOZZLE BODY 30-7	DG0154	DG0154	DG0154	2
35	NOZZLE BODY	DL1437	DL1437	DL1437	1
36	NOZZLE	DL1323	DL1334	DL1322	1
37	VENTURI	DL1184	DL1174	DL1177	1
38	MANIFOLD EL 90 RED. 3X2I	DL1710	DL1710	DL1710	1
38a	GASKET, MANIFOLD ELBOW	DG0141	DG0141	DG0141	1
39	MANIFOLD EL 90 STR 3IN	DL1706	DL1706	DL1706	1
27a & 39a & b	GASKET, MANIFOLD FLANGE	DG0142	DG0142	DG0142	4
40	NOZZLE RETAINING RING (or Ret. Screw)	DL1486	DL1486	DL1486	1

FASTENER INFORMATION

Where used	Description	Part number	Part number	Part number	Qty / unit
	CONN MALE STR 1/4OD X 1,	DF0506	DF0506	DF0506	1
	CONN MALE STR 1/4OD X 1,	DF0510	DF0510	DF0510	1
	ELBOW 90 MALE 1/4OD X 1,	DF0511	DF0511	DF0511	1
10	CAPSCREW HEX HD1/4-20UNC	DJ0023	DJ0023	DJ0023	2
37	CAPSCREW HEX HD5/16-18NC	DJ0031	DJ0031	DJ0031	2
26	CAPSCREW HEX HD3/8-16UNC	DJ0063	DJ0063	DJ0063	4
25	CAPSCREW HEX HD3/8-16UNC	DJ0066	DJ0066	DJ0066	12
33	NUT HEX STD 5/16-18UN	DJ0226	DJ0226	DJ0226	4
37	WASHER HOLDING 11/32IDX1	DJ0277	DJ0277	DJ0277	2
35	STUD BOLT 3/8-16UNX1-7/1	DJ0471	DJ0471	DJ0471	20
24	STUD BOLT 3/8-16UNX1-13/	DJ0472	DJ0472	DJ0472	4
Pump Mounting	STUD PUMP CASE 1/2-13NCX,	DJ0478	DJ0478	DJ0478	16
obs	NIPPLE STD 1/4NPTX1-	DL0021	DL0021	DL0021	1
5	NIPPLE STD 1/4NPTX1-1/2	DL0022	DL0022	DL0022	1
obs	NIPPLE STD 1-1/4NPTX,	DL0097	DL0097	DL0097	1
33	STUD VLV SEAT 5/16DIA X 1-3/16	DV0032	DV0032	DV0032	4
1	PLUG EQUALIZINGA711-8235,	DV1149	DV1149	DV1149	1
28	PLUG SQ HD 2-1/2NPT ,	F12200	F12200	F12200	1
1	PLUG SQ HD 1/2NPT ,	H47900	H47900	H47900	1
1	PLUG HEX HD 1/8NPT ,	P39020	P39020	P39020	1
1	PLUG HEX HD 1/4NPT ,	P39040	P39040	P39040	5
24,38,38,39	NUT HX STD 3/8-16UNC,	P52380	P52380	P52380	24
	ELBOW MALE COMP 3/8OD X 1/4 MPT	S41800	S41800	S41800	1
1	PLUG SQ HD 1NPT ,	U19200	U19200	U19200	2
Pump Mounting	NUT HEX LGT 1/2-13UNC,	F11400	F11400	F11400	16
38 & 39	CAPSCREW HEX HD5/16-18UN	DJ0034	DJ0034	DJ0034	4
38 & 39	CAPSCREW,HEX HD 3/8-16NC	H52100	H52100	H52100	4
38 & 39	NUT HX STD 3/8-16UNC	P52380	P52380	P52380	4

Complete gasket kit - part number 180019

30 VLS / 30 HVS DUPLEX SPECIAL CAPACITY-3500 RPM

Item #	Description	Part number			Qty
		20 PSI	30PSI	40PSI	
1	RECEIVER ,	DR0274	DR0274	DR0274	1
4	3" INLET BASKET STRAINER ASSEM.	DA0182	DA0182	DA0182	1
4a	STRAINER SCREEN ONLY	DA0018	DA0018	DA0018	1
4b	STRAINER COVER GASKET	DG0160	DG0160	DG0160	1
4c	NIPPLE STD 3NPTX4LG	DL0153	DL0153	DL0153	1
6	COMPOUND GAUGE	DA0114	DA0114	DA0114	1
6a	GAGE COCK 1/4FPT	DV0325	DV0325	DV0325	1
7	VACUUM BREAKER 3/4IN #26	DA0061	DA0061	DA0061	1
8	ANGLE THERMOMETER	DA0104	DA0104	DA0104	1
9a	VALVE SET 5/8 WATER	DV0342	DV0342	DV0342	1
9b	GAUGE GLASS 5/8X9	DV0347	DV0347	DV0347	1
9c	GUARD ROD 3/16DIA X 11	DV0367	DV0367	DV0367	2
11 & 12	VACUUM SWITCH (DUPLEX)	DE0987	DE0987	DE0987	2
14	FLOAT SWITCH ASSEMBLY	DA0393	DA0393	DA0393	2
14a	FLOAT BALL ONLY	DA0165	DA0165	DA0165	2
14b	FLOAT SWITCH SEAL KIT	180095	180095	180095	2
16	COPPER TUBING	X42104	X42104	X42104	8
17 & 19	DIS. SOLENOID VALVE (115v)	DE1861	DE1861	DE1861	2
	--OR--				
17 & 19	DIS. SOLENOID VALVE (208v / 230v)	DE1862	DE1862	DE1862	2
22	SWING CHECK VALVE	DV1084	DV1084	DV1084	1
24	LIFTING EYE	DJ0321	DJ0321	DJ0321	2
26	COVER PLATE DISCH MAN	DA0150	DA0150	DA0150	2
26a	GASKET, DRAIN COVER FLAN	DG0127	DG0127	DG0127	2
27	ELBOW 90 STREET1-1/4NPT	DF0167	DF0167	DF0167	1
28	FLANGE BLIND	DF0210	DF0210	DF0210	2
28a	FLANGE GASKET	DG0060	DG0060	DG0060	4
29	BUSHING	DF0041	DF0041	DF0041	2
30	NIPPLE	J89331	J89331	J89331	2
32	DIN CONNECTOR	DE1645	DE1645	DE1645	2
33	CHECK VALVE ASM3 IN ,	DV0083	DV0083	DV0083	2
33a	CHECK VALVE FACING ONLY	DV0072	DV0072	DV0072	2
34	INSERT MANIFOLD LG ,	DL1702	DL1702	DL1702	2
35a	GASKET, NOZZLE BODY 30-7	DG0154	DG0154	DG0154	2
35	NOZZLE BODY	DL1437	DL1437	DL1437	2
36	NOZZLE	DL1323	DL1334	DL1322	2
37	VENTURI	DL1184	DL1174	DL1177	2
38	MANIFOLD EL 90 RED. 3X2I	DL1710	DL1710	DL1710	1
38a	GASKET, MANIFOLD ELBOW	DG0141	DG0141	DG0141	2
39	MANIFOLD EL 90 STR 3IN	DL1706	DL1706	DL1706	1
27,39,41	GASKET, MANIFOLD FLANGE	DG0142	DG0142	DG0142	5
40	NOZZLE RETAINING RING (or Ret. Screw)	DL1486	DL1486	DL1486	2
41	MANIFOLD ELBOW	DL1712	DL1712	DL1712	1
42	MANIFOLD ELBOW	DL1744	DL1744	DL1744	1
43	PLATE AIR VENT ,	DL0600	DL0600	DL0600	1
43a	GASKET, HOUSING	DG0135	DG0135	DG0135	1
44	DISCHARGE MANIFOLD BODY	DL1471	DL1471	DL1471	2
44a	GASKET, NOZ BODY DISCH M	DG0151	DG0151	DG0151	2

FASTENER INFORMATION

Where used	Description	Part number			Qty / unit
		20 PSI	30 PSI	40 PSI	
11 & 12	CONN MALE STR 1/4OD X 1,	DF0506	DF0506	DF0506	2
11 & 12	TEE MALE RUN	DF0509	DF0509	DF0509	1
obs	ELBOW 90 MALE 1/4OD X 1,	DF0511	DF0511	DF0511	2
11 & 12	CAPSCREW HEX HD1/4-20UNC	DJ0023	DJ0023	DJ0023	4
37	CAPSCREW HEX HD5/16-18NC	DJ0031	DJ0031	DJ0031	4
35	CAPSCREW HEX HD3/8-16UNC	DJ0063	DJ0063	DJ0063	8
44	CAPSCREW HEX HD3/8-16UNC	DJ0066	DJ0066	DJ0066	24
33	NUT HEX STD 5/16-18UN	DJ0226	DJ0226	DJ0226	8
37	WASHER HOLDING 11/32IDX1	DJ0277	DJ0277	DJ0277	4
35	STUD BOLT 3/8-16UNX1-7/1	DJ0471	DJ0471	DJ0471	20
43	STUD BOLT 3/8-16UNX1-13/	DJ0472	DJ0472	DJ0472	4
Pump Mounting	STUD PUMP CASE 1/2-13NCX,	DJ0478	DJ0478	DJ0478	16
obs	NIPPLE STD 1/4NPTX1-,	DL0021	DL0021	DL0021	2
6	NIPPLE STD 1/4NPTX1-1/2	DL0022	DL0022	DL0022	1
obs	NIPPLE STD 1-1/4NPTX,	DL0097	DL0097	DL0097	1
11,12,14	NIPPLE, RIGID	DE1591	DE1591	DE1591	1
11,12,14	NIPPLE, RIGID	DE1592	DE1592	DE1592	1
11,12,14	NIPPLE, RIGID	DE0570	DE0570	DE0570	1
	LOCK NUT/ RIGID	P34460	P34460	P34460	12
	NIPPLE, STD	J89374	J89374	J89374	2
33	STUD VLV SEAT 5/16DIA X 1-3/16	DV0032	DV0032	DV0032	8
1	PLUG EQUALIZINGA711-8235,	DV1149	DV1149	DV1149	1
1	PLUG SQ HD 1/2NPT ,	H47900	H47900	H47900	1
1	PLUG HEX HD 1/4NPT ,	P39040	P39040	P39040	4
38,38,39,40	NUT HX STD 3/8-16UNC,	P52380	P52380	P52380	24
	ELBOW MALE COMP 3/8OD X 1/4 MPT	S41800	S41800	S41800	2
1	PLUG SQ HD 1NPT	U19200	U19200	U19200	2
Pump Mounting	NUT HEX LGT 1/2-13UNC,	F11400	F11400	F11400	16
38 & 39	CAPSCREW HEX HD5/16-18UN	DJ0034	DJ0034	DJ0034	8
38 & 39	CAPSCREW,HEX HD 3/8-16NC	H52100	H52100	H52100	4
38 & 39	NUT HX STD 3/8-16UNC	P52380	P52380	P52380	4

Complete gasket kit - part number 180019 (qty 2 required)

30VL / 30HV SIMPLEX STANDARD CAPACITY-1750 RPM

Item #	Description	Part number		Qty
		20 PSI	30PSI	
1	RECEIVER ,	DR0274	DR0274	1
3	3" INLET BASKET STRAINER ASSEM.	DA0182	DA0182	1
3a	STRAINER SCREEN ONLY	DA0018	DA0018	1
3b	STRAINER COVER GASKET	DG0160	DG0160	1
3c	NIPPLE STD 3NPTX4LG	DL0153	DL0153	1
5	COMPOUND GAUGE	DA0114	DA0114	1
5a	GAGE COCK 1/4FPT	DV0325	DV0325	1
6	VACUUM BREAKER 3/4IN #26	DA0061	DA0061	1
7	ANGLE THERMOMETER	DA0104	DA0104	1
8a	VALVE SET 5/8 WATER	DV0342	DV0342	1
8b	GAUGE GLASS 5/8X9	DV0347	DV0347	1
8c	GUARD ROD 3/16DIA X 11	DV0367	DV0367	2
10	VACUUM SWITCH (SIMPLEX)	DE0988	DE0988	1
12	FLOAT SWITCH ASSEMBLY	DA0393	DA0393	1
12a	FLOAT BALL ONLY	DA0165	DA0165	1
12b	FLOAT SWITCH SEAL KIT	180095	180095	1
13	COPPER TUBING	X42104	X42104	4
17	SWING CHECK VALVE	DV1084	DV1084	1
19	LIFTING EYE	DJ0321	DJ0321	2
21	COVER PLATE DISCH MAN	DA0150	DA0150	1
21a	GASKET, DRAIN COVER FLAN	DG0127	DG0127	1
22	ELBOW 90 STREET1-1/4NPT	DF0167	DF0167	1
23	FLANGE BLIND	DF0210	DF0210	3
23a	FLANGE GASKET	DG0060	DG0060	4
24	PLATE AIR VENT ,	DL0600	DL0600	1
24a	GASKET, HOUSING	DG0135	DG0135	1
25	DISCHARGE MANIFOLD BODY	DL1471	DL1471	1
25a	GASKET, NOZ BODY DISCH M	DG0151	DG0151	1
26	NOZZLE BODY COVER PLATE	DL1480	DL1480	1
27	COVER PLATE MANIFOLD ,	DL1738	DL1738	2
29	BUSHING	DF0041	DF0041	1
30	NIPPLE	J89331	J89331	1
31	DIS. SOLENOID VALVE (115v)	DE1861	DE1861	1
	--OR--			
31	DIS. SOLENOID VALVE (208v / 230v)	DE1862	DE1862	1
32	DIN CONNECTOR	DE1645	DE1645	1
33	CHECK VALVE ASM3 IN ,	DV0083	DV0083	1
33a	CHECK VALVE FACING ONLY	DV0072	DV0072	1
34	INSERT MANIFOLD LG ,	DL1702	DL1702	1
	GASKET, NOZZLE BODY 30-7	DG0154	DG0154	2
35	NOZZLE BODY	DL1437	DL1437	1
36	NOZZLE	DL1321	DL1320	1
37	VENTURI	DL1193	DL1194	1
38	MANIFOLD EL 90 RED. 3X2I	DL1710	DL1710	1
38a	GASKET, MANIFOLD ELBOW	DG0141	DG0141	1
39	MANIFOLD EL 90 STR 3IN	DL1706	DL1706	1
27a & 39a & b	GASKET, MANIFOLD FLANGE	DG0142	DG0142	4
40	NOZZLE RETAINING RING (or Ret. Screw)	DL1486	DL1486	1

FASTENER INFORMATION

Where used	Description	Part number	Part number	Qty / unit
	CONN MALE STR 1/4OD X 1,	DF0506	DF0506	1
	CONN MALE STR 1/4OD X 1,	DF0510	DF0510	1
	ELBOW 90 MALE 1/4OD X 1,	DF0511	DF0511	1
10	CAPSCREW HEX HD1/4-20UNC	DJ0023	DJ0023	2
37	CAPSCREW HEX HD5/16-18NC	DJ0031	DJ0031	2
26	CAPSCREW HEX HD3/8-16UNC	DJ0063	DJ0063	4
25	CAPSCREW HEX HD3/8-16UNC	DJ0066	DJ0066	12
33	NUT HEX STD 5/16-18UN	DJ0226	DJ0226	4
37	WASHER HOLDING 11/32IDX1	DJ0277	DJ0277	2
35	STUD BOLT 3/8-16UNX1-7/1	DJ0471	DJ0471	20
24	STUD BOLT 3/8-16UNX1-13/	DJ0472	DJ0472	4
Pump Mounting	STUD PUMP CASE 1/2-13NCX,	DJ0478	DJ0478	16
obs	NIPPLE STD 1/4NPTX1-,	DL0021	DL0021	1
5	NIPPLE STD 1/4NPTX1-1/2	DL0022	DL0022	1
obs	NIPPLE STD 1-1/4NPTX,	DL0097	DL0097	1
33	STUD VLV SEAT 5/16DIA X 1-3/16	DV0032	DV0032	4
1	PLUG EQUALIZINGA711-8235,	DV1149	DV1149	1
28	PLUG SQ HD 2-1/2NPT ,	F12200	F12200	1
1	PLUG SQ HD 1/2NPT ,	H47900	H47900	1
1	PLUG HEX HD 1/8NPT ,	P39020	P39020	1
1	PLUG HEX HD 1/4NPT ,	P39040	P39040	5
24,38,38,39	NUT HX STD 3/8-16UNC,	P52380	P52380	24
	ELBOW MALE COMP 3/8OD X 1/4 MPT	S41800	S41800	1
1	PLUG SQ HD 1NPT ,	U19200	U19200	2
Pump Mounting	NUT HEX LGT 1/2-13UNC,	F11400	F11400	16
38 & 39	CAPSCREW HEX HD5/16-18UN	DJ0034	DJ0034	4
38 & 39	CAPSCREW,HEX HD 3/8-16NC	H52100	H52100	4
38 & 39	NUT HX STD 3/8-16UNC	P52380	P52380	4

Complete gasket kit - part number 180019

30 VL / 30 HV DUPLEX STANDARD CAPACITY-1750 RPM

Item #	Description	Part number		Qty
		20 PSI	30PSI	
1	RECEIVER ,	DR0274	DR0274	1
4	3" INLET BASKET STRAINER ASSEM.	DA0182	DA0182	1
4a	STRAINER SCREEN ONLY	DA0018	DA0018	1
4b	STRAINER COVER GASKET	DG0160	DG0160	1
4c	NIPPLE STD 3NPTX4LG	DL0153	DL0153	1
6	COMPOUND GAUGE	DA0114	DA0114	1
6a	GAGE COCK 1/4FPT	DV0325	DV0325	1
7	VACUUM BREAKER 3/4IN #26	DA0061	DA0061	1
8	ANGLE THERMOMETER	DA0104	DA0104	1
9a	VALVE SET 5/8 WATER	DV0342	DV0342	1
9b	GAUGE GLASS 5/8X9	DV0347	DV0347	1
9c	GUARD ROD 3/16DIA X 11	DV0367	DV0367	2
11 & 12	VACUUM SWITCH (DUPLEX)	DE0987	DE0987	2
14	FLOAT SWITCH ASSEMBLY	DA0393	DA0393	2
14a	FLOAT BALL ONLY	DA0165	DA0165	2
14b	FLOAT SWITCH SEAL KIT	180095	180095	2
16	COPPER TUBING	X42104	X42104	8
17 & 19	DIS. SOLENOID VALVE (115v)	DE1861	DE1861	2
	--OR--			
17 & 19	DIS. SOLENOID VALVE (208v / 230v)	DE1862	DE1862	2
22	SWING CHECK VALVE	DV1084	DV1084	1
24	LIFTING EYE	DJ0321	DJ0321	2
26	COVER PLATE DISCH MAN	DA0150	DA0150	2
26a	GASKET, DRAIN COVER FLAN	DG0127	DG0127	2
27	ELBOW 90 STREET1-1/4NPT	DF0167	DF0167	1
28	FLANGE BLIND	DF0210	DF0210	2
28a	FLANGE GASKET	DG0060	DG0060	4
29	BUSHING	DF0041	DF0041	2
30	NIPPLE	J89331	J89331	2
32	DIN CONNECTOR	DE1645	DE1645	2
33	CHECK VALVE ASM3 IN ,	DV0083	DV0083	2
33a	CHECK VALVE FACING ONLY	DV0072	DV0072	2
34	INSERT MANIFOLD LG ,	DL1702	DL1702	2
35a	GASKET, NOZZLE BODY 30-7	DG0154	DG0154	2
35	NOZZLE BODY	DL1437	DL1437	2
36	NOZZLE	DL1321	DL1320	2
37	VENTURI	DL1193	DL1194	2
38	MANIFOLD EL 90 RED. 3X2I	DL1710	DL1710	1
38a	GASKET, MANIFOLD ELBOW	DG0141	DG0141	2
39	MANIFOLD EL 90 STR 3IN	DL1706	DL1706	1
27,39,41	GASKET, MANIFOLD FLANGE	DG0142	DG0142	5
40	NOZZLE RETAINING RING (or Ret. Screw)	DL1486	DL1486	2
41	MANIFOLD ELBOW	DL1712	DL1712	1
42	MANIFOLD ELBOW	DL1744	DL1744	1
43	PLATE AIR VENT ,	DL0600	DL0600	1
43a	GASKET, HOUSING	DG0135	DG0135	1
44	DISCHARGE MANIFOLD BODY	DL1471	DL1471	2
44a	GASKET, NOZ BODY DISCH M	DG0151	DG0151	2

FASTENER INFORMATION

Where used	Description	Part number		Qty / unit
		20 PSI	30 PSI	
11 & 12	CONN MALE STR 1/4OD X 1,	DF0506	DF0506	2
11 & 12	TEE MALE RUN	DF0509	DF0509	1
obs	ELBOW 90 MALE 1/4OD X 1,	DF0511	DF0511	2
11 & 12	CAPSCREW HEX HD1/4-20UNC	DJ0023	DJ0023	4
37	CAPSCREW HEX HD5/16-18NC	DJ0031	DJ0031	4
35	CAPSCREW HEX HD3/8-16UNC	DJ0063	DJ0063	8
44	CAPSCREW HEX HD3/8-16UNC	DJ0066	DJ0066	24
33	NUT HEX STD 5/16-18UN	DJ0226	DJ0226	8
37	WASHER HOLDING 11/32IDX1	DJ0277	DJ0277	4
35	STUD BOLT 3/8-16UNX1-7/1	DJ0471	DJ0471	20
43	STUD BOLT 3/8-16UNX1-13/	DJ0472	DJ0472	4
Pump Mounting	STUD PUMP CASE 1/2-13NCX,	DJ0478	DJ0478	16
obs	NIPPLE STD 1/4NPTX1-,	DL0021	DL0021	2
6	NIPPLE STD 1/4NPTX1-1/2	DL0022	DL0022	1
obs	NIPPLE STD 1-1/4NPTX,	DL0097	DL0097	1
11,12,14	NIPPLE, RIGID	DE1591	DE1591	1
11,12,14	NIPPLE, RIGID	DE1592	DE1592	1
11,12,14	NIPPLE, RIGID	DE0570	DE0570	1
	LOCK NUT/ RIGID	P34460	P34460	12
	NIPPLE , STD	J89374	J89374	2
33	STUD VLV SEAT 5/16DIA X 1-3/16	DV0032	DV0032	8
1	PLUG EQUALIZINGA711-8235,	DV1149	DV1149	1
1	PLUG SQ HD 1/2NPT ,	H47900	H47900	1
1	PLUG HEX HD 1/4NPT ,	P39040	P39040	4
38,38,39,40	NUT HX STD 3/8-16UNC,	P52380	P52380	24
	ELBOW MALE COMP 3/8OD X 1/4 MPT	S41800	S41800	2
1	PLUG SQ HD 1NPT ,	U19200	U19200	2
Pump Mounting	NUT HEX LGT 1/2-13UNC,	F11400	F11400	16
38 & 39	CAPSCREW HEX HD5/16-18UN	DJ0034	DJ0034	8
38 & 39	CAPSCREW,HEX HD 3/8-16NC	H52100	H52100	4
38 & 39	NUT HX STD 3/8-16UNC	P52380	P52380	4

Complete gasket kit - part number 180019 (qty 2 required)

30 VLS / 30 HVS SIMPLEX SPECIAL CAPACITY-1750 RPM

Item #	Description	Part number		Qty
		20 PSI	30PSI	
1	RECEIVER ,	DR0274	DR0274	1
3	3" INLET BASKET STRAINER ASSEM.	DA0182	DA0182	1
3a	STRAINER SCREEN ONLY	DA0018	DA0018	1
3b	STRAINER COVER GASKET	DG0160	DG0160	1
3c	NIPPLE STD 3NPTX4LG	DL0153	DL0153	1
5	COMPOUND GAUGE	DA0114	DA0114	1
5a	GAGE COCK 1/4FPT	DV0325	DV0325	1
6	VACUUM BREAKER 3/4IN #26	DA0061	DA0061	1
7	ANGLE THERMOMETER	DA0104	DA0104	1
8a	VALVE SET 5/8 WATER	DV0342	DV0342	1
8b	GAUGE GLASS 5/8X9	DV0347	DV0347	1
8c	GUARD ROD 3/16DIA X 11	DV0367	DV0367	2
10	VACUUM SWITCH (SIMPLEX)	DE0988	DE0988	1
12	FLOAT SWITCH ASSEMBLY	DA0393	DA0393	1
12a	FLOAT BALL ONLY	DA0165	DA0165	1
12b	FLOAT SWITCH SEAL KIT	180095	180095	1
13	COPPER TUBING	X42104	X42104	4
17	SWING CHECK VALVE	DV1084	DV1084	1
19	LIFTING EYE	DJ0321	DJ0321	2
21	COVER PLATE DISCH MAN	DA0150	DA0150	1
21a	GASKET, DRAIN COVER FLAN	DG0127	DG0127	1
22	ELBOW 90 STREET1-1/4NPT	DF0167	DF0167	1
23	FLANGE BLIND	DF0210	DF0210	3
23a	FLANGE GASKET	DG0060	DG0060	4
24	PLATE AIR VENT	DL0600	DL0600	1
24a	GASKET, HOUSING	DG0135	DG0135	1
25	DISCHARGE MANIFOLD BODY	DL1471	DL1471	1
25a	GASKET, NOZ BODY DISCH M	DG0151	DG0151	1
26	NOZZLE BODY COVER PLATE	DL1480	DL1480	1
27	COVER PLATE MANIFOLD ,	DL1738	DL1738	2
29	BUSHING	DF0041	DF0041	1
30	NIPPLE	J89331	J89331	1
31	DIS. SOLENOID VALVE (115v)	DE1861	DE1861	1
	--OR--			
31	DIS. SOLENOID VALVE (208v / 230v)	DE1862	DE1862	1
32	DIN CONNECTOR	DE1645	DE1645	1
33	CHECK VALVE ASM3 IN	DV0083	DV0083	1
33a	CHECK VALVE FACING ONLY	DV0072	DV0072	1
34	INSERT MANIFOLD LG	DL1702	DL1702	1
	GASKET, NOZZLE BODY 30-7	DG0154	DG0154	2
35	NOZZLE BODY	DL1437	DL1437	1
36	NOZZLE	DL1317	DL1334	1
37	VENTURI	DL1174	DL1176	1
38	MANIFOLD EL 90 RED. 3X2I	not applicable	not applicable	not applicable
38a	GASKET, MANIFOLD ELBOW	not applicable	not applicable	not applicable
	CASE GASKET	DG0070	DG0070	1
39	MANIFOLD EL 90 STR 3IN	DL1708	DL1708	1
27a & 39a & b	GASKET, MANIFOLD FLANGE	DG0142	DG0142	4
40	NOZZLE RETAINING RING (or Ret. Screw)	DL1486	DL1486	1

FASTENER INFORMATION

Where used	Description	Part number	Part number	Qty / unit
	CONN MALE STR 1/4OD X 1,	DF0506	DF0506	1
	CONN MALE STR 1/4OD X 1,	DF0510	DF0510	1
	ELBOW 90 MALE 1/4OD X 1,	DF0511	DF0511	1
10	CAPSCREW HEX HD1/4-20UNC	DJ0023	DJ0023	2
37	CAPSCREW HEX HD5/16-18NC	DJ0031	DJ0031	2
26	CAPSCREW HEX HD3/8-16UNC	DJ0063	DJ0063	4
25	CAPSCREW HEX HD3/8-16UNC	DJ0066	DJ0066	12
33	NUT HEX STD 5/16-18UN	DJ0226	DJ0226	4
37	WASHER HOLDING 11/32IDX1	DJ0277	DJ0277	2
35	STUD BOLT 3/8-16UNX1-7/1	DJ0471	DJ0471	20
24	STUD BOLT 3/8-16UNX1-13/	DJ0472	DJ0472	4
Pump Mounting	STUD PUMP CASE 1/2-13NCX,	DJ0478	DJ0478	16
obs	NIPPLE STD 1/4NPTX1-	DL0021	DL0021	1
5	NIPPLE STD 1/4NPTX1-1/2	DL0022	DL0022	1
obs	NIPPLE STD 1-1/4NPTX,	DL0097	DL0097	1
33	STUD VLV SEAT 5/16DIA X 1-3/16	DV0032	DV0032	4
1	PLUG EQUALIZINGA711-8235,	DV1149	DV1149	1
28	PLUG SQ HD 2-1/2NPT ,	F12200	F12200	1
1	PLUG SQ HD 1/2NPT ,	H47900	H47900	1
1	PLUG HEX HD 1/8NPT ,	P39020	P39020	1
1	PLUG HEX HD 1/4NPT ,	P39040	P39040	5
	CAPSCREW 3/4-10 X 1-1/2	P19810	P19810	1
24,38,38,39	NUT HX STD 3/8-16UNC,	P52380	P52380	24
	ELBOW MALE COMP 3/8OD X 1/4 MPT	S41800	S41800	1
1	PLUG SQ HD 1NPT	U19200	U19200	2
Pump Mounting	NUT HEX LGT 1/2-13UNC,	F11400	F11400	16
38 & 39	CAPSCREW HEX HD5/16-18UN	DJ0034	DJ0034	4
38 & 39	CAPSCREW,HEX HD 3/8-16NC	not applicable	not applicable	not applicable
38 & 39	NUT HX STD 3/8-16UNC	not applicable	not applicable	not applicable

Complete gasket kit - part number 180019

30 VLS / 30 HVS DUPLEX SPECIAL CAPACITY-1750 RPM

Item #	Description	Part number		Qty
		20 PSI	30PSI	
1	RECEIVER ,	DR0274	DR0274	1
4	3" INLET BASKET STRAINER ASSEM.	DA0182	DA0182	1
4a	STRAINER SCREEN ONLY	DA0018	DA0018	1
4b	STRAINER COVER GASKET	DG0160	DG0160	1
4c	NIPPLE STD 3NPTX4LG	DL0153	DL0153	1
6	COMPOUND GAUGE	DA0114	DA0114	1
6a	GAGE COCK 1/4FPT	DV0325	DV0325	1
7	VACUUM BREAKER 3/4IN #26	DA0061	DA0061	1
8	ANGLE THERMOMETER	DA0104	DA0104	1
9a	VALVE SET 5/8 WATER	DV0342	DV0342	1
9b	GAUGE GLASS 5/8X9	DV0347	DV0347	1
9c	GUARD ROD 3/16DIA X 11	DV0367	DV0367	2
11 & 12	VACUUM SWITCH (DUPLEX)	DE0987	DE0987	2
14	FLOAT SWITCH ASSEMBLY	DA0393	DA0393	2
14a	FLOAT BALL ONLY	DA0165	DA0165	2
14b	FLOAT SWITCH SEAL KIT	180095	180095	2
16	COPPER TUBING	X42104	X42104	8
17 & 19	DIS. SOLENOID VALVE (115v)	DE1859	DE1859	2
	--OR--			
17 & 19	DIS. SOLENOID VALVE (208v / 230v)	DE1860	DE1860	2
22	SWING CHECK VALVE	DV1084	DV1084	1
24	LIFTING EYE	DJ0321	DJ0321	2
26	COVER PLATE DISCH MAN	DA0150	DA0150	2
26a	GASKET, DRAIN COVER FLAN	DG0127	DG0127	2
27	ELBOW 90 STREET1-1/4NPT	DF0167	DF0167	1
28	FLANGE BLIND	DF0210	DF0210	2
28a	FLANGE GASKET	DG0060	DG0060	4
29	BUSHING	DF0040	DF0040	2
30	NIPPLE	DL0113	DL0113	2
32	DIN CONNECTOR	DE1645	DE1645	2
33	CHECK VALVE ASM3 IN	DV0083	DV0083	2
33a	CHECK VALVE FACING ONLY	DV0072	DV0072	2
34	INSERT MANIFOLD LG	DL1702	DL1702	2
35a	GASKET, NOZZLE BODY 30-7	DG0154	DG0154	2
35	NOZZLE BODY	DL1437	DL1437	2
36	NOZZLE	DL1317	DL1334	2
37	VENTURI	DL1174	DL1176	2
38	MANIFOLD EL 90 RED. 3X2I	not applicable	not applicable	1
38a	GASKET, MANIFOLD ELBOW	not applicable	not applicable	2
	CASE GASKET	DG0070	DG0070	2
39	MANIFOLD EL 90 STR 3IN	DL1708	DL1708	1
27,39,41	GASKET, MANIFOLD FLANGE	DG0142 (qty 6)	DG0142 (qty 6)	**
40	NOZZLE RETAINING RING (or Ret. Screw)	DL1486	DL1486	2
41	MANIFOLD ELBOW	DL1746	DL1746	1
42	MANIFOLD ELBOW	DL1744	DL1744	1
43	PLATE AIR VENT	DL0600	DL0600	1
43a	GASKET, HOUSING	DG0135	DG0135	1
44	DISCHARGE MANIFOLD BODY	DL1471	DL1471	2
44a	GASKET, NOZ BODY DISCH M	DG0151	DG0151	2

FASTENER INFORMATION

Where used	Description	Part number	Part number	Qty / unit
		20 PSI	30 PSI	
11 & 12	CONN MALE STR 1/4OD X 1,	DF0506	DF0506	2
11 & 12	TEE MALE RUN	DF0509	DF0509	1
obs	ELBOW 90 MALE 1/4OD X 1,	DF0511	DF0511	2
11 & 12	CAPSCREW HEX HD1/4-20UNC	DJ0023	DJ0023	4
37	CAPSCREW HEX HD5/16-18NC	DJ0031	DJ0031	4
35	CAPSCREW HEX HD3/8-16UNC	DJ0063	DJ0063	8
44	CAPSCREW HEX HD3/8-16UNC	DJ0066	DJ0066	24
33	NUT HEX STD 5/16-18UN	DJ0226	DJ0226	8
37	WASHER HOLDING 11/32IDX1	DJ0277	DJ0277	4
35	STUD BOLT 3/8-16UNX1-7/1	DJ0471	DJ0471	20
43	STUD BOLT 3/8-16UNX1-13/	DJ0472	DJ0472	4
Pump Mounting	STUD PUMP CASE 1/2-13NCX,	DJ0478	DJ0478	16
obs	NIPPLE STD 1/4NPTX1-,	DL0021	DL0021	2
6	NIPPLE STD 1/4NPTX1-1/2	DL0022	DL0022	1
obs	NIPPLE STD 1-1/4NPTX,	DL0097	DL0097	1
11,12,14	NIPPLE, RIGID	DE1591	DE1591	1
11,12,14	NIPPLE, RIGID	DE1592	DE1592	1
11,12,14	NIPPLE, RIGID	DE0570	DE0570	1
	LOCK NUT/ RIGID	P34460	P34460	12
	NIPPLE, STD	J89374	J89374	2
33	STUD VLV SEAT 5/16DIA X 1-3/16	DV0032	DV0032	8
1	PLUG EQUALIZINGA711-8235,	DV1149	DV1149	1
1	PLUG SQ HD 1/2NPT	H47900	H47900	1
1	PLUG HEX HD 1/4NPT	P39040	P39040	4
	CAPSCREW 3/4-10 X 1-1/2	P19810	P19810	2
38,38,39,40	NUT HX STD 3/8-16UNC,	P52380	P52380	24
	ELBOW MALE COMP 3/8OD X 1/4 MPT	S41800	S41800	2
1	PLUG SQ HD 1NPT	U19200	U19200	2
Pump Mounting	NUT HEX LGT 1/2-13UNC,	F11400	F11400	16
38 & 39	CAPSCREW HEX HD5/16-18UN	not applicable	not applicable	not applicable
38 & 39	CAPSCREW,HEX HD 3/8-16NC	not applicable	not applicable	not applicable
38 & 39	NUT HX STD 3/8-16UNC	not applicable	not applicable	not applicable

Complete gasket kit - part number 180019 (qty 2 required)

40 VL / 40 HV SIMPLEX STANDARD CAPACITY- 3500 RPM

Item #	Description	Part number			Qty
		20 PSI	30PSI	40PSI	
1	RECEIVER ,	DR0274	DR0274	DR0274	1
3	3" INLET BASKET STRAINER ASSEM.	DA0182	DA0182	DA0182	1
3a	STRAINER SCREEN ONLY	DA0018	DA0018	DA0018	1
3b	STRAINER COVER GASKET	DG0160	DG0160	DG0160	1
3c	NIPPLE STD 3NPTX4LG	DL0153	DL0153	DL0153	1
5	COMPOUND GAUGE	DA0114	DA0114	DA0114	1
5a	GAGE COCK 1/4FPT	DV0325	DV0325	DV0325	1
6	VACUUM BREAKER 3/4IN #26	DA0061	DA0061	DA0061	1
7	ANGLE THERMOMETER	DA0104	DA0104	DA0104	1
8a	VALVE SET 5/8 WATER	DV0342	DV0342	DV0342	1
8b	GAUGE GLASS 5/8X9	DV0347	DV0347	DV0347	1
8c	GUARD ROD 3/16DIA X 11	DV0367	DV0367	DV0367	2
10	VACUUM SWITCH (SIMPLEX)	DE0988	DE0988	DE0988	1
12	FLOAT SWITCH ASSEMBLY	DA0393	DA0393	DA0393	1
12a	FLOAT BALL ONLY	DA0165	DA0165	DA0165	1
12b	FLOAT SWITCH SEAL KIT	180095	180095	180095	1
13	COPPER TUBING	X42104	X42104	X42104	4
17	SWING CHECK VALVE	DV1084	DV1084	DV1084	1
19	LIFTING EYE	DJ0321	DJ0321	DJ0321	2
21	COVER PLATE DISCH MAN	DA0150	DA0150	DA0150	1
21a	GASKET, DRAIN COVER FLAN	DG0127	DG0127	DG0127	1
22	ELBOW 90 STREET1-1/4NPT	DF0167	DF0167	DF0167	1
23	FLANGE BLIND	DF0210	DF0210	DF0210	3
23a	FLANGE GASKET	DG0060	DG0060	DG0060	4
24	PLATE AIR VENT	DL0600	DL0600	DL0600	1
24a	GASKET, HOUSING	DG0135	DG0135	DG0135	1
25	DISCHARGE MANIFOLD BODY	DL1471	DL1471	DL1471	1
25a	GASKET, NOZ BODY DISCH M	DG0151	DG0151	DG0151	1
26	NOZZLE BODY COVER PLATE	DL1480	DL1480	DL1480	1
27	COVER PLATE MANIFOLD ,	DL1738	DL1738	DL1738	2
29	BUSHING	DF0041	DF0041	DF0041	1
30	NIPPLE	J89331	J89331	J89331	1
31	DIS. SOLENOID VALVE (115v)	DE1861	DE1859	DE1859	1
	--OR--				
31	DIS. SOLENOID VALVE (208v / 230v)	DE1862	DE1862	DE1862	1
32	DIN CONNECTOR	DE1645	DE1645	DE1645	1
33	CHECK VALVE ASM3 IN	DV0083	DV0083	DV0083	1
33a	CHECK VALVE FACING ONLY	DV0072	DV0072	DV0072	1
34	INSERT MANIFOLD LG	DL1702	DL1702	DL1702	1
	GASKET, NOZZLE BODY 30-7	DG0154	DG0154	DG0154	2
35	NOZZLE BODY	DL1437	DL1437	DL1436	1
36	NOZZLE	DL1334	DL1342	DL1363	1
37	VENTURI	DL1192	DL1193	DL1116	1
38	MANIFOLD EL 90 RED. 3X2I	DL1710	DL1710	DL1710	1
38a	GASKET, MANIFOLD ELBOW	DG0141	DG0141	DG0141	1
39	MANIFOLD EL 90 STR 3IN	DL1706	DL1706	DL1706	1
27a & 39a & b	GASKET, MANIFOLD FLANGE	DG0142	DG0142	DG0142	4
40	NOZZLE RETAINING RING (or Ret. Screw)	DL1486	DL1486	(P03840)	1

FASTENER INFORMATION

Where used	Description	Part number	Part number	Part number	Qty / unit
	CONN MALE STR 1/4OD X 1,	DF0506	DF0506	DF0506	1
	CONN MALE STR 1/4OD X 1,	DF0510	DF0510	DF0510	1
	ELBOW 90 MALE 1/4OD X 1,	DF0511	DF0511	DF0511	1
10	CAPSCREW HEX HD1/4-20UNC	DJ0023	DJ0023	DJ0023	2
37	CAPSCREW HEX HD5/16-18NC	DJ0031	DJ0031	DJ0031	2
26	CAPSCREW HEX HD3/8-16UNC	DJ0063	DJ0063	DJ0063	4
25	CAPSCREW HEX HD3/8-16UNC	DJ0066	DJ0066	DJ0066	12
33	NUT HEX STD 5/16-18UN	DJ0226	DJ0226	DJ0226	4
37	WASHER HOLDING 11/32IDX1	DJ0277	DJ0277	DJ0277	2
35	STUD BOLT 3/8-16UNX1-7/1	DJ0471	DJ0471	DJ0471	20
24	STUD BOLT 3/8-16UNX1-13/	DJ0472	DJ0472	DJ0472	4
Pump Mounting	STUD PUMP CASE 1/2-13NCX,	DJ0478	DJ0478	DJ0478	16
obs	NIPPLE STD 1/4NPTX1-	DL0021	DL0021	DL0021	1
5	NIPPLE STD 1/4NPTX1-1/2	DL0022	DL0022	DL0022	1
obs	NIPPLE STD 1-1/4NPTX,	DL0097	DL0097	DL0097	1
33	STUD VLV SEAT 5/16DIA X 1-3/16	DV0032	DV0032	DV0032	4
1	PLUG EQUALIZINGA711-8235,	DV1149	DV1149	DV1149	1
28	PLUG SQ HD 2-1/2NPT ,	F12200	F12200	F12200	1
1	PLUG SQ HD 1/2NPT ,	H47900	H47900	H47900	1
1	PLUG HEX HD 1/8NPT ,	P39020	P39020	P39020	1
1	PLUG HEX HD 1/4NPT ,	P39040	P39040	P39040	5
24,38,38,39	NUT HX STD 3/8-16UNC,	P52380	P52380	P52380	24
	ELBOW MALE COMP 3/8OD X 1/4 MPT	S41800	S41800	S41800	1
1	PLUG SQ HD 1NPT ,	U19200	U19200	U19200	2
Pump Mounting	NUT HEX LGT 1/2-13UNC,	F11400	F11400	F11400	16
38 & 39	CAPSCREW HEX HD5/16-18UN	DJ0034	DJ0034	DJ0034	4
38 & 39	CAPSCREW,HEX HD 3/8-16NC	H52100	H52100	H52100	4
38 & 39	NUT HX STD 3/8-16UNC	P52380	P52380	P52380	4

Complete gasket kit - part number 180019

40 VL / 40 HV DUPLEX STANDARD CAPACITY- 3500 RPM

Item #	Description	Part number			Qty
		20 PSI	30PSI	40PSI	
1	RECEIVER ,	DR0274	DR0274	DR0274	1
4	3" INLET BASKET STRAINER ASSEM.	DA0182	DA0182	DA0182	1
4a	STRAINER SCREEN ONLY	DA0018	DA0018	DA0018	1
4b	STRAINER COVER GASKET	DG0160	DG0160	DG0160	1
4c	NIPPLE STD 3NPTX4LG	DL0153	DL0153	DL0153	1
6	COMPOUND GAUGE	DA0114	DA0114	DA0114	1
6a	GAGE COCK 1/4FPT	DV0325	DV0325	DV0325	1
7	VACUUM BREAKER 3/4IN #26	DA0061	DA0061	DA0061	1
8	ANGLE THERMOMETER	DA0104	DA0104	DA0104	1
9a	VALVE SET 5/8 WATER	DV0342	DV0342	DV0342	1
9b	GAUGE GLASS 5/8X9	DV0347	DV0347	DV0347	1
9c	GUARD ROD 3/16DIA X 11	DV0367	DV0367	DV0367	2
11 & 12	VACUUM SWITCH (DUPLEX)	DE0987	DE0987	DE0987	2
14	FLOAT SWITCH ASSEMBLY	DA0393	DA0393	DA0393	2
14a	FLOAT BALL ONLY	DA0165	DA0165	DA0165	2
14b	FLOAT SWITCH SEAL KIT	180095	180095	180095	2
16	COPPER TUBING	X42104	X42104	X42104	8
17 & 19	DIS. SOLENOID VALVE (115v)	DE1861	DE1861	DE1861	2
	--OR--				
17 & 19	DIS. SOLENOID VALVE (208v / 230v)	DE1862	DE1862	DE1862	2
22	SWING CHECK VALVE	DV1084	DV1084	DV1084	1
24	LIFTING EYE	DJ0321	DJ0321	DJ0321	2
26	COVER PLATE DISCH MAN	DA0150	DA0150	DA0150	2
26a	GASKET, DRAIN COVER FLAN	DG0127	DG0127	DG0127	2
27	ELBOW 90 STREET1-1/4NPT	DF0167	DF0167	DF0167	1
28	FLANGE BLIND	DF0210	DF0210	DF0210	2
28a	FLANGE GASKET	DG0060	DG0060	DG0060	4
29	BUSHING	DF0041	DF0041	DF0041	2
30	NIPPLE	J89331	J89331	J89331	2
32	DIN CONNECTOR	DE1645	DE1645	DE1645	2
33	CHECK VALVE ASM3 IN ,	DV0083	DV0083	DV0083	2
33a	CHECK VALVE FACING ONLY	DV0072	DV0072	DV0072	2
34	INSERT MANIFOLD LG ,	DL1702	DL1702	DL1702	2
35a	GASKET, NOZZLE BODY 30-7	DG0154	DG0154	DG0154	2
35	NOZZLE BODY	DL1437	DL1437	DL1436	2
36	NOZZLE	DL1334	DL1342	DL1363	2
37	VENTURI	DL1192	DL1193	DL1116	2
38	MANIFOLD EL 90 RED. 3X2I	DL1710	DL1710	DL1710	1
38a	GASKET, MANIFOLD ELBOW	DG0141	DG0141	DG0141	2
39	MANIFOLD EL 90 STR 3IN	DL1706	DL1706	DL1706	1
27,39,41	GASKET, MANIFOLD FLANGE	DG0142	DG0142	DG0142	5
40	NOZZLE RETAINING RING (or Ret. Screw)	DL1486	DL1486	(P03840)	2
41	MANIFOLD ELBOW	DL1712	DL1712	DL1712	1
42	MANIFOLD ELBOW	DL1744	DL1744	DL1744	1
43	PLATE AIR VENT ,	DL0600	DL0600	DL0600	1
43a	GASKET, HOUSING	DG0135	DG0135	DG0135	1
44	DISCHARGE MANIFOLD BODY	DL1471	DL1471	DL1471	2
44a	GASKET, NOZ BODY DISCH M	DG0151	DG0151	DG0151	2

FASTENER INFORMATION

Where used	Description	Part number			Qty / unit
		20 PSI	30 PSI	40 PSI	
11 & 12	CONN MALE STR 1/4OD X 1,	DF0506	DF0506	DF0506	2
11 & 12	TEE MALE RUN	DF0509	DF0509	DF0509	1
obs	ELBOW 90 MALE 1/4OD X 1,	DF0511	DF0511	DF0511	2
11 & 12	CAPSCREW HEX HD1/4-20UNC	DJ0023	DJ0023	DJ0023	4
37	CAPSCREW HEX HD5/16-18NC	DJ0031	DJ0031	DJ0031	4
35	CAPSCREW HEX HD3/8-16UNC	DJ0063	DJ0063	DJ0063	8
44	CAPSCREW HEX HD3/8-16UNC	DJ0066	DJ0066	DJ0066	24
33	NUT HEX STD 5/16-18UN	DJ0226	DJ0226	DJ0226	8
37	WASHER HOLDING 11/32IDX1	DJ0277	DJ0277	DJ0277	4
35	STUD BOLT 3/8-16UNX1-7/1	DJ0471	DJ0471	DJ0471	20
43	STUD BOLT 3/8-16UNX1-13/	DJ0472	DJ0472	DJ0472	4
Pump Mounting	STUD PUMP CASE 1/2-13NCX,	DJ0478	DJ0478	DJ0478	16
obs	NIPPLE STD 1/4NPTX1-,	DL0021	DL0021	DL0021	2
6	NIPPLE STD 1/4NPTX1-1/2	DL0022	DL0022	DL0022	1
obs	NIPPLE STD 1-1/4NPTX,	DL0097	DL0097	DL0097	1
11,12,14	NIPPLE, RIGID	DE1591	DE1591	DE1591	1
11,12,14	NIPPLE, RIGID	DE1592	DE1592	DE1592	1
11,12,14	NIPPLE, RIGID	DE0570	DE0570	DE0570	1
	LOCK NUT/ RIGID	P34460	P34460	P34460	12
	NIPPLE, STD	J89374	J89374	J89374	2
33	STUD VLV SEAT 5/16DIA X 1-3/16	DV0032	DV0032	DV0032	8
1	PLUG EQUALIZINGA711-8235,	DV1149	DV1149	DV1149	1
1	PLUG SQ HD 1/2NPT ,	H47900	H47900	H47900	1
1	PLUG HEX HD 1/4NPT ,	P39040	P39040	P39040	4
38,38,39,40	NUT HX STD 3/8-16UNC,	P52380	P52380	P52380	24
	ELBOW MALE COMP 3/8OD X 1/4 MPT	S41800	S41800	S41800	2
1	PLUG SQ HD 1NPT	U19200	U19200	U19200	2
Pump Mounting	NUT HEX LGT 1/2-13UNC,	F11400	F11400	F11400	16
38 & 39	CAPSCREW HEX HD5/16-18UN	DJ0034	DJ0034	DJ0034	8
38 & 39	CAPSCREW,HEX HD 3/8-16NC	H52100	H52100	H52100	4
38 & 39	NUT HX STD 3/8-16UNC	P52380	P52380	P52380	4

Complete gasket kit - part number 180019 (qty 2 required)

40 VL / 40 HV SIMPLEX STANDARD CAPACITY- 1750 RPM

Item #	Description	Part number		Qty
		20 PSI	30PSI	
1	RECEIVER ,	DR0274	DR0274	1
3	3" INLET BASKET STRAINER ASSEM.	DA0182	DA0182	1
3a	STRAINER SCREEN ONLY	DA0018	DA0018	1
3b	STRAINER COVER GASKET	DG0160	DG0160	1
3c	NIPPLE STD 3NPTX4LG	DL0153	DL0153	1
5	COMPOUND GAUGE	DA0114	DA0114	1
5a	GAGE COCK 1/4FPT	DV0325	DV0325	1
6	VACUUM BREAKER 3/4IN #26	DA0061	DA0061	1
7	ANGLE THERMOMETER	DA0104	DA0104	1
8a	VALVE SET 5/8 WATER	DV0342	DV0342	1
8b	GAUGE GLASS 5/8X9	DV0347	DV0347	1
8c	GUARD ROD 3/16DIA X 11	DV0367	DV0367	2
10	VACUUM SWITCH (SIMPLEX)	DE0988	DE0988	1
12	FLOAT SWITCH ASSEMBLY	DA0393	DA0393	1
12a	FLOAT BALL ONLY	DA0165	DA0165	1
12b	FLOAT SWITCH SEAL KIT	180095	180095	1
13	COPPER TUBING	X42104	X42104	4
17	SWING CHECK VALVE	DV1084	DV1084	1
19	LIFTING EYE	DJ0321	DJ0321	2
21	COVER PLATE DISCH MAN	DA0150	DA0150	1
21a	GASKET, DRAIN COVER FLAN	DG0127	DG0127	1
22	ELBOW 90 STREET1-1/4NPT	DF0167	DF0167	1
23	FLANGE BLIND	DF0210	DF0210	3
23a	FLANGE GASKET	DG0060	DG0060	4
24	PLATE AIR VENT	DL0600	DL0600	1
24a	GASKET, HOUSING	DG0135	DG0135	1
25	DISCHARGE MANIFOLD BODY	DL1471	DL1471	1
25a	GASKET, NOZ BODY DISCH M	DG0151	DG0151	1
26	NOZZLE BODY COVER PLATE	DL1480	DL1480	1
27	COVER PLATE MANIFOLD ,	DL1738	DL1738	2
29	BUSHING	DF0041	DF0041	1
30	NIPPLE	J89331	J89331	1
31	DIS. SOLENOID VALVE (115v)	DE1861	DE1859	1
	--OR--			
31	DIS. SOLENOID VALVE (208v / 230v)	DE1862	DE1862	1
32	DIN CONNECTOR	DE1645	DE1645	1
33	CHECK VALVE ASM3 IN	DV0083	DV0083	1
33a	CHECK VALVE FACING ONLY	DV0072	DV0072	1
34	INSERT MANIFOLD LG	DL1702	DL1702	1
	GASKET, NOZZLE BODY 30-7	DG0154	DG0154	2
35	NOZZLE BODY	DL1437	DL1437	1
36	NOZZLE	DL1337	DL1342	1
37	VENTURI	DL1192	DL1193	1
38	MANIFOLD EL 90 RED. 3X2I	not applicable	not applicable	not applicable
38a	GASKET, MANIFOLD ELBOW	not applicable	not applicable	not applicable
	CASE GASKET	DG0070	DG0070	1
39	MANIFOLD EL 90 STR 3IN	DL1708	DL1708	1
27a & 39a & b	GASKET, MANIFOLD FLANGE	DG0142	DG0142	4
40	NOZZLE RETAINING RING (or Ret. Screw)	DL1486	DL1486	1

FASTENER INFORMATION

Where used	Description	Part number	Part number	Qty / unit
	CONN MALE STR 1/4OD X 1,	DF0506	DF0506	1
	CONN MALE STR 1/4OD X 1,	DF0510	DF0510	1
	ELBOW 90 MALE 1/4OD X 1,	DF0511	DF0511	1
10	CAPSCREW HEX HD1/4-20UNC	DJ0023	DJ0023	2
37	CAPSCREW HEX HD5/16-18NC	DJ0031	DJ0031	2
26	CAPSCREW HEX HD3/8-16UNC	DJ0063	DJ0063	4
25	CAPSCREW HEX HD3/8-16UNC	DJ0066	DJ0066	12
33	NUT HEX STD 5/16-18UN	DJ0226	DJ0226	4
37	WASHER HOLDING 11/32IDX1	DJ0277	DJ0277	2
35	STUD BOLT 3/8-16UNX1-7/1	DJ0471	DJ0471	20
24	STUD BOLT 3/8-16UNX1-13/	DJ0472	DJ0472	4
Pump Mounting	STUD PUMP CASE 1/2-13NCX,	DJ0478	DJ0478	16
obs	NIPPLE STD 1/4NPTX1-,	DL0021	DL0021	1
5	NIPPLE STD 1/4NPTX1-1/2	DL0022	DL0022	1
obs	NIPPLE STD 1-1/4NPTX,	DL0097	DL0097	1
33	STUD VLV SEAT 5/16DIA X 1-3/16	DV0032	DV0032	4
1	PLUG EQUALIZINGA711-8235,	DV1149	DV1149	1
28	PLUG SQ HD 2-1/2NPT ,	F12200	F12200	1
1	PLUG SQ HD 1/2NPT ,	H47900	H47900	1
1	PLUG HEX HD 1/8NPT ,	P39020	P39020	1
1	PLUG HEX HD 1/4NPT ,	P39040	P39040	5
	CAPSCREW 3/4-10 X 1-1/2	P19810	P19810	1
24,38,38,39	NUT HX STD 3/8-16UNC,	P52380	P52380	24
	ELBOW MALE COMP 3/8OD X 1/4 MPT	S41800	S41800	1
1	PLUG SQ HD 1NPT	U19200	U19200	2
Pump Mounting	NUT HEX LGT 1/2-13UNC,	F11400	F11400	16
38 & 39	CAPSCREW HEX HD5/16-18UN	DJ0034	DJ0034	4
38 & 39	CAPSCREW,HEX HD 3/8-16NC	not applicable	not applicable	not applicable
38 & 39	NUT HX STD 3/8-16UNC	not applicable	not applicable	not applicable

Complete gasket kit - part number 180019

40 VL / 40 HV DUPLEX STANDARD CAPACITY- 1750 RPM

Item #	Description	Part number		Qty
		20 PSI	30PSI	
1	RECEIVER ,	DR0274	DR0274	1
4	3" INLET BASKET STRAINER ASSEM.	DA0182	DA0182	1
4a	STRAINER SCREEN ONLY	DA0018	DA0018	1
4b	STRAINER COVER GASKET	DG0160	DG0160	1
4c	NIPPLE STD 3NPTX4LG	DL0153	DL0153	1
6	COMPOUND GAUGE	DA0114	DA0114	1
6a	GAGE COCK 1/4FPT	DV0325	DV0325	1
7	VACUUM BREAKER 3/4IN #26	DA0061	DA0061	1
8	ANGLE THERMOMETER	DA0104	DA0104	1
9a	VALVE SET 5/8 WATER	DV0342	DV0342	1
9b	GAUGE GLASS 5/8X9	DV0347	DV0347	1
9c	GUARD ROD 3/16DIA X 11	DV0367	DV0367	2
11 & 12	VACUUM SWITCH (DUPLEX)	DE0987	DE0987	2
14	FLOAT SWITCH ASSEMBLY	DA0393	DA0393	2
14a	FLOAT BALL ONLY	DA0165	DA0165	2
14b	FLOAT SWITCH SEAL KIT	180095	180095	2
16	COPPER TUBING	X42104	X42104	8
17 & 19	DIS. SOLENOID VALVE (115v)	DE1859	DE1859	2
	--OR--			
17 & 19	DIS. SOLENOID VALVE (208v / 230v)	DE1860	DE1860	2
22	SWING CHECK VALVE	DV1084	DV1084	1
24	LIFTING EYE	DJ0321	DJ0321	2
26	COVER PLATE DISCH MAN	DA0150	DA0150	2
26a	GASKET, DRAIN COVER FLAN	DG0127	DG0127	2
27	ELBOW 90 STREET1-1/4NPT	DF0167	DF0167	1
28	FLANGE BLIND	DF0210	DF0210	2
28a	FLANGE GASKET	DG0060	DG0060	4
29	BUSHING	DF0040	DF0040	2
30	NIPPLE	DL0113	DL0113	2
32	DIN CONNECTOR	DE1645	DE1645	2
33	CHECK VALVE ASM3 IN	DV0083	DV0083	2
33a	CHECK VALVE FACING ONLY	DV0072	DV0072	2
34	INSERT MANIFOLD LG	DL1702	DL1702	2
35a	GASKET, NOZZLE BODY 30-7	DG0154	DG0154	2
35	NOZZLE BODY	DL1437	DL1437	2
36	NOZZLE	DL1337	DL1342	2
37	VENTURI	DL1192	DL1193	2
38	MANIFOLD EL 90 RED. 3X2I	not applicable	not applicable	1
38a	GASKET, MANIFOLD ELBOW	not applicable	not applicable	2
	CASE GASKET	DG0070	DG0070	2
39	MANIFOLD EL 90 STR 3IN	DL1708	DL1708	1
27,39,41	GASKET, MANIFOLD FLANGE	DG0142 (qty 6)	DG0142 (qty 6)	**
40	NOZZLE RETAINING RING (or Ret. Screw)	DL1486	DL1486	2
41	MANIFOLD ELBOW	DL1746	DL1746	1
42	MANIFOLD ELBOW	DL1744	DL1744	1
43	PLATE AIR VENT	DL0600	DL0600	1
43a	GASKET, HOUSING	DG0135	DG0135	1
44	DISCHARGE MANIFOLD BODY	DL1471	DL1471	2
44a	GASKET, NOZ BODY DISCH M	DG0151	DG0151	2

FASTENER INFORMATION

Where used	Description	Part number	Part number	Qty / unit
		20 PSI	30 PSI	
11 & 12	CONN MALE STR 1/4OD X 1,	DF0506	DF0506	2
11 & 12	TEE MALE RUN	DF0509	DF0509	1
obs	ELBOW 90 MALE 1/4OD X 1,	DF0511	DF0511	2
11 & 12	CAPSCREW HEX HD1/4-20UNC	DJ0023	DJ0023	4
37	CAPSCREW HEX HD5/16-18NC	DJ0031	DJ0031	4
35	CAPSCREW HEX HD3/8-16UNC	DJ0063	DJ0063	8
44	CAPSCREW HEX HD3/8-16UNC	DJ0066	DJ0066	24
33	NUT HEX STD 5/16-18UN	DJ0226	DJ0226	8
37	WASHER HOLDING 11/32IDX1	DJ0277	DJ0277	4
35	STUD BOLT 3/8-16UNX1-7/1	DJ0471	DJ0471	20
43	STUD BOLT 3/8-16UNX1-13/	DJ0472	DJ0472	4
Pump Mounting	STUD PUMP CASE 1/2-13NCX,	DJ0478	DJ0478	16
obs	NIPPLE STD 1/4NPTX1-,	DL0021	DL0021	2
6	NIPPLE STD 1/4NPTX1-1/2	DL0022	DL0022	1
obs	NIPPLE STD 1-1/4NPTX,	DL0097	DL0097	1
11,12,14	NIPPLE, RIGID	DE1591	DE1591	1
11,12,14	NIPPLE, RIGID	DE1592	DE1592	1
11,12,14	NIPPLE, RIGID	DE0570	DE0570	1
	LOCK NUT/ RIGID	P34460	P34460	12
	NIPPLE, STD	J89374	J89374	2
33	STUD VLV SEAT 5/16DIA X 1-3/16	DV0032	DV0032	8
1	PLUG EQUALIZINGA711-8235,	DV1149	DV1149	1
1	PLUG SQ HD 1/2NPT ,	H47900	H47900	1
1	PLUG HEX HD 1/4NPT ,	P39040	P39040	4
	CAPSCREW 3/4-10 X 1-1/2	P19810	P19810	2
38,38,39,40	NUT HX STD 3/8-16UNC,	P52380	P52380	24
	ELBOW MALE COMP 3/8OD X 1/4 MPT	S41800	S41800	2
1	PLUG SQ HD 1NPT ,	U19200	U19200	2
Pump Mounting	NUT HEX LGT 1/2-13UNC,	F11400	F11400	16
38 & 39	CAPSCREW HEX HD5/16-18UN	not applicable	not applicable	not applicable
38 & 39	CAPSCREW,HEX HD 3/8-16NC	not applicable	not applicable	not applicable
38 & 39	NUT HX STD 3/8-16UNC	not applicable	not applicable	not applicable

Complete gasket kit - part number 180019 (qty 2 required)

40 VLS / 40 HVS SIMPLEX SPECIAL CAPACITY - 1750 RPM

Item #	Description	Part number		Qty
		20 PSI	30PSI	
1	RECEIVER ,	DR0276	DR0276	1
3	3" INLET BASKET STRAINER ASSEM.	DA0183	DA0183	1
3a	STRAINER SCREEN ONLY	DA0019	DA0019	1
3b	STRAINER COVER GASKET	DG0161	DG0161	1
3c	NIPPLE STD 3NPTX4LG	DL0161	DL0161	1
5	COMPOUND GAUGE	DA0114	DA0114	1
5a	GAGE COCK 1/4FPT	DV0325	DV0325	1
6	VACUUM BREAKER 3/4IN #26	DA0061	DA0061	1
7	ANGLE THERMOMETER	DA0104	DA0104	1
8a	VALVE SET 5/8 WATER	DV0342	DV0342	1
8b	GAUGE GLASS 5/8X9	DV0349	DV0349	1
8c	GUARD ROD 3/16DIA X 11	DV0368	DV0368	2
10	VACUUM SWITCH (SIMPLEX)	DE0988	DE0988	1
12	FLOAT SWITCH ASSEMBLY	DA0393	DA0393	1
12a	FLOAT BALL ONLY	DA0165	DA0165	1
12b	FLOAT SWITCH SEAL KIT	180095	180095	1
13	COPPER TUBING	X42104	X42104	4
17	SWING CHECK VALVE	DV1084	DV1084	1
19	LIFTING EYE	DJ0321	DJ0321	2
21	COVER PLATE DISCH MAN	DA0150	DA0150	1
21a	GASKET, DRAIN COVER FLAN	DG0127	DG0127	1
22	ELBOW 90 STREET1-1/4NPT	DF0167	DF0167	1
23	FLANGE BLIND	DF0210	DF0210	3
23a	FLANGE GASKET	DG0060	DG0060	4
24	PLATE AIR VENT	DL0600	DL0600	1
24a	GASKET, HOUSING	DG0135	DG0135	1
25	DISCHARGE MANIFOLD BODY	DL1471	DL1471	1
25a	GASKET, NOZ BODY DISCH M	DG0151	DG0151	1
26	NOZZLE BODY COVER PLATE	DL1480	DL1480	1
27	COVER PLATE MANIFOLD ,	DL1738	DL1738	2
29	BUSHING	DF0041	DF0041	1
30	NIPPLE	J89331	J89331	1
31	DIS. SOLENOID VALVE (115v)	DE1861	DE1859	1
	--OR--			
31	DIS. SOLENOID VALVE (208v / 230v)	DE1862	DE1862	1
32	DIN CONNECTOR	DE1645	DE1645	1
33	CHECK VALVE ASM3 IN	DV0083	DV0083	1
33a	CHECK VALVE FACING ONLY	DV0072	DV0072	1
34	INSERT MANIFOLD LG	DL1702	DL1702	1
	GASKET, NOZZLE BODY 30-7	DG0154	DG0154	2
35	NOZZLE BODY	DL1417	DL1437	1
36	NOZZLE	DL1327	DL1318	1
37	VENTURI	DL1211	DL1174	1
38	MANIFOLD EL 90 RED. 3X2I	not applicable	not applicable	not applicable
38a	GASKET, MANIFOLD ELBOW	not applicable	not applicable	not applicable
	CASE GASKET	DG0070	DG0070	1
39	MANIFOLD EL 90 STR 3IN	DL1708	DL1708	1
27a & 39a & b	GASKET, MANIFOLD FLANGE	DG0142	DG0142	4
40	NOZZLE RETAINING RING (or Ret. Screw)	DL1486	DL1486	1

FASTENER INFORMATION

Where used	Description	Part number	Part number	Qty / unit
	CONN MALE STR 1/4OD X 1,	DF0506	DF0506	1
	CONN MALE STR 1/4OD X 1,	DF0510	DF0510	1
	ELBOW 90 MALE 1/4OD X 1,	DF0511	DF0511	1
10	CAPSCREW HEX HD1/4-20UNC	DJ0023	DJ0023	2
37	CAPSCREW HEX HD5/16-18NC	DJ0031	DJ0031	2
26	CAPSCREW HEX HD3/8-16UNC	DJ0063	DJ0063	4
25	CAPSCREW HEX HD3/8-16UNC	DJ0066	DJ0066	12
33	NUT HEX STD 5/16-18UN	DJ0226	DJ0226	4
37	WASHER HOLDING 11/32IDX1	DJ0277	DJ0277	2
35	STUD BOLT 3/8-16UNX1-7/1	DJ0471	DJ0471	20
24	STUD BOLT 3/8-16UNX1-13/	DJ0472	DJ0472	4
Pump Mounting	STUD PUMP CASE 1/2-13NCX,	DJ0478	DJ0478	16
obs	NIPPLE STD 1/4NPTX1-	DL0021	DL0021	1
5	NIPPLE STD 1/4NPTX1-1/2	DL0022	DL0022	1
obs	NIPPLE STD 1-1/4NPTX,	DL0097	DL0097	1
33	STUD VLV SEAT 5/16DIA X 1-3/16	DV0032	DV0032	4
1	PLUG EQUALIZINGA711-8235,	DV1149	DV1149	1
28	PLUG SQ HD 2-1/2NPT ,	F12200	F12200	1
1	PLUG SQ HD 1/2NPT ,	H47900	H47900	1
1	PLUG HEX HD 1/8NPT ,	P39020	P39020	1
1	PLUG HEX HD 1/4NPT ,	P39040	P39040	5
	CAPSCREW 3/4-10 X 1-1/2	P19810	P19810	1
24,38,38,39	NUT HX STD 3/8-16UNC,	P52380	P52380	24
	ELBOW MALE COMP 3/8OD X 1/4 MPT	S41800	S41800	1
1	PLUG SQ HD 1NPT	U19200	U19200	2
Pump Mounting	NUT HEX LGT 1/2-13UNC,	F11400	F11400	16
38 & 39	CAPSCREW HEX HD5/16-18UN	DJ0034	DJ0034	4
	STUD 3/4-10	DJ0493	DJ0493	1
	NUT HX HVY 3/4-10	DJ0250	DJ0250	1

Complete gasket kit - part number 180019

40 VLS / 40 HVS DUPLEX SPECIAL CAPACITY- 1750 RPM

Item #	Description	Part number		Qty
		20 PSI	30PSI	
1	RECEIVER ,	DR0276	DR0276	1
4	3" INLET BASKET STRAINER ASSEM.	DA0183	DA0183	1
4a	STRAINER SCREEN ONLY	DA0019	DA0019	1
4b	STRAINER COVER GASKET	DG0161	DG0161	1
4c	NIPPLE STD 3NPTX4LG	DL0161	DL0161	1
6	COMPOUND GAUGE	DA0114	DA0114	1
6a	GAGE COCK 1/4FPT	DV0325	DV0325	1
7	VACUUM BREAKER 3/4IN #26	DA0061	DA0061	1
8	ANGLE THERMOMETER	DA0104	DA0104	1
9a	VALVE SET 5/8 WATER	DV0342	DV0342	1
9b	GAUGE GLASS 5/8X9	DV0349	DV0349	1
9c	GUARD ROD 3/16DIA X 11	DV0368	DV0368	2
11 & 12	VACUUM SWITCH (SIMPLEX)	DE0987	DE0987	2
14	FLOAT SWITCH ASSEMBLY	DA0393	DA0393	2
14a	FLOAT BALL ONLY	DA0165	DA0165	2
14b	FLOAT SWITCH SEAL KIT	180095	180095	2
16	COPPER TUBING	X42104	X42104	8
17 & 19	DIS. SOLENOID VALVE (115v)	DE1861	DE1859	2
	--OR--			
17 & 19	DIS. SOLENOID VALVE (208v / 230v)	DE1862	DE1862	2
22	SWING CHECK VALVE	DV1084	DV1084	1
24	LIFTING EYE	DJ0321	DJ0321	2
26	COVER PLATE DISCH MAN	DA0150	DA0150	2
26a	GASKET, DRAIN COVER FLAN	DG0127	DG0127	2
27	ELBOW 90 STREET1-1/4NPT	DF0167	DF0167	1
28	FLANGE BLIND	DF0210	DF0210	2
28a	FLANGE GASKET	DG0060	DG0060	4
29	BUSHING	DF0041	DF0041	2
30	NIPPLE	J89331	J89331	2
32	DIN CONNECTOR	DE1645	DE1645	2
33	CHECK VALVE ASM3 IN	DV0083	DV0083	2
33a	CHECK VALVE FACING ONLY	DV0072	DV0072	2
34	INSERT MANIFOLD LG	DL1702	DL1702	2
	GASKET, NOZZLE BODY 30-7	DG0154	DG0154	2
35	NOZZLE BODY	DL1417	DL1437	2
36	NOZZLE	DL1327	DL1318	2
37	VENTURI	DL1211	DL1174	2
38	MANIFOLD EL 90 RED. 3X2I	not applicable	not applicable	not applicable
38a	GASKET, MANIFOLD ELBOW	not applicable	not applicable	not applicable
	CASE GASKET	DG0070	DG0070	2
39	MANIFOLD EL 90 STR 3IN	DL1708	DL1708	1
39a & b,41,42	GASKET, MANIFOLD FLANGE	DG0142	DG0142	6
40	NOZZLE RETAINING RING (or Ret. Screw)	DL1486	DL1486	2
41	MANIFOLD ELBOW	DL1746	DL1746	1
42	MANIFOLD ELBOW	DL1744	DL1744	1
43	PLATE AIR VENT	DL0600	DL0600	1
43a	GASKET, HOUSING	DG0135	DG0135	1
44	DISCHARGE MANIFOLD BODY	DL1471	DL1471	2
44a	GASKET, NOZ BODY DISCH M	DG0151	DG0151	2

FASTENER INFORMATION

Where used	Description	Part number	Part number	Qty / unit
	CONN MALE STR 1/4OD X 1,	DF0506	DF0506	2
	CONN MALE STR 1/4OD X 1,	DF0509	DF0509	1
	ELBOW 90 MALE 1/4OD X 1,	DF0511	DF0511	2
11 & 12	CAPSCREW HEX HD1/4-20UNC	DJ0023	DJ0023	4
37	CAPSCREW HEX HD5/16-18NC	DJ0031	DJ0031	4
35	CAPSCREW HEX HD3/8-16UNC	DJ0063	DJ0063	8
44	CAPSCREW HEX HD3/8-16UNC	DJ0066	DJ0066	24
33	NUT HEX STD 5/16-18UN	DJ0226	DJ0226	8
37	WASHER HOLDING 11/32IDX1	DJ0277	DJ0277	4
35	STUD BOLT 3/8-16UNX1-7/1	DJ0471	DJ0471	20
43	STUD BOLT 3/8-16UNX1-13/	DJ0472	DJ0472	4
Pump Mounting	STUD PUMP CASE 1/2-13NCX,	DJ0478	DJ0478	16
obs	NIPPLE STD 1/4NPTX1-	DL0021	DL0021	2
6	NIPPLE STD 1/4NPTX1-1/2	DL0022	DL0022	1
obs	NIPPLE STD 1-1/4NPTX,	DL0097	DL0097	1
	NIPPLE, RIGID	DE1591	DE1591	1
	NIPPLE, RIGID	DE1592	DE1592	1
	NIPPLE, RIGID	DE0570	DE0570	1
	NIPPLE	J89374	J89374	2
33	STUD VLV SEAT 5/16DIA X 1-3/16	DV0032	DV0032	8
1	PLUG EQUALIZINGA711-8235,	DV1149	DV1149	1
1	PLUG SQ HD 1/2NPT	H47900	H47900	1
1	PLUG HEX HD 1/4NPT	P39040	P39040	4
	CAPSCREW 3/4-10 X 1-1/2	P19810	P19810	2
38,38,39,43	NUT HX STD 3/8-16UNC,	P52380	P52380	24
	ELBOW MALE COMP 3/8OD X 1/4 MPT	S41800	S41800	2
1	PLUG SQ HD 1NPT	U19200	U19200	2
Pump Mounting	NUT HEX LGT 1/2-13UNC,	F11400	F11400	16
	LOCKNUT	P34460	P34460	12
38 & 39	CAPSCREW HEX HD5/16-18UN	DJ0034	DJ0034	4
	STUD 3/4-10	DJ0493	DJ0493	2
	NUT HX HVY 3/4-10	DJ0250	DJ0250	2

Complete gasket kit - part number 180019 (qty 2 required)

65 VL / 65 HV SIMPLEX STANDARD CAPACITY- 1750 RPM

Item #	Description	Part number		Qty
		20 PSI	30PSI	
1	RECEIVER ,	DR0276	DR0276	1
3	3" INLET BASKET STRAINER ASSEM.	DA0183	DA0183	1
3a	STRAINER SCREEN ONLY	DA0019	DA0019	1
3b	STRAINER COVER GASKET	DG0161	DG0161	1
3c	NIPPLE STD 3NPTX4LG	DL0161	DL0161	1
5	COMPOUND GAUGE	DA0114	DA0114	1
5a	GAGE COCK 1/4FPT	DV0325	DV0325	1
6	VACUUM BREAKER 3/4IN #26	DA0061	DA0061	1
7	ANGLE THERMOMETER	DA0104	DA0104	1
8a	VALVE SET 5/8 WATER	DV0342	DV0342	1
8b	GAUGE GLASS 5/8X9	DV0349	DV0349	1
8c	GUARD ROD 3/16DIA X 11	DV0368	DV0368	2
10	VACUUM SWITCH (SIMPLEX)	DE0988	DE0988	1
12	FLOAT SWITCH ASSEMBLY	DA0393	DA0393	1
12a	FLOAT BALL ONLY	DA0165	DA0165	1
12b	FLOAT SWITCH SEAL KIT	180095	180095	1
13	COPPER TUBING	X42104	X42104	4
17	SWING CHECK VALVE	DV1084	DV1084	1
19	LIFTING EYE	DJ0321	DJ0321	2
21	COVER PLATE DISCH MAN	DA0150	DA0150	1
21a	GASKET, DRAIN COVER FLAN	DG0127	DG0127	1
22	ELBOW 90 STREET1-1/4NPT	DF0167	DF0167	1
23	FLANGE BLIND	DF0210	DF0210	3
23a	FLANGE GASKET	DG0060	DG0060	4
24	PLATE AIR VENT	DL0600	DL0600	1
24a	GASKET, HOUSING	DG0135	DG0135	1
25	DISCHARGE MANIFOLD BODY	DL1471	DL1471	1
25a	GASKET, NOZ BODY DISCH M	DG0151	DG0151	1
26	NOZZLE BODY COVER PLATE	DL1480	DL1480	1
27	COVER PLATE MANIFOLD ,	DL1738	DL1738	2
29	BUSHING	DF0041	DF0041	1
30	NIPPLE	J89331	J89331	1
31	DIS. SOLENOID VALVE (115v)	DE1861	DE1859	1
	--OR--			
31	DIS. SOLENOID VALVE (208v / 230v)	DE1862	DE1862	1
32	DIN CONNECTOR	DE1645	DE1645	1
33	CHECK VALVE ASM3 IN	DV0083	DV0083	1
33a	CHECK VALVE FACING ONLY	DV0072	DV0072	1
34	INSERT MANIFOLD LG	DL1702	DL1702	1
	GASKET, NOZZLE BODY 30-7	DG0154	DG0154	2
35	NOZZLE BODY	DL1437	DL1437	1
36	NOZZLE	DL1337	DL1334	1
37	VENTURI	DL1173	DL1171	1
38	MANIFOLD EL 90 RED. 3X2I	not applicable	not applicable	not applicable
38a	GASKET, MANIFOLD ELBOW	not applicable	not applicable	not applicable
	CASE GASKET	DG0070	DG0070	1
39	MANIFOLD EL 90 STR 3IN	DL1708	DL1708	1
27a & 39a & b	GASKET, MANIFOLD FLANGE	DG0142	DG0142	4
40	NOZZLE RETAINING RING (or Ret. Screw)	DL1486	DL1486	1

FASTENER INFORMATION

Where used	Description	Part number	Part number	Qty / unit
	CONN MALE STR 1/4OD X 1,	DF0506	DF0506	1
	CONN MALE STR 1/4OD X 1,	DF0510	DF0510	1
	ELBOW 90 MALE 1/4OD X 1,	DF0511	DF0511	1
10	CAPSCREW HEX HD1/4-20UNC	DJ0023	DJ0023	2
37	CAPSCREW HEX HD5/16-18NC	DJ0031	DJ0031	2
26	CAPSCREW HEX HD3/8-16UNC	DJ0063	DJ0063	4
25	CAPSCREW HEX HD3/8-16UNC	DJ0066	DJ0066	12
33	NUT HEX STD 5/16-18UN	DJ0226	DJ0226	4
37	WASHER HOLDING 11/32IDX1	DJ0277	DJ0277	2
35	STUD BOLT 3/8-16UNX1-7/1	DJ0471	DJ0471	20
24	STUD BOLT 3/8-16UNX1-13/	DJ0472	DJ0472	4
Pump Mounting	STUD PUMP CASE 1/2-13NCX,	DJ0478	DJ0478	16
obs	NIPPLE STD 1/4NPTX1-,	DL0021	DL0021	1
5	NIPPLE STD 1/4NPTX1-1/2	DL0022	DL0022	1
obs	NIPPLE STD 1-1/4NPTX,	DL0097	DL0097	1
33	STUD VLV SEAT 5/16DIA X 1-3/16	DV0032	DV0032	4
1	PLUG EQUALIZINGA711-8235,	DV1149	DV1149	1
28	PLUG SQ HD 2-1/2NPT ,	F12200	F12200	1
1	PLUG SQ HD 1/2NPT ,	H47900	H47900	1
1	PLUG HEX HD 1/8NPT ,	P39020	P39020	1
1	PLUG HEX HD 1/4NPT ,	P39040	P39040	5
	CAPSCREW 3/4-10 X 1-1/2	P19810	P19810	1
24,38,38,39	NUT HX STD 3/8-16UNC,	P52380	P52380	24
	ELBOW MALE COMP 3/8OD X 1/4 MPT	S41800	S41800	1
1	PLUG SQ HD 1NPT	U19200	U19200	2
Pump Mounting	NUT HEX LGT 1/2-13UNC,	F11400	F11400	16
38 & 39	CAPSCREW HEX HD5/16-18UN	DJ0034	DJ0034	4
	STUD 3/4-10	DJ0493	DJ0493	1
	NUT HX HVY 3/4-10	DJ0250	DJ0250	1

Complete gasket kit - part number 180019

65 VL / 65 HV DUPLEX STANDARD CAPACITY- 1750 RPM

Item #	Description	Part number		Qty
		20 PSI	30PSI	
1	RECEIVER ,	DR0276	DR0276	1
4	3" INLET BASKET STRAINER ASSEM.	DA0183	DA0183	1
4a	STRAINER SCREEN ONLY	DA0019	DA0019	1
4b	STRAINER COVER GASKET	DG0161	DG0161	1
4c	NIPPLE STD 3NPTX4LG	DL0161	DL0161	1
6	COMPOUND GAUGE	DA0114	DA0114	1
6a	GAGE COCK 1/4FPT	DV0325	DV0325	1
7	VACUUM BREAKER 3/4IN #26	DA0061	DA0061	1
8	ANGLE THERMOMETER	DA0104	DA0104	1
9a	VALVE SET 5/8 WATER	DV0342	DV0342	1
9b	GAUGE GLASS 5/8X9	DV0349	DV0349	1
9c	GUARD ROD 3/16DIA X 11	DV0368	DV0368	2
11 & 12	VACUUM SWITCH (SIMPLEX)	DE0987	DE0987	2
14	FLOAT SWITCH ASSEMBLY	DA0393	DA0393	2
14a	FLOAT BALL ONLY	DA0165	DA0165	2
14b	FLOAT SWITCH SEAL KIT	180095	180095	2
16	COPPER TUBING	X42104	X42104	8
17 & 19	DIS. SOLENOID VALVE (115v)	DE1861	DE1859	2
	--OR--			
17 & 19	DIS. SOLENOID VALVE (208v / 230v)	DE1862	DE1862	2
22	SWING CHECK VALVE	DV1084	DV1084	1
24	LIFTING EYE	DJ0321	DJ0321	2
26	COVER PLATE DISCH MAN	DA0150	DA0150	2
26a	GASKET, DRAIN COVER FLAN	DG0127	DG0127	2
27	ELBOW 90 STREET1-1/4NPT	DF0167	DF0167	1
28	FLANGE BLIND	DF0210	DF0210	2
28a	FLANGE GASKET	DG0060	DG0060	4
29	BUSHING	DF0041	DF0041	2
30	NIPPLE	J89331	J89331	2
32	DIN CONNECTOR	DE1645	DE1645	2
33	CHECK VALVE ASM3 IN	DV0083	DV0083	2
33a	CHECK VALVE FACING ONLY	DV0072	DV0072	2
34	INSERT MANIFOLD LG	DL1702	DL1702	2
	GASKET, NOZZLE BODY 30-7	DG0154	DG0154	2
35	NOZZLE BODY	DL1437	DL1437	2
36	NOZZLE	DL1337	DL1334	2
37	VENTURI	DL1173	DL1171	2
38	MANIFOLD EL 90 RED. 3X2I	not applicable	not applicable	not applicable
38a	GASKET, MANIFOLD ELBOW	not applicable	not applicable	not applicable
	CASE GASKET	DG0070	DG0070	2
39	MANIFOLD EL 90 STR 3IN	DL1708	DL1708	1
39a & b,41,42	GASKET, MANIFOLD FLANGE	DG0142	DG0142	6
40	NOZZLE RETAINING RING (or Ret. Screw)	DL1486	DL1486	2
41	MANIFOLD ELBOW	DL1746	DL1746	1
42	MANIFOLD ELBOW	DL1744	DL1744	1
43	PLATE AIR VENT	DL0600	DL0600	1
43a	GASKET, HOUSING	DG0135	DG0135	1
44	DISCHARGE MANIFOLD BODY	DL1471	DL1471	2
44a	GASKET, NOZ BODY DISCH M	DG0151	DG0151	2

FASTENER INFORMATION

Where used	Description	Part number	Part number	Qty / unit
	CONN MALE STR 1/4OD X 1,	DF0506	DF0506	2
	CONN MALE STR 1/4OD X 1,	DF0509	DF0509	1
	ELBOW 90 MALE 1/4OD X 1,	DF0511	DF0511	2
11 & 12	CAPSCREW HEX HD1/4-20UNC	DJ0023	DJ0023	4
37	CAPSCREW HEX HD5/16-18NC	DJ0031	DJ0031	4
35	CAPSCREW HEX HD3/8-16UNC	DJ0063	DJ0063	8
44	CAPSCREW HEX HD3/8-16UNC	DJ0066	DJ0066	24
33	NUT HEX STD 5/16-18UN	DJ0226	DJ0226	8
37	WASHER HOLDING 11/32IDX1	DJ0277	DJ0277	4
35	STUD BOLT 3/8-16UNX1-7/1	DJ0471	DJ0471	20
43	STUD BOLT 3/8-16UNX1-13/	DJ0472	DJ0472	4
Pump Mounting	STUD PUMP CASE 1/2-13NCX,	DJ0478	DJ0478	16
obs	NIPPLE STD 1/4NPTX1-	DL0021	DL0021	2
6	NIPPLE STD 1/4NPTX1-1/2	DL0022	DL0022	1
obs	NIPPLE STD 1-1/4NPTX,	DL0097	DL0097	1
	NIPPLE, RIGID	DE1591	DE1591	1
	NIPPLE, RIGID	DE1592	DE1592	1
	NIPPLE, RIGID	DE0570	DE0570	1
	NIPPLE	J89374	J89374	2
33	STUD VLV SEAT 5/16DIA X 1-3/16	DV0032	DV0032	8
1	PLUG EQUALIZINGA711-8235,	DV1149	DV1149	1
1	PLUG SQ HD 1/2NPT	H47900	H47900	1
1	PLUG HEX HD 1/4NPT	P39040	P39040	4
	CAPSCREW 3/4-10 X 1-1/2	P19810	P19810	2
38,38,39,43	NUT HX STD 3/8-16UNC,	P52380	P52380	24
	ELBOW MALE COMP 3/8OD X 1/4 MPT	S41800	S41800	2
1	PLUG SQ HD 1NPT	U19200	U19200	2
Pump Mounting	NUT HEX LGT 1/2-13UNC,	F11400	F11400	16
	LOCKNUT	P34460	P34460	12
38 & 39	CAPSCREW HEX HD5/16-18UN	DJ0034	DJ0034	4
	STUD 3/4-10	DJ0493	DJ0493	2
	NUT HX HVY 3/4-10	DJ0250	DJ0250	2

Complete gasket kit - part number 180019 (qty 2 required)

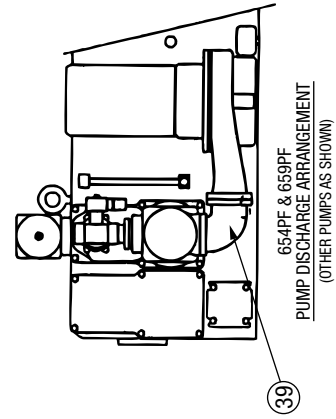
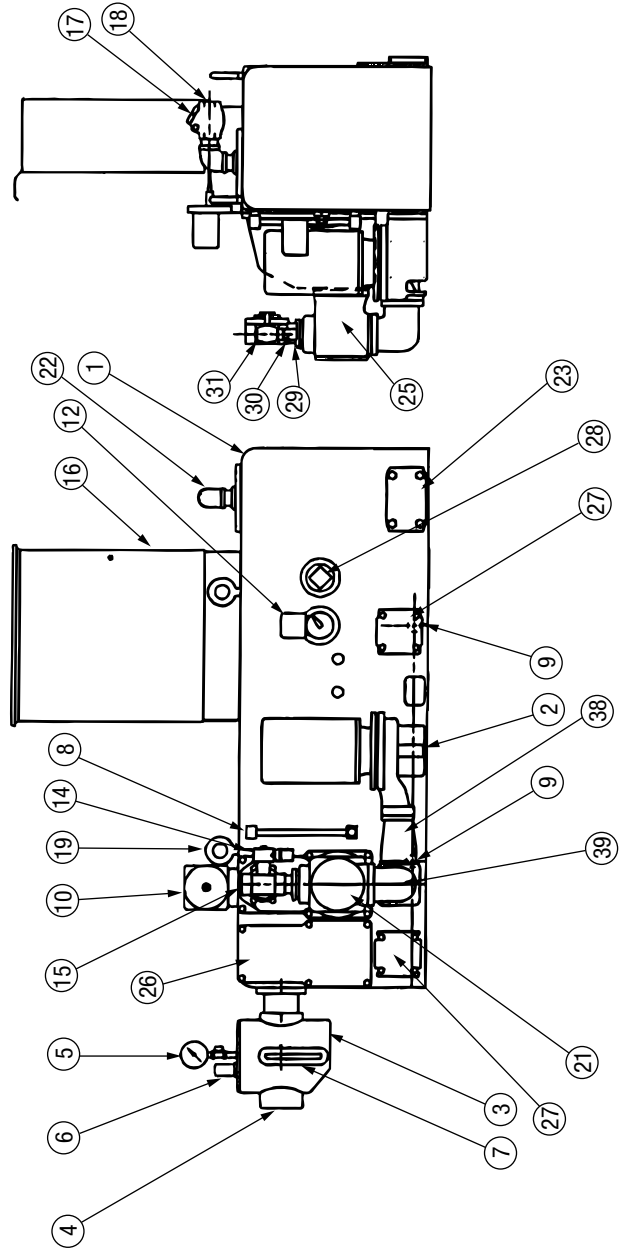
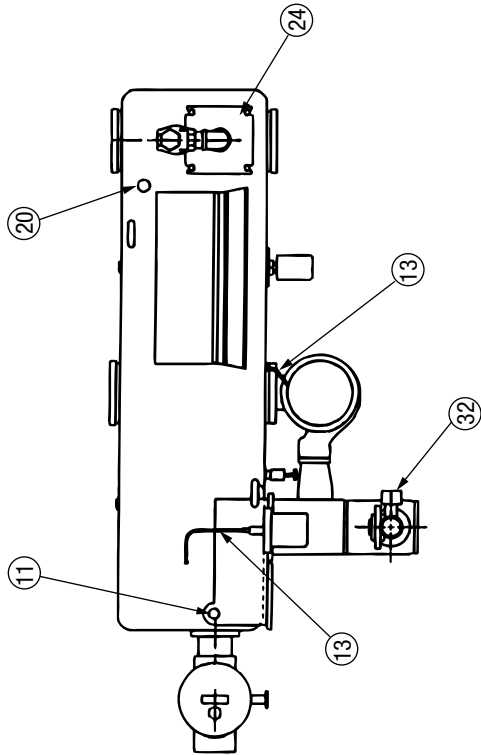
REPLACEMENT VACUUM HEATING PUMPS

Unit	Water Only GPM	Simultaneous		PSI	Pump	Mtr HP	Imp Trim
		Water	Air				
25 VL 1-20-35	37.5	12.5	8.3	20	626 PF	2	4-1/8
25 VL 2-20-35	37.5	12.5	8.3	20	626 PF	2	4-1/8
25 VL 1-30-35	37.5	12.5	8.3	30	625 PF	3	4-3/8
25 VL 2-30-35	37.5	12.5	8.3	30	625 PF	3	4-3/8
25 VL 1-40-35	37.5	12.5	8.3	40	613 PF	5	5-9/16
25 VL 2-40-35	37.5	12.5	8.3	40	613 PF	5	5-9/16
25 VL 1-20-17	37.5	12.5	8.3	20	654 PF	2	6-3/4
25 VL 2-20-17	37.5	12.5	8.3	20	654 PF	2	6-3/4
25 VL 1-30-17	37.5	12.5	8.3	30	673 PF	3	9-1/16
25 VL 2-30-17	37.5	12.5	8.3	30	673 PF	3	9-1/16
30 VL 1-20-35	45	15	9.7	20	626 PF	3	4-1/8
30 VL 2-20-35	45	15	9.7	20	626 PF	3	4-1/8
30 VL 1-30-35	45	15	9.7	30	625 PF	5	4-9/16
30 VL 2-30-35	45	15	9.7	30	625 PF	5	4-9/16
30 VL 1-40-35	45	15	9.7	40	613 PF	5	5-9/16
30 VL 2-40-35	45	15	9.7	40	613 PF	5	5-9/16
30 VL 1-20-17	45	15	9.7	20	673 PF	3	8-7/16
30 VL 2-20-17	45	15	9.7	20	673 PF	3	8-7/16
30 VL 1-30-17	45	15	9.7	30	673 PF	3	9-1/16
30 VL 2-30-17	45	15	9.7	30	673 PF	3	9-1/16
40 VL 1-20-35	60	20	12.6	20	625 PF	3	4-3/16
40 VL 2-20-35	60	20	12.6	20	625 PF	3	4-3/16
40 VL 1-30-35	60	20	12.6	30	625 PF	5	4-9/16
40 VL 2-30-35	60	20	12.6	30	625 PF	5	4-9/16
40 VL 1-40-35	60	20	12.6	40	613 PF	5	5-9/16
40 VL 2-40-35	60	20	12.6	40	613 PF	5	5-9/16
40 VL 1-20-17	60	20	12.6	20	654 PF	3	7-1/8
40 VL 2-20-17	60	20	12.6	20	654 PF	3	7-1/8
40 VL 1-30-17	60	20	12.6	30	659 PF	5	8-9/16
40 VL 2-30-17	60	20	12.6	30	659 PF	5	8-9/16
65 VL 1-20-17	70	32.5	22	20	654 PF	5	7-15/16
65 VL 2-20-17	70	32.5	22	20	654 PF	5	7-15/16
65 VL 1-30-17	70	32.5	22	30	659 PF	7-1/2	9-1/4
65 VL 2-30-17	70	32.5	22	30	659 PF	7-1/2	9-1/4

REPLACEMENT VACUUM HEATING PUMPS

Unit	Water Only GPM	Simultaneous		PSI	Pump	Mtr HP	Imp Trim
		Water	Air				
25 VLS 1-20-35	37.5	12.5	14	20	625 PF	3	4-3/16
25 VLS 2-20-35	37.5	12.5	14	20	625 PF	3	4-3/16
25 VLS 1-30-35	37.5	12.5	14	30	625 PF	5	4-9/16
25 VLS 2-30-35	37.5	12.5	14	30	625 PF	5	4-9/16
25 VLS 1-40-35	37.5	12.5	14	40	613 PF	5	5-9/16
25 VLS 2-40-35	37.5	12.5	14	40	613 PF	5	5-9/16
25 VLS 1-20-17	37.5	12.5	14	20	654 PF	3	7-1/16
25 VLS 2-20-17	37.5	12.5	14	20	654 PF	3	7-1/16
25 VLS 1-30-17	37.5	12.5	14	30	659 PF	5	8-5/16
25 VLS 2-30-17	37.5	12.5	14	30	659 PF	5	8-5/16
30 VLS 1-20-35	45	15	17	20	625 PF	3	4-3/16
30 VLS 2-20-35	45	15	17	20	625 PF	3	4-3/16
30 VLS 1-30-35	45	15	17	30	625 PF	5	4-9/16
30 VLS 2-30-35	45	15	17	30	625 PF	5	4-9/16
30 VLS 1-40-35	45	15	17	40	613 PF	5	5-9/16
30 VLS 2-40-35	45	15	17	40	613 PF	5	5-9/16
30 VLS 1-20-17	45	15	17	20	654 PF	3	7-1/8
30 VLS 2-20-17	45	15	17	20	654 PF	3	7-1/8
30 VLS 1-30-17	45	15	17	30	659 PF	5	8-3/4
30 VLS 2-30-17	45	15	17	30	659 PF	5	8-3/4
40 VLS 1-20-17	60	20	21	20	654 PF	5	7-1/2
40 VLS 2-20-17	60	20	21	20	654 PF	5	7-1/2
40 VLS 1-30-17	60	20	21	30	659 PF	5	8-3/4
40 VLS 2-30-17	60	20	21	30	659 PF	5	8-3/4

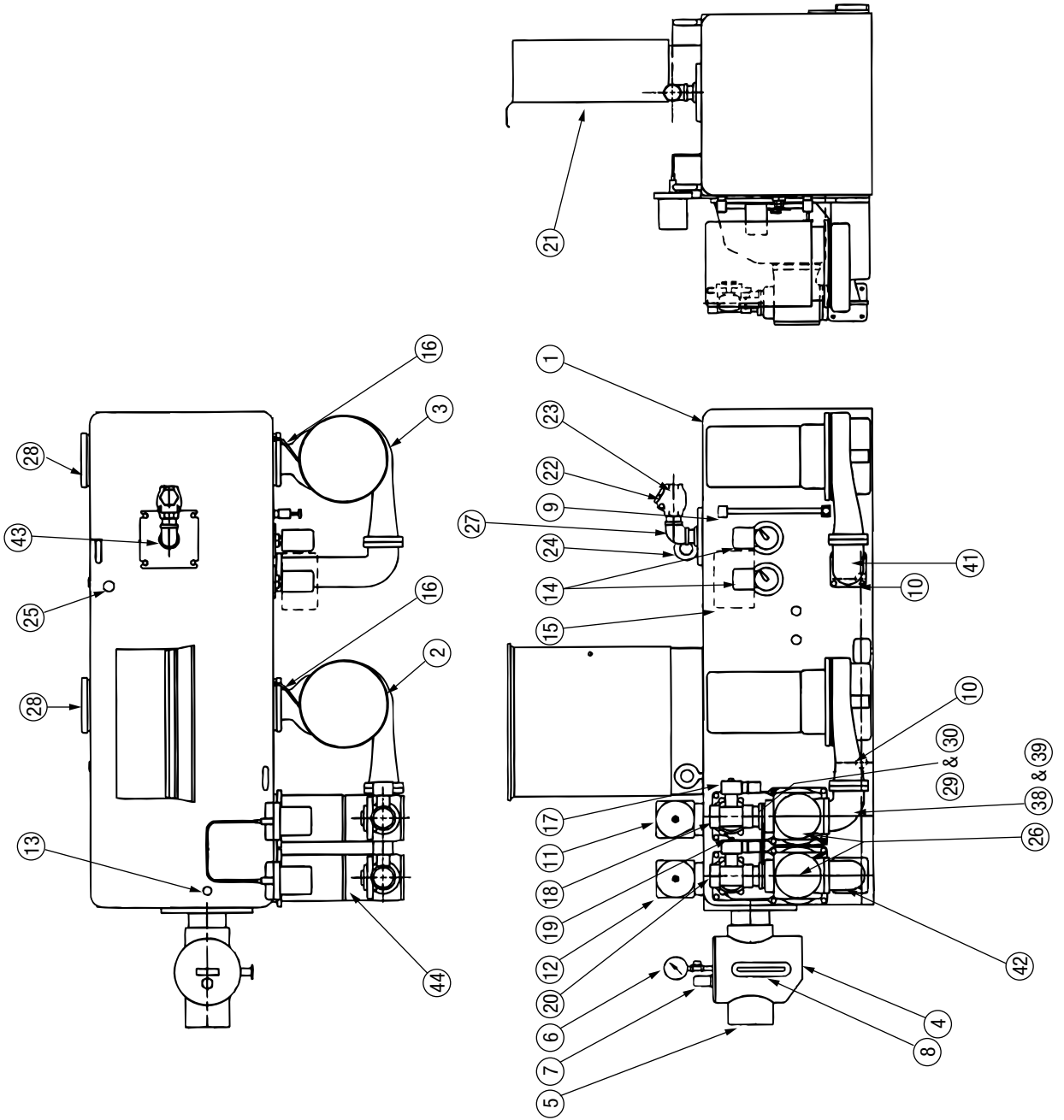
TYPICAL VL/HV SIMPLEX UNIT



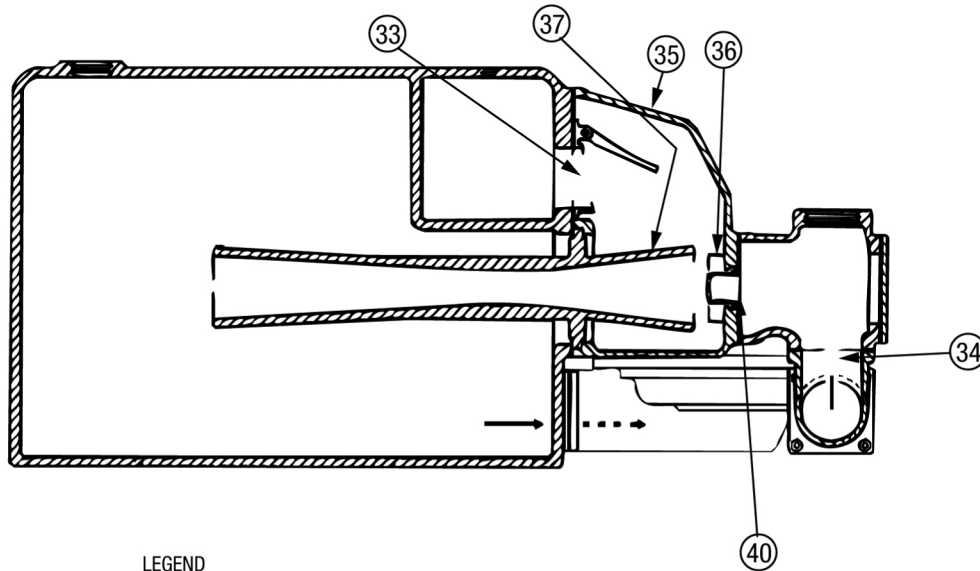
- LEGEND
1. RECEIVER CAST IRON
 2. PUMP No. 1
 3. INLET CONNECTION 3 NPT
 4. INLET CONNECTION 3 NPT
 5. COMPOUND GAUGE
 6. VACUUM BREAKER
 7. THERMOMETER
 8. GAUGE GLASS
 9. DRAIN CONNECTION 1 NPT
 10. VACUUM SWITCH
 11. EQUALIZING LINE CONNECTION 3/4 NPT
 12. FLOAT SWITCH
 13. AIR RELIEF TUBING
 14. SOLENOID DISCHARGE VALVE 1-1/2 NPT
 15. DISCHARGE LINE CONNECTION 1-1/2 NPT
 16. CONTROL PANEL
 17. CHECK VALVE 1-1/4 NPT
 18. AIR VENT 1-1/4 NPT
 19. LIFTING EYES - OPTIONAL
 20. PRIMING OPENING 1 NPT
 21. DISCHARGE MANIFOLD COVER
 22. ELBOW
 23. BLIND FLANGE
 24. AIR VENT PLATE
 25. DISCHARGE MANIFOLD BODY
 26. NOZZLE BODY COVERPLATE
 27. MANIFOLD COVERPLATE
 28. 2-1/2 NPT PLUG
 29. BUSHING
 30. NIPPLE
 31. DISCHARGE SOLENOID VALVE
 32. DIN CONNECTOR
 38. ELBOW
 39. ELBOW

TYPICAL VL/HV DUPLEX UNIT

- LEGEND**
1. RECEIVER CAST IRON
 2. PUMP No. 1
 3. PUMP No. 2
 4. INLET BASKET STRAINER 4 NPT
 5. INLET CONNECTION 4 NPT
 6. COMPOUND GAUGE
 7. VACUUM BREAKER
 8. THERMOMETER
 9. GAUGE GLASS
 10. DRAIN CONNECTION 1 NPT
 11. VACUUM SWITCH No. 1
 12. VACUUM SWITCH No. 2
 13. EQUALIZING LINE CONNECTION 3/4 NPT
 14. FLOAT SWITCHES (NOT FURNISHED WHEN MECHANICAL ALTERNATOR IS SPECIFIED)
 15. MECHANICAL ALTERNATOR (NOT FURNISHED WHEN FLOAT SWITCHES ARE SPECIFIED)
 16. AIR RELIEF TUBING
 17. SOLENOID DISCHARGE VALVE 2 NPT PUMP No. 1
 18. DISCHARGE LINE CONNECTION 2 NPT No. 1
 19. SOLENOID DISCHARGE VALVE 2 NPT PUMP No. 2
 20. DISCHARGE LINE CONNECTION 2 NPT No. 2
 21. CONTROL PANEL
 22. CHECK VALVE 1-1/4 NPT
 23. AIR VENT 1-1/4 NPT
 24. LIFTING EYES - OPTIONAL
 25. PRIMING OPENING 1 NPT
 26. DISCHARGE MANIFOLD COVER
 27. ELBOW
 28. BLIND FLANGE
 29. BUSHING
 30. NIPPLE
 32. DIN CONNECTOR
 38. MANIFOLD ELBOW
 39. MANIFOLD ELBOW
 41. MANIFOLD ELBOW
 42. AIR VENT PLATE
 43. AIR VENT PLATE
 44. DISCHARGE MANIFOLD



TYPICAL VL/HV CUT-AWAY Side View of Vacuum Producing Area



- LEGEND
33. CHECK VALVE
34. INSERT MANIFOLD
35. NOZZLE BODY
36. NOZZLE
37. VENTURI
40. NOZZLE RETAINING RING

Xylem |'zīləm|

- 1) The tissue in plants that brings water upward from the roots;
- 2) a leading global water technology company.

We're 12,700 people unified in a common purpose: creating innovative solutions to meet our world's water needs. Developing new technologies that will improve the way water is used, conserved, and re-used in the future is central to our work. We move, treat, analyze, and return water to the environment, and we help people use water efficiently, in their homes, buildings, factories and farms. In more than 150 countries, we have strong, long-standing relationships with customers who know us for our powerful combination of leading product brands and applications expertise, backed by a legacy of innovation.

For more information on how Xylem can help you, go to www.xylem.com

xylem
Let's Solve Water

Xylem Inc.
8200 N. Austin Avenue
Morton Grove, Illinois 60053
Phone: (847) 966-3700
Fax: (847) 965-8379
www.bellgossett.com

Bell & Gossett is a trademark of Xylem Inc. or one of its subsidiaries.
© 2013 Xylem Inc. DHP-310-PL-R3 November 2000