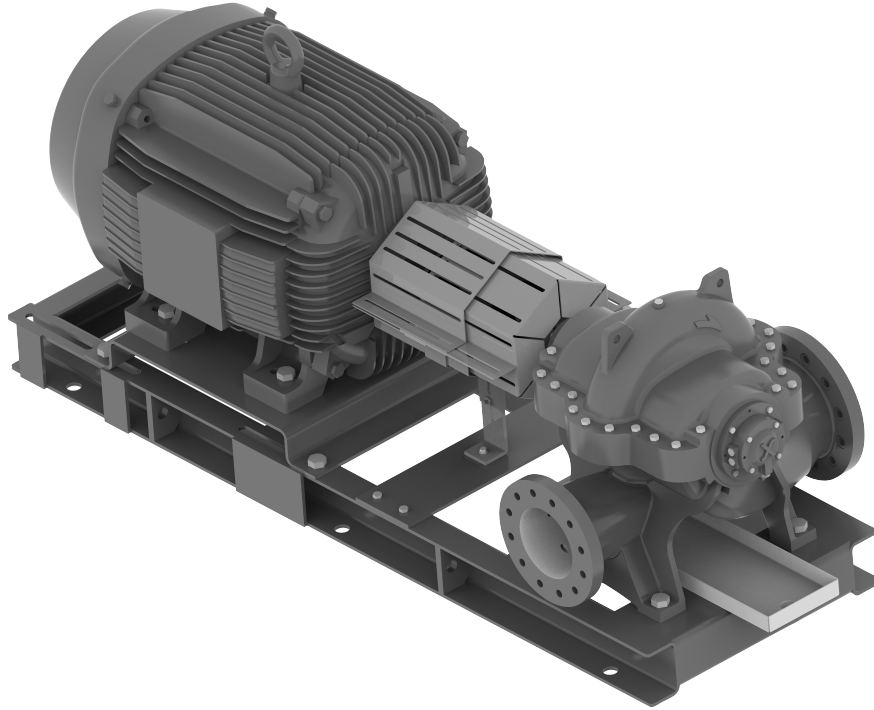




Bell & Gossett
xylem

Parts list
CP-516A-PL R2



Series e-HSC Double Suction Centrifugal Pumps

Replacement parts

xylem
Let's Solve Water

Table of contents

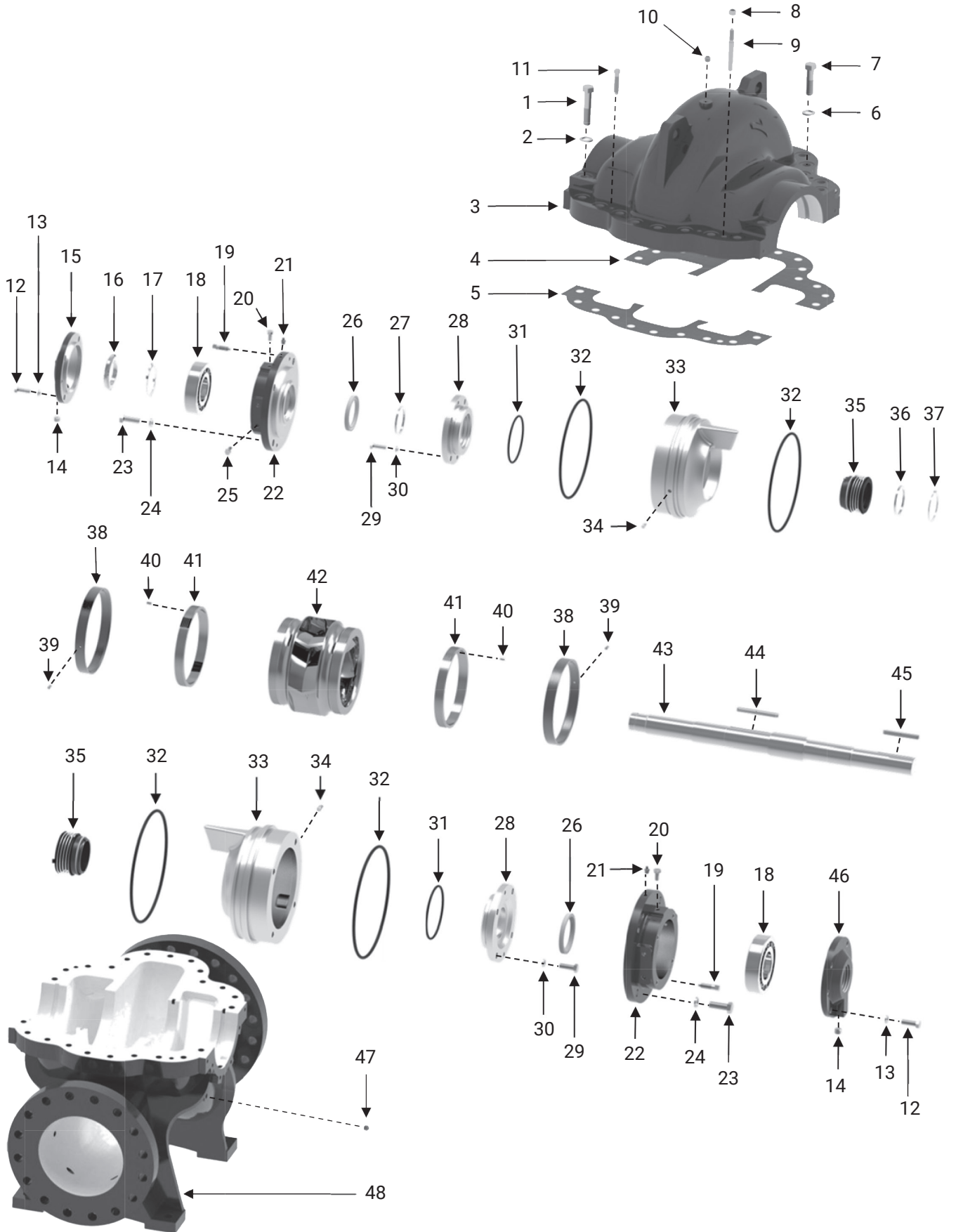
E-HSC pump model list	1
E-HSC pump general exploded view	2
General parts	4
Casings	49
Shafts	50
Impellers, impeller and wear ring kits	51
Impellers	51
Impeller, impeller wear ring and casing wear ring kits	52
Impeller and casing wear ring kits	53
Mechanical seals	54
Type RS-25	54
Type MR2	55
Seal replacement kit	57

e-HSC model list

e-HSC double suction centrifugal pump model list

No.	Model	Model
1	2.5X4X10.5	2.5X4X10
2	3X4X12.5	3X4X12
3	3X5X8.5	3X5X8
4	3X5X11	3X5X10.5
5	3X5X13.5	3X5X13
6	4X6X10	4X6X9.5
7	4X6X13	4X6X12
8	4X6X16	4X6X15.5
9	5X6X9	5X6X8.5
10	5X8X9.5	5X8X9
11	5X8X12	5X8X11
12	5X8X15.5	5X8X14.5
13	5X8X19	5X8X18
14	6X8X6.5	6X8X6
15	6X8X12	6X8X11
16	6X8X14	6X8X13.5
17	6X8X18	6X8X17
18	6X8X22	6X8X21
19	6X10X11	6X10X10.5
20	8X8X8	8X8X7.5
21	8X10X10	8X10X9.5
22	8X10X13.5	8X10X13
23	8X10X17	8X10X16
24	8X10X21	8X10X20
25	8X10X26	8X10X25
26	10X10X8	10X10X7.5
27	10X12X15.5	10X12X14.5
28	10X12X19	10X12X18
29	10X12X24	10X12X23
30	12X12X9	12X12X8.5
31	12X12X10	12X12X9.5
32	12X14X13	12X14X12.5
33	12X16X18	12X16X17
34	12X16X22	12X16X21
35	12X16X28	12X16X27
36	14X14X12	14X14X11
37	14X16X15	14X16X14.5
38	14X16X27.5	14X16X26
39	14X18X18	14X18X17
40	14X18X21	14X18X20
41	16X16X13.5	16X16X13
42	16X20X20.5	16X20X19.5
43	16X20X23	16X20X22
44	18X20X15.5	18X20X14.5
45	20X24X18	20X24X17

e-HSC general exploded view



Legend

No.	Description	Quantity
1	Large casing bolt	4
2	Large casing washer	4
3	Upper casing	1
4	Paper pad inlet (gasket)	1
5	Paper pad outlet (gasket)	1
6	Casing washer	*
7	Casing bolt	*
8	Tapered pin nut	2
9	Tapered pin	2
10	Plug ½" (upper casing)	1
11	Jacking screw	4
12	Bolt (bearing gland)	8
13	Washer (bearing gland)	8
14	Plug (bearing gland)	2
15	Bearing gland b (with gasket)	2
16	Locknut (bearing)	1
17	Lockwasher (bearing)	1
18	Deep groove ball bearing	2
19	Jacking screw (bearing housing)	4
20	Screw (bh top)	2
21	Grease cup	2
22	Bearing housing	2
23	Bolt (bearing housing)	8
24	Washer (bearing housing)	8

No.	Description	Quantity
25	Sensor screw	10
26	Lip seal	2
27	Shoulder ring	2
28	Seal gland	2
29	Bolt (seal gland)	8
30	Washer (seal gland)	8
31	O-ring (seal gland)	2
32	O-ring (stuffing box)	4
33	Stuffing box	8
34	Pin (seal body)	2
35	Mechanical seal	2
36	Shoulder ring (ms)	1
37	Circlip (snap ring)	1
38	Casing wear ring (optional)	2
39	Pin (cwr - optional)	2
40	Screw (optional - set 120° apart)	6
41	Impeller wear ring (optional)	2
42	Impeller	1
43	Shaft	1
44	Impeller key	1
45	Coupling key	1
46	Bearing gland a (with gasket)	1
47	Plug	10
48	Lower casing	1

* Quantity varies based on pump size

e-HSC pump general parts listing

Catalog no.	Part description	Quantity	Material	e-HSC 2.5X4X10.5	e-HSC 2.5X4X10
				Part number	
1	Large casing bolt	4	Steel		P6010994
2	Large casing washer	4	Steel		P6010259
4	Paper pad (inlet)	1	Cardboard		P6013350
5	Paper pad (outlet)	1	Cardboard		P6013351
6	Casing washer	8	Steel		P6010259
7	Casing bolt	8	Steel		P6010995
8	Tapered pin nut	2	Steel		P6010012
9	Tapered pin	2	Steel		P6010082
10	Plug ½" (upper casing)	1	Steel		P6010068
11	Jacking screw	2	Steel		P6010002
12	Bolts (bearing gland)	8	Steel		P6010240
13	Washer (bearing gland)	8	Steel		P6010249
14	Plug (bearing gland)	2	Steel		P6010066
15A	Bearing gland gasket	2	Cardboard		P6010990
15	Bearing gland B (outboard)	1	Cast iron		P6010909
16	Locknut (bearing)	1	Steel		P6010980
17	Lockwasher (bearing)	1	Steel		P6010981
18	Deep groove ball bearing	2	Steel		P6010989
19	Jacking screw (BH)	4	Steel		P6010265
20	Screw (BH top)	2	Steel		P6010010
21	Grease cup	2	Brass		P6010235
22	Bearing housing	2	Cast iron		P6010973
23	Bolt (bearing housing)	8	Steel		P6010009
24	Washer (bearing housing)	8	Steel		P6010025
25	Screw (vibration sensor)	6	Steel		P6010067
25A	Screw (temperature sensor)	4	Steel		P6010066
26	Lip seal	2	NBR		P6010988
27	Shoulder ring	1	Steel		P6010982
28	Seal gland	2	Cast iron		P6010971
29	Bolt (seal gland)	8	Steel		P6010240
30	Washer (seal gland)	8	Steel		P6010239
31	O-ring (seal gland)	2	FKM		P6010987
32	O-ring (stuffing box)	4	FKM		P6010983
33	Stuffing box	2	Cast iron		P6013506
34	Pin (seal body)	2	Steel		P6010226
35	Mechanical seal*	2			
36	Shoulder ring (MS)	1	SS 304		P6010984
37	Circlip (snap ring)	1	Steel		P6010985
38	Casing wear ring	2	Bronze		P6013514
39	Pin (CWR)	2	Steel		P6010226
42	Impeller*	1			
43	Shaft*	1			
44	Impeller key	1	Steel		P6010986
45	Coupling key	1	Steel		P6010991
46	Bearing gland A (inboard)	1	Cast iron		P6010911
47	Plug ½" (lower casing)	10	Steel		P6010069
48	Casing*	1			

* Denotes catalog item with multiple material configurations. Refer to item-specific replacement part table.

e-HSC pump general parts listing

Catalog no.	Part description	Quantity	Material	e-HSC 3X4X12.5	e-HSC 3X4X12
				Part number	
1	Large casing bolt	4	Steel		P6010257
2	Large casing washer	4	Steel		P6010026
4	Paper pad (inlet)	1	Cardboard		P6013132
5	Paper pad (outlet)	1	Cardboard		P6013133
6	Casing washer	11	Steel		P6010026
7	Casing bolt	11	Steel		P6010017
8	Tapered pin nut	2	Steel		P6010012
9	Tapered pin	2	Steel		P6010030
10	Plug ½" (upper casing)	1	Steel		P6010069
11	Jacking screw	2	Steel		P6010002
12	Bolts (bearing gland)	8	Steel		P6010240
13	Washer (bearing gland)	8	Steel		P6010239
14	Plug (bearing gland)	2	Steel		P6010066
15A	Bearing gland gasket	2	Cardboard		P6010990
15	Bearing gland B (outboard)	1	Cast iron		P6010909
16	Locknut (bearing)	1	Steel		P6010980
17	Lockwasher (bearing)	1	Steel		P6010981
18	Deep groove ball bearing	2	Steel		P6010989
19	Jacking screw (BH)	4	Steel		P6010265
20	Screw (BH top)	2	Steel		P6010010
21	Grease cup	2	Brass		P6010235
22	Bearing housing	2	Cast iron		P6010973
23	Bolt (bearing housing)	8	Steel		P6010009
24	Washer (bearing housing)	8	Steel		P6010025
25	Screw (vibration sensor)	6	Steel		P6010067
25A	Screw (temperature sensor)	4	Steel		P6010066
26	Lip seal	2	NBR		P6010988
27	Shoulder ring	1	Steel		P6010982
28	Seal gland	2	Cast iron		P6010971
29	Bolt (seal gland)	8	Steel		P6010240
30	Washer (seal gland)	8	Steel		P6010239
31	O-ring (seal gland)	2	FKM		P6010987
32	O-ring (stuffing box)	4	FKM		P6010983
33	Stuffing box	2	Cast iron		P6010912
34	Pin (seal body)	2	Steel		P6010226
35	Mechanical seal*	2			
36	Shoulder ring (MS)	1	SS 304		P6010984
37	Circlip (snap ring)	1	Steel		P6010985
38	Casing wear ring	2	Bronze		P6010974
39	Pin (CWR)	2	Steel		P6010226
42	Impeller*	1			
43	Shaft*	1			
44	Impeller key	1	Steel		P6010986
45	Coupling key	1	Steel		P6010991
46	Bearing gland A (inboard)	1	Cast iron		P6010911
47	Plug ½" (lower casing)	10	Steel		P6010069
48	Casing*	1			

* Denotes catalog item with multiple material configurations. Refer to item-specific replacement part table.

e-HSC pump general parts listing

Catalog no.	Part description	Quantity	Material	e-HSC 3X5X8.5	e-HSC 3X5X8
				Part number	
1	Large casing bolt	4	Steel		P6010994
2	Large casing washer	4	Steel		P6010259
4	Paper pad (inlet)	1	Cardboard		P6012500
5	Paper pad (outlet)	1	Cardboard		P6012501
6	Casing washer	11	Steel		P6010259
7	Casing bolt	11	Steel		P6010995
8	Tapered pin nut	2	Steel		P6010012
9	Tapered pin	2	Steel		P6010082
10	Plug ½" (upper casing)	1	Steel		P6010069
11	Jacking screw	2	Steel		P6010002
12	Bolts (bearing gland)	8	Steel		P6010240
13	Washer (bearing gland)	8	Steel		P6010239
14	Plug (bearing gland)	2	Steel		P6010066
15A	Bearing gland gasket	2	Cardboard		P6010990
15	Bearing gland B (outboard)	1	Cast iron		P6010909
16	Locknut (bearing)	1	Steel		P6010980
17	Lockwasher (bearing)	1	Steel		P6010981
18	Deep groove ball bearing	2	Steel		P6010989
19	Jacking screw (BH)	4	Steel		P6010265
20	Screw (BH top)	2	Steel		P6010010
21	Grease cup	2	Brass		P6010235
22	Bearing housing	2	Cast iron		P6010973
23	Bolt (bearing housing)	8	Steel		P6010009
24	Washer (bearing housing)	8	Steel		P6010025
25	Screw (vibration sensor)	6	Steel		P6010067
25A	Screw (temperature sensor)	4	Steel		P6010066
26	Lip seal	2	NBR		P6010988
27	Shoulder ring	1	Steel		P6010982
28	Seal gland	2	Cast iron		P6010971
29	Bolt (seal gland)	8	Steel		P6010240
30	Washer (seal gland)	8	Steel		P6010239
31	O-ring (seal gland)	2	FKM		P6010987
32	O-ring (stuffing box)	4	FKM		P6010983
33	Stuffing box	2	Cast iron		P6010912
34	Pin (seal body)	2	Steel		P6010226
35	Mechanical seal*	2			
36	Shoulder ring (MS)	1	SS 304		P6010984
37	Circlip (snap ring)	1	Steel		P6010985
38	Casing wear ring	2	Bronze		P6010974
39	Pin (CWR)	2	Steel		P6010226
42	Impeller*	1			
43	Shaft*	1			
44	Impeller key	1	Steel		P6010986
45	Coupling key	1	Steel		P6010991
46	Bearing gland A (inboard)	1	Cast iron		P6010911
47	Plug ½" (lower casing)	10	Steel		P6010069
48	Casing*	1			

* Denotes catalog item with multiple material configurations. Refer to item-specific replacement part table.

e-HSC pump general parts listing

Catalog no.	Part description	Quantity	Material	e-HSC 3X5X11	e-HSC 3X5X10.5
				Part number	
1	Large casing bolt	4	Steel		P6010994
2	Large casing washer	4	Steel		P6010259
4	Paper pad (inlet)	1	Cardboard		P6010992
5	Paper pad (outlet)	1	Cardboard		P6010993
6	Casing washer	12	Steel		P6010259
7	Casing bolt	12	Steel		P6010995
8	Tapered pin nut	2	Steel		P6010012
9	Tapered pin	2	Steel		P6010082
10	Plug ½" (upper casing)	1	Steel		P6010069
11	Jacking screw	2	Steel		P6010002
12	Bolts (bearing gland)	8	Steel		P6010240
13	Washer (bearing gland)	8	Steel		P6010239
14	Plug (bearing gland)	2	Steel		P6010066
15A	Bearing gland gasket	2	Cardboard		P6010990
15	Bearing gland B (outboard)	1	Cast iron		P6010909
16	Locknut (bearing)	1	Steel		P6010980
17	Lockwasher (bearing)	1	Steel		P6010981
18	Deep groove ball bearing	2	Steel		P6010989
19	Jacking screw (BH)	4	Steel		P6010265
20	Screw (BH top)	2	Steel		P6010010
21	Grease cup	2	Brass		P6010235
22	Bearing housing	2	Cast iron		P6010973
23	Bolt (bearing housing)	8	Steel		P6010009
24	Washer (bearing housing)	8	Steel		P6010025
25	Screw (vibration sensor)	6	Steel		P6010067
25A	Screw (temperature sensor)	4	Steel		P6010066
26	Lip seal	2	NBR		P6010988
27	Shoulder ring	1	Steel		P6010982
28	Seal gland	2	Cast iron		P6010971
29	Bolt (seal gland)	8	Steel		P6010240
30	Washer (seal gland)	8	Steel		P6010239
31	O-ring (seal gland)	2	FKM		P6010987
32	O-ring (stuffing box)	4	FKM		P6010983
33	Stuffing box	2	Cast iron		P6010912
34	Pin (seal body)	2	Steel		P6010226
35	Mechanical seal*	2			
36	Shoulder ring (MS)	1	SS 304		P6010984
37	Circlip (snap ring)	1	Steel		P6010985
38	Casing wear ring	2	Bronze		P6010974
39	Pin (CWR)	2	Steel		P6010226
42	Impeller*	1			
43	Shaft*	1			
44	Impeller key	1	Steel		P6010986
45	Coupling key	1	Steel		P6010991
46	Bearing gland A (inboard)	1	Cast iron		P6010911
47	Plug ½" (lower casing)	10	Steel		P6010069
48	Casing*	1			

* Denotes catalog item with multiple material configurations. Refer to item-specific replacement part table.

e-HSC pump general parts listing

Catalog no.	Part description	Quantity	Material	e-HSC 3X5X13.5	e-HSC 3X5X13
				Part number	
1	Large casing bolt	4	Steel		P6010994
2	Large casing washer	4	Steel		P6010259
4	Paper pad (inlet)	1	Cardboard		P6013134
5	Paper pad (outlet)	1	Cardboard		P6013135
6	Casing washer	10	Steel		P6010259
7	Casing bolt	10	Steel		P6010995
8	Tapered pin nut	2	Steel		P6010012
9	Tapered pin	2	Steel		P6010082
10	Plug ½" (upper casing)	1	Steel		P6010069
11	Jacking screw	2	Steel		P6010002
12	Bolts (bearing gland)	8	Steel		P6010240
13	Washer (bearing gland)	8	Steel		P6010239
14	Plug (bearing gland)	2	Steel		P6010066
15A	Bearing gland gasket	2	Cardboard		P6010990
15	Bearing gland B (outboard)	1	Cast iron		P6010909
16	Locknut (bearing)	1	Steel		P6010980
17	Lockwasher (bearing)	1	Steel		P6010981
18	Deep groove ball bearing	2	Steel		P6010989
19	Jacking screw (BH)	4	Steel		P6010265
20	Screw (BH top)	2	Steel		P6010010
21	Grease cup	2	Brass		P6010235
22	Bearing housing	2	Cast iron		P6010973
23	Bolt (bearing housing)	8	Steel		P6010009
24	Washer (bearing housing)	8	Steel		P6010025
25	Screw (vibration sensor)	6	Steel		P6010067
25A	Screw (temperature sensor)	4	Steel		P6010066
26	Lip seal	2	NBR		P6010988
27	Shoulder ring	1	Steel		P6010982
28	Seal gland	2	Cast iron		P6010971
29	Bolt (seal gland)	8	Steel		P6010240
30	Washer (seal gland)	8	Steel		P6010239
31	O-ring (seal gland)	2	FKM		P6010987
32	O-ring (stuffing box)	4	FKM		P6010983
33	Stuffing box	2	Cast iron		P6010912
34	Pin (seal body)	2	Steel		P6010226
35	Mechanical seal*	2			
36	Shoulder ring (MS)	1	SS 304		P6010984
37	Circlip (snap ring)	1	Steel		P6010985
38	Casing wear ring	2	Bronze		P6010370
39	Pin (CWR)	2	Steel		P6010226
42	Impeller*	1			
43	Shaft*	1			
44	Impeller key	1	Steel		P6010986
45	Coupling key	1	Steel		P6010991
46	Bearing gland A (inboard)	1	Cast iron		P6010911
47	Plug ½" (lower casing)	10	Steel		P6010069
48	Casing*	1			

* Denotes catalog item with multiple material configurations. Refer to item-specific replacement part table.

e-HSC pump general parts listing

Catalog no.	Part description	Quantity	Material	e-HSC 4X6X10	e-HSC 4X6X9.5
				Part number	
1	Large casing bolt	4	Steel		P6010994
2	Large casing washer	4	Steel		P6010259
4	Paper pad (inlet)	1	Cardboard		P6012546
5	Paper pad (outlet)	1	Cardboard		P6012547
6	Casing washer	11	Steel		P6010259
7	Casing bolt	11	Steel		P6010995
8	Tapered pin nut	2	Steel		P6010012
9	Tapered pin	2	Steel		P6010082
10	Plug ½" (upper casing)	1	Steel		P6010069
11	Jacking screw	2	Steel		P6010002
12	Bolts (bearing gland)	8	Steel		P6010240
13	Washer (bearing gland)	8	Steel		P6010239
14	Plug (bearing gland)	2	Steel		P6010066
15A	Bearing gland gasket	2	Cardboard		P6010990
15	Bearing gland B (outboard)	1	Cast iron		P6010909
16	Locknut (bearing)	1	Steel		P6010980
17	Lockwasher (bearing)	1	Steel		P6010981
18	Deep groove ball bearing	2	Steel		P6010989
19	Jacking screw (BH)	4	Steel		P6010265
20	Screw (BH top)	2	Steel		P6010010
21	Grease cup	2	Brass		P6010235
22	Bearing housing	2	Cast iron		P6010973
23	Bolt (bearing housing)	8	Steel		P6010009
24	Washer (bearing housing)	8	Steel		P6010025
25	Screw (vibration sensor)	6	Steel		P6010067
25A	Screw (temperature sensor)	4	Steel		P6010066
26	Lip seal	2	NBR		P6010988
27	Shoulder ring	1	Steel		P6010982
28	Seal gland	2	Cast iron		P6010971
29	Bolt (seal gland)	8	Steel		P6010240
30	Washer (seal gland)	8	Steel		P6010239
31	O-ring (seal gland)	2	FKM		P6010987
32	O-ring (stuffing box)	4	FKM		P6010983
33	Stuffing box	2	Cast iron		P6010912
34	Pin (seal body)	2	Steel		P6010226
35	Mechanical seal*	2			
36	Shoulder ring (MS)	1	SS 304		P6010984
37	Circlip (snap ring)	1	Steel		P6010985
38	Casing wear ring	2	Bronze		P6010975
39	Pin (CWR)	2	Steel		P6010226
42	Impeller*	1			
43	Shaft*	1			
44	Impeller key	1	Steel		P6010986
45	Coupling key	1	Steel		P6010991
46	Bearing gland A (inboard)	1	Cast iron		P6010911
47	Plug ½" (lower casing)	10	Steel		P6010069
48	Casing*	1			

* Denotes catalog item with multiple material configurations. Refer to item-specific replacement part table.

e-HSC pump general parts listing

Catalog no.	Part description	Quantity	Material	e-HSC 4X6X13	e-HSC 4X6X12
				Part number	
1	Large casing bolt	4	Steel		P6010257
2	Large casing washer	4	Steel		P6010026
4	Paper pad (inlet)	1	Cardboard		P6010264
5	Paper pad (outlet)	1	Cardboard		P6011005
6	Casing washer	8	Steel		P6010026
7	Casing bolt	8	Steel		P6010017
8	Tapered pin nut	2	Steel		P6010012
9	Tapered pin	2	Steel		P6010030
10	Plug ½" (upper casing)	1	Steel		P6010069
11	Jacking screw	2	Steel		P6010002
12	Bolts (bearing gland)	8	Steel		P6010240
13	Washer (bearing gland)	8	Steel		P6010239
14	Plug (bearing gland)	2	Steel		P6010066
15A	Bearing gland gasket	2	Cardboard		P6010253
15	Bearing gland B (outboard)	1	Cast iron		P6010267
16	Locknut (bearing)	1	Steel		P6010237
17	Lockwasher (bearing)	1	Steel		P6010238
18	Deep groove ball bearing	2	Steel		P6010252
19	Jacking screw (BH)	4	Steel		P6010265
20	Screw (BH top)	2	Steel		P6010010
21	Grease cup	2	Brass		P6010235
22	Bearing housing	2	Cast iron		P6010367
23	Bolt (bearing housing)	8	Steel		P6010009
24	Washer (bearing housing)	8	Steel		P6010025
25	Screw (vibration sensor)	6	Steel		P6010067
25A	Screw (temperature sensor)	4	Steel		P6010066
26	Lip seal	2	NBR		P6010251
27	Shoulder ring	1	Steel		P6010241
28	Seal gland	2	Cast iron		P6010365
29	Bolt (seal gland)	8	Steel		P6010240
30	Washer (seal gland)	8	Steel		P6010239
31	O-ring (seal gland)	2	FKM		P6010244
32	O-ring (stuffing box)	4	FKM		P6010243
33	Stuffing box	2	Cast iron		P6010269
34	Pin (seal body)	2	Steel		P6010226
35	Mechanical seal*	2			
36	Shoulder ring (MS)	1	SS 304		P6010242
37	Circlip (snap ring)	1	Steel		P6010245
38	Casing wear ring	2	Bronze		P6010370
39	Pin (CWR)	2	Steel		P6010226
42	Impeller*	1			
43	Shaft*	1			
44	Impeller key	1	Steel		P6010248
45	Coupling key	1	Steel		P6010247
46	Bearing gland A (inboard)	1	Cast iron		P6010369
47	Plug ½" (lower casing)	10	Steel		P6010069
48	Casing*	1			

* Denotes catalog item with multiple material configurations. Refer to item-specific replacement part table.

e-HSC pump general parts listing

Catalog no.	Part description	Quantity	Material	e-HSC 4X6X16	e-HSC 4X6X15.5
				Part number	
1	Large casing bolt	4	Steel		P6010257
2	Large casing washer	4	Steel		P6010026
4	Paper pad (inlet)	1	Cardboard		P6013136
5	Paper pad (outlet)	1	Cardboard		P6013137
6	Casing washer	13	Steel		P6010026
7	Casing bolt	13	Steel		P6010017
8	Tapered pin nut	2	Steel		P6010012
9	Tapered pin	2	Steel		P6010030
10	Plug ½" (upper casing)	1	Steel		P6010069
11	Jacking screw	2	Steel		P6010002
12	Bolts (bearing gland)	8	Steel		P6010240
13	Washer (bearing gland)	8	Steel		P6010239
14	Plug (bearing gland)	2	Steel		P6010066
15A	Bearing gland gasket	2	Cardboard		P6010990
15	Bearing gland B (outboard)	1	Cast iron		P6010909
16	Locknut (bearing)	1	Steel		P6010980
17	Lockwasher (bearing)	1	Steel		P6010981
18	Deep groove ball bearing	2	Steel		P6010989
19	Jacking screw (BH)	4	Steel		P6010265
20	Screw (BH top)	2	Steel		P6010010
21	Grease cup	2	Brass		P6010235
22	Bearing housing	2	Cast iron		P6010973
23	Bolt (bearing housing)	8	Steel		P6010009
24	Washer (bearing housing)	8	Steel		P6010025
25	Screw (vibration sensor)	6	Steel		P6010067
25A	Screw (temperature sensor)	4	Steel		P6010066
26	Lip seal	2	NBR		P6010988
27	Shoulder ring	1	Steel		P6010982
28	Seal gland	2	Cast iron		P6010971
29	Bolt (seal gland)	8	Steel		P6010240
30	Washer (seal gland)	8	Steel		P6010239
31	O-ring (seal gland)	2	FKM		P6010987
32	O-ring (stuffing box)	4	FKM		P6010983
33	Stuffing box	2	Cast iron		P6010912
34	Pin (seal body)	2	Steel		P6010226
35	Mechanical seal*	2			
36	Shoulder ring (MS)	1	SS 304		P6010984
37	Circlip (snap ring)	1	Steel		P6010985
38	Casing wear ring	2	Bronze		P6010975
39	Pin (CWR)	2	Steel		P6010226
42	Impeller*	1			
43	Shaft*	1			
44	Impeller key	1	Steel		P6010986
45	Coupling key	1	Steel		P6010991
46	Bearing gland A (inboard)	1	Cast iron		P6010911
47	Plug ½" (lower casing)	10	Steel		P6010069
48	Casing*	1			

* Denotes catalog item with multiple material configurations. Refer to item-specific replacement part table.

e-HSC pump general parts listing

Catalog no.	Part description	Quantity	Material	e-HSC 5X6X9	e-HSC 5X6X8.5
				Part number	
1	Large casing bolt	4	Steel		P6010994
2	Large casing washer	4	Steel		P6010259
4	Paper pad (inlet)	1	Cardboard		P6010996
5	Paper pad (outlet)	1	Cardboard		P6010997
6	Casing washer	11	Steel		P6010259
7	Casing bolt	11	Steel		P6010995
8	Tapered pin nut	2	Steel		P6010012
9	Tapered pin	2	Steel		P6010082
10	Plug ½" (upper casing)	1	Steel		P6010069
11	Jacking screw	2	Steel		P6010002
12	Bolts (bearing gland)	8	Steel		P6010240
13	Washer (bearing gland)	8	Steel		P6010239
14	Plug (bearing gland)	2	Steel		P6010066
15A	Bearing gland gasket	2	Cardboard		P6010990
15	Bearing gland B (outboard)	1	Cast iron		P6010909
16	Locknut (bearing)	1	Steel		P6010980
17	Lockwasher (bearing)	1	Steel		P6010981
18	Deep groove ball bearing	2	Steel		P6010989
19	Jacking screw (BH)	4	Steel		P6010265
20	Screw (BH top)	2	Steel		P6010010
21	Grease cup	2	Brass		P6010235
22	Bearing housing	2	Cast iron		P6010973
23	Bolt (bearing housing)	8	Steel		P6010009
24	Washer (bearing housing)	8	Steel		P6010025
25	Screw (vibration sensor)	6	Steel		P6010067
25A	Screw (temperature sensor)	4	Steel		P6010066
26	Lip seal	2	NBR		P6010988
27	Shoulder ring	1	Steel		P6010982
28	Seal gland	2	Cast iron		P6010971
29	Bolt (seal gland)	8	Steel		P6010240
30	Washer (seal gland)	8	Steel		P6010239
31	O-ring (seal gland)	2	FKM		P6010987
32	O-ring (stuffing box)	4	FKM		P6010983
33	Stuffing box	2	Cast iron		P6010912
34	Pin (seal body)	2	Steel		P6010226
35	Mechanical seal*	2			
36	Shoulder ring (MS)	1	SS 304		P6010984
37	Circlip (snap ring)	1	Steel		P6010985
38	Casing wear ring	2	Bronze		P6010975
39	Pin (CWR)	2	Steel		P6010226
42	Impeller*	1			
43	Shaft*	1			
44	Impeller key	1	Steel		P6010986
45	Coupling key	1	Steel		P6010991
46	Bearing gland A (inboard)	1	Cast iron		P6010911
47	Plug ½" (lower casing)	10	Steel		P6010069
48	Casing*	1			

* Denotes catalog item with multiple material configurations. Refer to item-specific replacement part table.

e-HSC pump general parts listing

Catalog no.	Part description	Quantity	Material	e-HSC 5X8X9.5	e-HSC 5X8X9
				Part number	
1	Large casing bolt	4	Steel		P6010994
2	Large casing washer	4	Steel		P6010259
4	Paper pad (inlet)	1	Cardboard		P6010261
5	Paper pad (outlet)	1	Cardboard		P6011006
6	Casing washer	13	Steel		P6010259
7	Casing bolt	13	Steel		P6010995
8	Tapered pin nut	2	Steel		P6010012
9	Tapered pin	2	Steel		P6010082
10	Plug ½" (upper casing)	1	Steel		P6010069
11	Jacking screw	2	Steel		P6010002
12	Bolts (bearing gland)	8	Steel		P6010240
13	Washer (bearing gland)	8	Steel		P6010239
14	Plug (bearing gland)	2	Steel		P6010066
15A	Bearing gland gasket	2	Cardboard		P6010253
15	Bearing gland B (outboard)	1	Cast iron		P6010267
16	Locknut (bearing)	1	Steel		P6010237
17	Lockwasher (bearing)	1	Steel		P6010238
18	Deep groove ball bearing	2	Steel		P6010252
19	Jacking screw (BH)	4	Steel		P6010265
20	Screw (BH top)	2	Steel		P6010010
21	Grease cup	2	Brass		P6010235
22	Bearing housing	2	Cast iron		P6010367
23	Bolt (bearing housing)	8	Steel		P6010009
24	Washer (bearing housing)	8	Steel		P6010025
25	Screw (vibration sensor)	6	Steel		P6010067
25A	Screw (temperature sensor)	4	Steel		P6010066
26	Lip seal	2	NBR		P6010251
27	Shoulder ring	1	Steel		P6010241
28	Seal gland	2	Cast iron		P6010365
29	Bolt (seal gland)	8	Steel		P6010240
30	Washer (seal gland)	8	Steel		P6010239
31	O-ring (seal gland)	2	FKM		P6010244
32	O-ring (stuffing box)	4	FKM		P6010243
33	Stuffing box	2	Cast iron		P6010268
34	Pin (seal body)	2	Steel		P6010226
35	Mechanical seal*	2			
36	Shoulder ring (MS)	1	SS 304		P6010242
37	Circlip (snap ring)	1	Steel		P6010245
38	Casing wear ring	2	Bronze		P6010371
39	Pin (CWR)	2	Steel		P6010226
42	Impeller*	1			
43	Shaft*	1			
44	Impeller key	1	Steel		P6010248
45	Coupling key	1	Steel		P6010247
46	Bearing gland A (inboard)	1	Cast iron		P6010369
47	Plug ½" (lower casing)	10	Steel		P6010069
48	Casing*	1			

* Denotes catalog item with multiple material configurations. Refer to item-specific replacement part table.

e-HSC pump general parts listing

Catalog no.	Part description	Quantity	Material	e-HSC 5X8X12	e-HSC 5X8X11
				Part number	
1	Large casing bolt	4	Steel		P6010257
2	Large casing washer	4	Steel		P6010026
4	Paper pad (inlet)	1	Cardboard		P6013138
5	Paper pad (outlet)	1	Cardboard		P6013139
6	Casing washer	11	Steel		P6010026
7	Casing bolt	11	Steel		P6010017
8	Tapered pin nut	2	Steel		P6010012
9	Tapered pin	2	Steel		P6010030
10	Plug ½" (upper casing)	1	Steel		P6010069
11	Jacking screw	2	Steel		P6010002
12	Bolts (bearing gland)	8	Steel		P6010240
13	Washer (bearing gland)	8	Steel		P6010239
14	Plug (bearing gland)	2	Steel		P6010066
15A	Bearing gland gasket	2	Cardboard		P6010253
15	Bearing gland B (outboard)	1	Cast iron		P6010267
16	Locknut (bearing)	1	Steel		P6010237
17	Lockwasher (bearing)	1	Steel		P6010238
18	Deep groove ball bearing	2	Steel		P6010252
19	Jacking screw (BH)	4	Steel		P6010265
20	Screw (BH top)	2	Steel		P6010010
21	Grease cup	2	Brass		P6010235
22	Bearing housing	2	Cast iron		P6010367
23	Bolt (bearing housing)	8	Steel		P6010009
24	Washer (bearing housing)	8	Steel		P6010025
25	Screw (vibration sensor)	6	Steel		P6010067
25A	Screw (temperature sensor)	4	Steel		P6010066
26	Lip seal	2	NBR		P6010251
27	Shoulder ring	1	Steel		P6010241
28	Seal gland	2	Cast iron		P6010365
29	Bolt (seal gland)	8	Steel		P6010240
30	Washer (seal gland)	8	Steel		P6010239
31	O-ring (seal gland)	2	FKM		P6010244
32	O-ring (stuffing box)	4	FKM		P6010243
33	Stuffing box	2	Cast iron		P6010268
34	Pin (seal body)	2	Steel		P6010226
35	Mechanical seal*	2			
36	Shoulder ring (MS)	1	SS 304		P6010242
37	Circlip (snap ring)	1	Steel		P6010245
38	Casing wear ring	2	Bronze		P6010371
39	Pin (CWR)	2	Steel		P6010226
42	Impeller*	1			
43	Shaft*	1			
44	Impeller key	1	Steel		P6010248
45	Coupling key	1	Steel		P6010247
46	Bearing gland A (inboard)	1	Cast iron		P6010369
47	Plug ½" (lower casing)	10	Steel		P6010069
48	Casing*	1			

* Denotes catalog item with multiple material configurations. Refer to item-specific replacement part table.

e-HSC pump general parts listing

Catalog no.	Part description	Quantity	Material	e-HSC 5X8X15.5	e-HSC 5X8X14.5
				Part number	
1	Large casing bolt	4	Steel		P6010257
2	Large casing washer	4	Steel		P6010026
4	Paper pad (inlet)	1	Cardboard		P6012592
5	Paper pad (outlet)	1	Cardboard		P6012593
6	Casing washer	14	Steel		P6010026
7	Casing bolt	14	Steel		P6010017
8	Tapered pin nut	2	Steel		P6010012
9	Tapered pin	2	Steel		P6010030
10	Plug ½" (upper casing)	1	Steel		P6010069
11	Jacking screw	2	Steel		P6010002
12	Bolts (bearing gland)	8	Steel		P6010240
13	Washer (bearing gland)	8	Steel		P6010239
14	Plug (bearing gland)	2	Steel		P6010066
15A	Bearing gland gasket	2	Cardboard		P6010253
15	Bearing gland B (outboard)	1	Cast iron		P6010267
16	Locknut (bearing)	1	Steel		P6010237
17	Lockwasher (bearing)	1	Steel		P6010238
18	Deep groove ball bearing	2	Steel		P6010252
19	Jacking screw (BH)	4	Steel		P6010265
20	Screw (BH top)	2	Steel		P6010010
21	Grease cup	2	Brass		P6010235
22	Bearing housing	2	Cast iron		P6010367
23	Bolt (bearing housing)	8	Steel		P6010009
24	Washer (bearing housing)	8	Steel		P6010025
25	Screw (vibration sensor)	6	Steel		P6010067
25A	Screw (temperature sensor)	4	Steel		P6010066
26	Lip seal	2	NBR		P6010251
27	Shoulder ring	1	Steel		P6010241
28	Seal gland	2	Cast iron		P6010365
29	Bolt (seal gland)	8	Steel		P6010240
30	Washer (seal gland)	8	Steel		P6010239
31	O-ring (seal gland)	2	FKM		P6010244
32	O-ring (stuffing box)	4	FKM		P6010243
33	Stuffing box	2	Cast iron		P6010268
34	Pin (seal body)	2	Steel		P6010226
35	Mechanical seal*	2			
36	Shoulder ring (MS)	1	SS 304		P6010242
37	Circlip (snap ring)	1	Steel		P6010245
38	Casing wear ring	2	Bronze		P6010371
39	Pin (CWR)	2	Steel		P6010226
42	Impeller*	1			
43	Shaft*	1			
44	Impeller key	1	Steel		P6010248
45	Coupling key	1	Steel		P6010247
46	Bearing gland A (inboard)	1	Cast iron		P6010369
47	Plug ½" (lower casing)	10	Steel		P6010069
48	Casing*	1			

* Denotes catalog item with multiple material configurations. Refer to item-specific replacement part table.

e-HSC pump general parts listing

Catalog no.	Part description	Quantity	Material	e-HSC 5X8X19	e-HSC 5X8X18
				Part number	
1	Large casing bolt	4	Steel		P6010257
2	Large casing washer	4	Steel		P6010026
4	Paper pad (inlet)	1	Cardboard		P6010262
5	Paper pad (outlet)	1	Cardboard		P6011007
6	Casing washer	16	Steel		P6010026
7	Casing bolt	16	Steel		P6010017
8	Tapered pin nut	2	Steel		P6010012
9	Tapered pin	2	Steel		P6010030
10	Plug ½" (upper casing)	1	Steel		P6010069
11	Jacking screw	2	Steel		P6010002
12	Bolts (bearing gland)	8	Steel		P6010240
13	Washer (bearing gland)	8	Steel		P6010239
14	Plug (bearing gland)	2	Steel		P6010066
15A	Bearing gland gasket	2	Cardboard		P6010253
15	Bearing gland B (outboard)	1	Cast iron		P6010267
16	Locknut (bearing)	1	Steel		P6010237
17	Lockwasher (bearing)	1	Steel		P6010238
18	Deep groove ball bearing	2	Steel		P6010252
19	Jacking screw (BH)	4	Steel		P6010265
20	Screw (BH top)	2	Steel		P6010010
21	Grease cup	2	Brass		P6010235
22	Bearing housing	2	Cast iron		P6010367
23	Bolt (bearing housing)	8	Steel		P6010009
24	Washer (bearing housing)	8	Steel		P6010025
25	Screw (vibration sensor)	6	Steel		P6010067
25A	Screw (temperature sensor)	4	Steel		P6010066
26	Lip seal	2	NBR		P6010251
27	Shoulder ring	1	Steel		P6010241
28	Seal gland	2	Cast iron		P6010365
29	Bolt (seal gland)	8	Steel		P6010240
30	Washer (seal gland)	8	Steel		P6010239
31	O-ring (seal gland)	2	FKM		P6010244
32	O-ring (stuffing box)	4	FKM		P6010243
33	Stuffing box	2	Cast iron		P6010268
34	Pin (seal body)	2	Steel		P6010226
35	Mechanical seal*	2			
36	Shoulder ring (MS)	1	SS 304		P6010242
37	Circlip (snap ring)	1	Steel		P6010245
38	Casing wear ring	2	Bronze		P6010371
39	Pin (CWR)	2	Steel		P6010226
42	Impeller*	1			
43	Shaft*	1			
44	Impeller key	1	Steel		P6010248
45	Coupling key	1	Steel		P6010247
46	Bearing gland A (inboard)	1	Cast iron		P6010369
47	Plug ½" (lower casing)	10	Steel		P6010069
48	Casing*	1			

* Denotes catalog item with multiple material configurations. Refer to item-specific replacement part table.

e-HSC pump general parts listing

Catalog no.	Part description	Quantity	Material	e-HSC 6X8X6.5	e-HSC 6X8X6
				Part number	
1	Large casing bolt	4	Steel		P6010994
2	Large casing washer	4	Steel		P6010259
4	Paper pad (inlet)	1	Cardboard		P6013348
5	Paper pad (outlet)	1	Cardboard		P6013349
6	Casing washer	12	Steel		P6010259
7	Casing bolt	12	Steel		P6010995
8	Tapered pin nut	2	Steel		P6010012
9	Tapered pin	2	Steel		P6010082
10	Plug ½" (upper casing)	1	Steel		P6010069
11	Jacking screw	2	Steel		P6010002
12	Bolts (bearing gland)	8	Steel		P6010240
13	Washer (bearing gland)	8	Steel		P6010239
14	Plug (bearing gland)	2	Steel		P6010066
15A	Bearing gland gasket	2	Cardboard		P6010990
15	Bearing gland B (outboard)	1	Cast iron		P6010909
16	Locknut (bearing)	1	Steel		P6010980
17	Lockwasher (bearing)	1	Steel		P6010981
18	Deep groove ball bearing	2	Steel		P6010989
19	Jacking screw (BH)	4	Steel		P6010265
20	Screw (BH top)	2	Steel		P6010010
21	Grease cup	2	Brass		P6010235
22	Bearing housing	2	Cast iron		P6010973
23	Bolt (bearing housing)	8	Steel		P6010009
24	Washer (bearing housing)	8	Steel		P6010025
25	Screw (vibration sensor)	6	Steel		P6010067
25A	Screw (temperature sensor)	4	Steel		P6010066
26	Lip seal	2	NBR		P6010988
27	Shoulder ring	1	Steel		P6010982
28	Seal gland	2	Cast iron		P6010971
29	Bolt (seal gland)	8	Steel		P6010240
30	Washer (seal gland)	8	Steel		P6010239
31	O-ring (seal gland)	2	FKM		P6010987
32	O-ring (stuffing box)	4	FKM		P6010983
33	Stuffing box	2	Cast iron		P6010912
34	Pin (seal body)	2	Steel		P6010226
35	Mechanical seal*	2			
36	Shoulder ring (MS)	1	SS 304		P6010984
37	Circlip (snap ring)	1	Steel		P6010985
38	Casing wear ring	2	Bronze		P6010370
39	Pin (CWR)	2	Steel		P6010226
42	Impeller*	1			
43	Shaft*	1			
44	Impeller key	1	Steel		P6010986
45	Coupling key	1	Steel		P6010991
46	Bearing gland A (inboard)	1	Cast iron		P6010911
47	Plug ½" (lower casing)	10	Steel		P6010069
48	Casing*	1			

* Denotes catalog item with multiple material configurations. Refer to item-specific replacement part table.

e-HSC pump general parts listing

Catalog no.	Part description	Quantity	Material	e-HSC 6X8X12	e-HSC 6X8X11
				Part number	
1	Large casing bolt	4	Steel		P6010257
2	Large casing washer	4	Steel		P6010026
4	Paper pad (inlet)	1	Cardboard		P6013142
5	Paper pad (outlet)	1	Cardboard		P6013143
6	Casing washer	15	Steel		P6010026
7	Casing bolt	15	Steel		P6010017
8	Tapered pin nut	2	Steel		P6010012
9	Tapered pin	2	Steel		P6010030
10	Plug ½" (upper casing)	1	Steel		P6010069
11	Jacking screw	2	Steel		P6010002
12	Bolts (bearing gland)	8	Steel		P6010240
13	Washer (bearing gland)	8	Steel		P6010239
14	Plug (bearing gland)	2	Steel		P6010066
15A	Bearing gland gasket	2	Cardboard		P6010253
15	Bearing gland B (outboard)	1	Cast iron		P6010267
16	Locknut (bearing)	1	Steel		P6010237
17	Lockwasher (bearing)	1	Steel		P6010238
18	Deep groove ball bearing	2	Steel		P6010252
19	Jacking screw (BH)	4	Steel		P6010236
20	Screw (BH top)	2	Steel		P6010010
21	Grease cup	2	Brass		P6010235
22	Bearing housing	2	Cast iron		P6010367
23	Bolt (bearing housing)	8	Steel		P6010009
24	Washer (bearing housing)	8	Steel		P6010025
25	Screw (vibration sensor)	6	Steel		P6010067
25A	Screw (temperature sensor)	4	Steel		P6010066
26	Lip seal	2	NBR		P6010251
27	Shoulder ring	1	Steel		P6010241
28	Seal gland	2	Cast iron		P6010365
29	Bolt (seal gland)	8	Steel		P6010240
30	Washer (seal gland)	8	Steel		P6010239
31	O-ring (seal gland)	2	FKM		P6010244
32	O-ring (stuffing box)	4	FKM		P6010243
33	Stuffing box	2	Cast iron		P6010268
34	Pin (seal body)	2	Steel		P6010226
35	Mechanical seal*	2			
36	Shoulder ring (MS)	1	SS 304		P6010242
37	Circlip (snap ring)	1	Steel		P6010245
38	Casing wear ring	2	Bronze		P6010372
39	Pin (CWR)	2	Steel		P6010226
42	Impeller*	1			
43	Shaft*	1			
44	Impeller key	1	Steel		P6010250
45	Coupling key	1	Steel		P6010247
46	Bearing gland A (inboard)	1	Cast iron		P6010369
47	Plug ½" (lower casing)	10	Steel		P6010069
48	Casing*	1			

* Denotes catalog item with multiple material configurations. Refer to item-specific replacement part table.

e-HSC pump general parts listing

Catalog no.	Part description	Quantity	Material	e-HSC 6X8X14	e-HSC 6X8X13.5
				Part number	
1	Large casing bolt	4	Steel		P6010257
2	Large casing washer	4	Steel		P6010026
4	Paper pad (inlet)	1	Cardboard		P6010263
5	Paper pad (outlet)	1	Cardboard		P6011008
6	Casing washer	17	Steel		P6010026
7	Casing bolt	17	Steel		P6010017
8	Tapered pin nut	2	Steel		P6010012
9	Tapered pin	2	Steel		P6010030
10	Plug ½" (upper casing)	1	Steel		P6010069
11	Jacking screw	2	Steel		P6010002
12	Bolts (bearing gland)	8	Steel		P6010240
13	Washer (bearing gland)	8	Steel		P6010239
14	Plug (bearing gland)	2	Steel		P6010066
15A	Bearing gland gasket	2	Cardboard		P6010253
15	Bearing gland B (outboard)	1	Cast iron		P6010267
16	Locknut (bearing)	1	Steel		P6010237
17	Lockwasher (bearing)	1	Steel		P6010238
18	Deep groove ball bearing	2	Steel		P6010252
19	Jacking screw (BH)	4	Steel		P6010236
20	Screw (BH top)	2	Steel		P6010010
21	Grease cup	2	Brass		P6010235
22	Bearing housing	2	Cast iron		P6010367
23	Bolt (bearing housing)	8	Steel		P6010009
24	Washer (bearing housing)	8	Steel		P6010025
25	Screw (vibration sensor)	6	Steel		P6010067
25A	Screw (temperature sensor)	4	Steel		P6010066
26	Lip seal	2	NBR		P6010251
27	Shoulder ring	1	Steel		P6010241
28	Seal gland	2	Cast iron		P6010365
29	Bolt (seal gland)	8	Steel		P6010240
30	Washer (seal gland)	8	Steel		P6010239
31	O-ring (seal gland)	2	FKM		P6010244
32	O-ring (stuffing box)	4	FKM		P6010243
33	Stuffing box	2	Cast iron		P6010268
34	Pin (seal body)	2	Steel		P6010226
35	Mechanical seal*	2			
36	Shoulder ring (MS)	1	SS 304		P6010242
37	Circlip (snap ring)	1	Steel		P6010245
38	Casing wear ring	2	Bronze		P6010372
39	Pin (CWR)	2	Steel		P6010226
42	Impeller*	1			
43	Shaft*	1			
44	Impeller key	1	Steel		P6010250
45	Coupling key	1	Steel		P6010247
46	Bearing gland A (inboard)	1	Cast iron		P6010369
47	Plug ½" (lower casing)	10	Steel		P6010069
48	Casing*	1			

* Denotes catalog item with multiple material configurations. Refer to item-specific replacement part table.

e-HSC pump general parts listing

Catalog no.	Part description	Quantity	Material	e-HSC 6X8X18	e-HSC 6X8X17
				Part number	
1	Large casing bolt	4	Steel		P6010257
2	Large casing washer	4	Steel		P6010026
4	Paper pad (inlet)	1	Cardboard		P6012642
5	Paper pad (outlet)	1	Cardboard		P6012643
6	Casing washer	15	Steel		P6010026
7	Casing bolt	15	Steel		P6010017
8	Tapered pin nut	2	Steel		P6010012
9	Tapered pin	2	Steel		P6010030
10	Plug ½" (upper casing)	1	Steel		P6010069
11	Jacking screw	2	Steel		P6010002
12	Bolts (bearing gland)	8	Steel		P6010007
13	Washer (bearing gland)	8	Steel		P6010025
14	Plug (bearing gland)	2	Steel		P6010071
15A	Bearing gland gasket	2	Cardboard		P6010103
15	Bearing gland B (outboard)	1	Cast iron		P6010087
16	Locknut (bearing)	1	Steel		P6010040
17	Lockwasher (bearing)	1	Steel		P6010033
18	Deep groove ball bearing	2	Steel		P6010102
19	Jacking screw (BH)	4	Steel		P6010001
20	Screw (BH top)	2	Steel		P6010010
21	Grease cup	2	Brass		P6010235
22	Bearing housing	2	Cast iron		P6010101
23	Bolt (bearing housing)	8	Steel		P6010008
24	Washer (bearing housing)	8	Steel		P6010027
25	Screw (vibration sensor)	6	Steel		P6010067
25A	Screw (temperature sensor)	4	Steel		P6010066
26	Lip seal	2	NBR		P6010061
27	Shoulder ring	1	Steel		P6010043
28	Seal gland	2	Cast iron		P6010099
29	Bolt (seal gland)	8	Steel		P6010007
30	Washer (seal gland)	8	Steel		P6010025
31	O-ring (seal gland)	2	FKM		P6010056
32	O-ring (stuffing box)	4	FKM		P6010220
33	Stuffing box	2	Cast iron		P6010088
34	Pin (seal body)	2	Steel		P6010036
35	Mechanical seal*	2			
36	Shoulder ring (MS)	1	SS 304		P6010047
37	Circlip (snap ring)	1	Steel		P6010037
38	Casing wear ring	2	Bronze		P6012638
39	Pin (CWR)	2	Steel		P6010226
42	Impeller*	1			
43	Shaft*	1			
44	Impeller key	1	Steel		P6010074
45	Coupling key	1	Steel		P6010075
46	Bearing gland A (inboard)	1	Cast iron		P6010105
47	Plug ½" (lower casing)	10	Steel		P6010069
48	Casing*	1			

* Denotes catalog item with multiple material configurations. Refer to item-specific replacement part table.

e-HSC pump general parts listing

Catalog no.	Part description	Quantity	Material	e-HSC 6X8X22	e-HSC 6X8X21
				Part number	
1	Large casing bolt	4	Steel		P6010020
2	Large casing washer	4	Steel		P6010026
4	Paper pad (inlet)	1	Cardboard		P6012686
5	Paper pad (outlet)	1	Cardboard		P6012687
6	Casing washer	18	Steel		P6010026
7	Casing bolt	18	Steel		P6010019
8	Tapered pin nut	2	Steel		P6010013
9	Tapered pin	2	Steel		P6010222
10	Plug ½" (upper casing)	1	Steel		P6010069
11	Jacking screw	2	Steel		P6010003
12	Bolts (bearing gland)	8	Steel		P6010007
13	Washer (bearing gland)	8	Steel		P6010025
14	Plug (bearing gland)	2	Steel		P6010071
15A	Bearing gland gasket	2	Cardboard		P6010146
15	Bearing gland B (outboard)	1	Cast iron		P6010130
16	Locknut (bearing)	1	Steel		P6010041
17	Lockwasher (bearing)	1	Steel		P6010034
18	Deep groove ball bearing	2	Steel		P6010145
19	Jacking screw (BH)	4	Steel		P6010001
20	Screw (BH top)	2	Steel		P6010010
21	Grease cup	2	Brass		P6010235
22	Bearing housing	2	Cast iron		P6010144
23	Bolt (bearing housing)	8	Steel		P6010008
24	Washer (bearing housing)	8	Steel		P6010027
25	Screw (vibration sensor)	6	Steel		P6010067
25A	Screw (temperature sensor)	4	Steel		P6010066
26	Lip seal	2	NBR		P6010062
27	Shoulder ring	1	Steel		P6010045
28	Seal gland	2	Cast iron		P6010142
29	Bolt (seal gland)	8	Steel		P6010007
30	Washer (seal gland)	8	Steel		P6010025
31	O-ring (seal gland)	2	FKM		P6010058
32	O-ring (stuffing box)	4	FKM		P6010057
33	Stuffing box	2	Cast iron		P6010131
34	Pin (seal body)	2	Steel		P6010226
35	Mechanical seal*	2			
36	Shoulder ring (MS)	1	SS 304		P6010046
37	Circlip (snap ring)	1	Steel		P6010038
38	Casing wear ring	2	Bronze		P6010374
39	Pin (CWR)	2	Steel		P6010226
42	Impeller*	1			
43	Shaft*	1			
44	Impeller key	1	Steel		P6010905
45	Coupling key	1	Steel		P6010074
46	Bearing gland A (inboard)	1	Cast iron		P6010148
47	Plug ½" (lower casing)	10	Steel		P6010069
48	Casing*	1			

* Denotes catalog item with multiple material configurations. Refer to item-specific replacement part table.

e-HSC pump general parts listing

Catalog no.	Part description	Quantity	Material	e-HSC 6X10X11	e-HSC 6X10X10.5
				Part number	
1	Large casing bolt	4	Steel		P6010257
2	Large casing washer	4	Steel		P6010026
4	Paper pad (inlet)	1	Cardboard		P6013140
5	Paper pad (outlet)	1	Cardboard		P6013141
6	Casing washer	13	Steel		P6010026
7	Casing bolt	13	Steel		P6010017
8	Tapered pin nut	2	Steel		P6010012
9	Tapered pin	2	Steel		P6010030
10	Plug ½" (upper casing)	1	Steel		P6010069
11	Jacking screw	2	Steel		P6010002
12	Bolts (bearing gland)	8	Steel		P6010007
13	Washer (bearing gland)	8	Steel		P6010025
14	Plug (bearing gland)	2	Steel		P6010071
15A	Bearing gland gasket	2	Cardboard		P6010103
15	Bearing gland B (outboard)	1	Cast iron		P6010087
16	Locknut (bearing)	1	Steel		P6010040
17	Lockwasher (bearing)	1	Steel		P6010033
18	Deep groove ball bearing	2	Steel		P6010102
19	Jacking screw (BH)	4	Steel		P6010001
20	Screw (BH top)	2	Steel		P6010010
21	Grease cup	2	Brass		P6010235
22	Bearing housing	2	Cast iron		P6010101
23	Bolt (bearing housing)	8	Steel		P6010008
24	Washer (bearing housing)	8	Steel		P6010027
25	Screw (vibration sensor)	6	Steel		P6010067
25A	Screw (temperature sensor)	4	Steel		P6010066
26	Lip seal	2	NBR		P6010061
27	Shoulder ring	1	Steel		P6010043
28	Seal gland	2	Cast iron		P6010099
29	Bolt (seal gland)	8	Steel		P6010007
30	Washer (seal gland)	8	Steel		P6010025
31	O-ring (seal gland)	2	FKM		P6010056
32	O-ring (stuffing box)	4	FKM		P6010220
33	Stuffing box	2	Cast iron		P6010907
34	Pin (seal body)	2	Steel		P6010036
35	Mechanical seal*	2			
36	Shoulder ring (MS)	1	SS 304		P6010047
37	Circlip (snap ring)	1	Steel		P6010037
38	Casing wear ring	2	Bronze		P6010372
39	Pin (CWR)	2	Steel		P6010226
42	Impeller*	1			
43	Shaft*	1			
44	Impeller key	1	Steel		P6010074
45	Coupling key	1	Steel		P6010075
46	Bearing gland A (inboard)	1	Cast iron		P6010105
47	Plug ½" (lower casing)	10	Steel		P6010069
48	Casing*	1			

* Denotes catalog item with multiple material configurations. Refer to item-specific replacement part table.

e-HSC pump general parts listing

Catalog no.	Part description	Quantity	Material	e-HSC 8X8X8	e-HSC 8X8X7.5
				Part number	
1	Large casing bolt	4	Steel		P6010257
2	Large casing washer	4	Steel		P6010026
4	Paper pad (inlet)	1	Cardboard		P6013346
5	Paper pad (outlet)	1	Cardboard		P6013347
6	Casing washer	12	Steel		P6010026
7	Casing bolt	12	Steel		P6010017
8	Tapered pin nut	2	Steel		P6010012
9	Tapered pin	2	Steel		P6010030
10	Plug ½" (upper casing)	1	Steel		P6010069
11	Jacking screw	2	Steel		P6010002
12	Bolts (bearing gland)	8	Steel		P6010240
13	Washer (bearing gland)	8	Steel		P6010239
14	Plug (bearing gland)	2	Steel		P6010066
15A	Bearing gland gasket	2	Cardboard		P6010990
15	Bearing gland B (outboard)	1	Cast iron		P6010909
16	Locknut (bearing)	1	Steel		P6010980
17	Lockwasher (bearing)	1	Steel		P6010981
18	Deep groove ball bearing	2	Steel		P6010989
19	Jacking screw (BH)	4	Steel		P6010265
20	Screw (BH top)	2	Steel		P6010010
21	Grease cup	2	Brass		P6010235
22	Bearing housing	2	Cast iron		P6010973
23	Bolt (bearing housing)	8	Steel		P6010009
24	Washer (bearing housing)	8	Steel		P6010025
25	Screw (vibration sensor)	6	Steel		P6010067
25A	Screw (temperature sensor)	4	Steel		P6010066
26	Lip seal	2	NBR		P6010988
27	Shoulder ring	1	Steel		P6010982
28	Seal gland	2	Cast iron		P6010971
29	Bolt (seal gland)	8	Steel		P6010240
30	Washer (seal gland)	8	Steel		P6010239
31	O-ring (seal gland)	2	FKM		P6010987
32	O-ring (stuffing box)	4	FKM		P6010983
33	Stuffing box	2	Cast iron		P6010912
34	Pin (seal body)	2	Steel		P6010226
35	Mechanical seal*	2			
36	Shoulder ring (MS)	1	SS 304		P6010984
37	Circlip (snap ring)	1	Steel		P6010985
38	Casing wear ring	2	Bronze		P6010975
39	Pin (CWR)	2	Steel		P6010226
42	Impeller*	1			
43	Shaft*	1			
44	Impeller key	1	Steel		P6010986
45	Coupling key	1	Steel		P6010991
46	Bearing gland A (inboard)	1	Cast iron		P6010911
47	Plug ½" (lower casing)	10	Steel		P6010069
48	Casing*	1			

* Denotes catalog item with multiple material configurations. Refer to item-specific replacement part table.

e-HSC pump general parts listing

Catalog no.	Part description	Quantity	Material	e-HSC 8X10X10	e-HSC 8X10X9.5
				Part number	
1	Large casing bolt	4	Steel		P6010257
2	Large casing washer	4	Steel		P6010026
4	Paper pad (inlet)	1	Cardboard		P6013144
5	Paper pad (outlet)	1	Cardboard		P6013145
6	Casing washer	15	Steel		P6010026
7	Casing bolt	15	Steel		P6010017
8	Tapered pin nut	2	Steel		P6010012
9	Tapered pin	2	Steel		P6010030
10	Plug ½" (upper casing)	1	Steel		P6010069
11	Jacking screw	2	Steel		P6010002
12	Bolts (bearing gland)	8	Steel		P6010240
13	Washer (bearing gland)	8	Steel		P6010239
14	Plug (bearing gland)	2	Steel		P6010066
15A	Bearing gland gasket	2	Cardboard		P6010253
15	Bearing gland B (outboard)	1	Cast iron		P6010267
16	Locknut (bearing)	1	Steel		P6010237
17	Lockwasher (bearing)	1	Steel		P6010238
18	Deep groove ball bearing	2	Steel		P6010252
19	Jacking screw (BH)	4	Steel		P6010265
20	Screw (BH top)	2	Steel		P6010010
21	Grease cup	2	Brass		P6010235
22	Bearing housing	2	Cast iron		P6010367
23	Bolt (bearing housing)	8	Steel		P6010009
24	Washer (bearing housing)	8	Steel		P6010025
25	Screw (vibration sensor)	6	Steel		P6010067
25A	Screw (temperature sensor)	4	Steel		P6010066
26	Lip seal	2	NBR		P6010251
27	Shoulder ring	1	Steel		P6010241
28	Seal gland	2	Cast iron		P6010365
29	Bolt (seal gland)	8	Steel		P6010240
30	Washer (seal gland)	8	Steel		P6010239
31	O-ring (seal gland)	2	FKM		P6010244
32	O-ring (stuffing box)	4	FKM		P6010243
33	Stuffing box	2	Cast iron		P6010268
34	Pin (seal body)	2	Steel		P6010226
35	Mechanical seal*	2			
36	Shoulder ring (MS)	1	SS 304		P6010242
37	Circlip (snap ring)	1	Steel		P6010245
38	Casing wear ring	2	Bronze		P6013148
39	Pin (CWR)	2	Steel		P6010226
42	Impeller*	1			
43	Shaft*	1			
44	Impeller key	1	Steel		P6010250
45	Coupling key	1	Steel		P6010247
46	Bearing gland A (inboard)	1	Cast iron		P6010369
47	Plug ½" (lower casing)	10	Steel		P6010069
48	Casing*	1			

* Denotes catalog item with multiple material configurations. Refer to item-specific replacement part table.

e-HSC pump general parts listing

Catalog no.	Part description	Quantity	Material	e-HSC 8X10X13.5	e-HSC 8X10X13
				Part number	
1	Large casing bolt	4	Steel		P6010257
2	Large casing washer	4	Steel		P6010026
4	Paper pad (inlet)	1	Cardboard		P6011009
5	Paper pad (outlet)	1	Cardboard		P6011010
6	Casing washer	14	Steel		P6010026
7	Casing bolt	14	Steel		P6010017
8	Tapered pin nut	2	Steel		P6010012
9	Tapered pin	2	Steel		P6010030
10	Plug ½" (upper casing)	1	Steel		P6010069
11	Jacking screw	2	Steel		P6010002
12	Bolts (bearing gland)	8	Steel		P6010007
13	Washer (bearing gland)	8	Steel		P6010025
14	Plug (bearing gland)	2	Steel		P6010071
15A	Bearing gland gasket	2	Cardboard		P6010103
15	Bearing gland B (outboard)	1	Cast iron		P6010087
16	Locknut (bearing)	1	Steel		P6010040
17	Lockwasher (bearing)	1	Steel		P6010033
18	Deep groove ball bearing	2	Steel		P6010102
19	Jacking screw (BH)	4	Steel		P6010001
20	Screw (BH top)	2	Steel		P6010010
21	Grease cup	2	Brass		P6010235
22	Bearing housing	2	Cast iron		P6010101
23	Bolt (bearing housing)	8	Steel		P6010008
24	Washer (bearing housing)	8	Steel		P6010027
25	Screw (vibration sensor)	6	Steel		P6010067
25A	Screw (temperature sensor)	4	Steel		P6010066
26	Lip seal	2	NBR		P6010061
27	Shoulder ring	1	Steel		P6010043
28	Seal gland	2	Cast iron		P6010099
29	Bolt (seal gland)	8	Steel		P6010007
30	Washer (seal gland)	8	Steel		P6010025
31	O-ring (seal gland)	2	FKM		P6010056
32	O-ring (stuffing box)	4	FKM		P6010220
33	Stuffing box	2	Cast iron		P6010907
34	Pin (seal body)	2	Steel		P6010036
35	Mechanical seal*	2			
36	Shoulder ring (MS)	1	SS 304		P6010047
37	Circlip (snap ring)	1	Steel		P6010037
38	Casing wear ring	2	Bronze		P6010373
39	Pin (CWR)	2	Steel		P6010036
42	Impeller*	1			
43	Shaft*	1			
44	Impeller key	1	Steel		P6010074
45	Coupling key	1	Steel		P6010075
46	Bearing gland A (inboard)	1	Cast iron		P6010105
47	Plug ½" (lower casing)	10	Steel		P6010069
48	Casing*	1			

* Denotes catalog item with multiple material configurations. Refer to item-specific replacement part table.

e-HSC pump general parts listing

Catalog no.	Part description	Quantity	Material	e-HSC 8X10X17	e-HSC 8X10X16
				Part number	
1	Large casing bolt	4	Steel		P6010257
2	Large casing washer	4	Steel		P6010026
4	Paper pad (inlet)	1	Cardboard		P6011001
5	Paper pad (outlet)	1	Cardboard		P6011002
6	Casing washer	19	Steel		P6010026
7	Casing bolt	19	Steel		P6010017
8	Tapered pin nut	2	Steel		P6010012
9	Tapered pin	2	Steel		P6010030
10	Plug ½" (upper casing)	1	Steel		P6010069
11	Jacking screw	2	Steel		P6010002
12	Bolts (bearing gland)	8	Steel		P6010007
13	Washer (bearing gland)	8	Steel		P6010025
14	Plug (bearing gland)	2	Steel		P6010071
15A	Bearing gland gasket	2	Cardboard		P6010103
15	Bearing gland B (outboard)	1	Cast iron		P6010087
16	Locknut (bearing)	1	Steel		P6010040
17	Lockwasher (bearing)	1	Steel		P6010033
18	Deep groove ball bearing	2	Steel		P6010102
19	Jacking screw (BH)	4	Steel		P6010001
20	Screw (BH top)	2	Steel		P6010010
21	Grease cup	2	Brass		P6010235
22	Bearing housing	2	Cast iron		P6010101
23	Bolt (bearing housing)	8	Steel		P6010008
24	Washer (bearing housing)	8	Steel		P6010027
25	Screw (vibration sensor)	6	Steel		P6010067
25A	Screw (temperature sensor)	4	Steel		P6010066
26	Lip seal	2	NBR		P6010061
27	Shoulder ring	1	Steel		P6010043
28	Seal gland	2	Cast iron		P6010099
29	Bolt (seal gland)	8	Steel		P6010007
30	Washer (seal gland)	8	Steel		P6010025
31	O-ring (seal gland)	2	FKM		P6010056
32	O-ring (stuffing box)	4	FKM		P6010220
33	Stuffing box	2	Cast iron		P6010088
34	Pin (seal body)	2	Steel		P6010036
35	Mechanical seal*	2			
36	Shoulder ring (MS)	1	SS 304		P6010047
37	Circlip (snap ring)	1	Steel		P6010037
38	Casing wear ring	2	Bronze		P6010166
39	Pin (CWR)	2	Steel		P6010036
42	Impeller*	1			
43	Shaft*	1			
44	Impeller key	1	Steel		P6010074
45	Coupling key	1	Steel		P6010075
46	Bearing gland A (inboard)	1	Cast iron		P6010105
47	Plug ½" (lower casing)	10	Steel		P6010069
48	Casing*	1			

* Denotes catalog item with multiple material configurations. Refer to item-specific replacement part table.

e-HSC pump general parts listing

Catalog no.	Part description	Quantity	Material	e-HSC 8X10X21	e-HSC 8X10X20
				Part number	
1	Large casing bolt	4	Steel		P6010020
2	Large casing washer	4	Steel		P6010026
4	Paper pad (inlet)	1	Cardboard		P6012688
5	Paper pad (outlet)	1	Cardboard		P6012689
6	Casing washer	20	Steel		P6010026
7	Casing bolt	20	Steel		P6010019
8	Tapered pin nut	2	Steel		P6010013
9	Tapered pin	2	Steel		P6010222
10	Plug ½" (upper casing)	1	Steel		P6010069
11	Jacking screw	2	Steel		P6010003
12	Bolts (bearing gland)	8	Steel		P6010007
13	Washer (bearing gland)	8	Steel		P6010025
14	Plug (bearing gland)	2	Steel		P6010071
15A	Bearing gland gasket	2	Cardboard		P6010146
15	Bearing gland B (outboard)	1	Cast iron		P6010130
16	Locknut (bearing)	1	Steel		P6010041
17	Lockwasher (bearing)	1	Steel		P6010034
18	Deep groove ball bearing	2	Steel		P6010145
19	Jacking screw (BH)	4	Steel		P6010001
20	Screw (BH top)	2	Steel		P6010010
21	Grease cup	2	Brass		P6010235
22	Bearing housing	2	Cast iron		P6010144
23	Bolt (bearing housing)	8	Steel		P6010008
24	Washer (bearing housing)	8	Steel		P6010027
25	Screw (vibration sensor)	6	Steel		P6010067
25A	Screw (temperature sensor)	4	Steel		P6010066
26	Lip seal	2	NBR		P6010062
27	Shoulder ring	1	Steel		P6010045
28	Seal gland	2	Cast iron		P6010142
29	Bolt (seal gland)	8	Steel		P6010007
30	Washer (seal gland)	8	Steel		P6010025
31	O-ring (seal gland)	2	FKM		P6010058
32	O-ring (stuffing box)	4	FKM		P6010057
33	Stuffing box	2	Cast iron		P6010131
34	Pin (seal body)	2	Steel		P6010036
35	Mechanical seal*	2			
36	Shoulder ring (MS)	1	SS 304		P6010046
37	Circlip (snap ring)	1	Steel		P6010038
38	Casing wear ring	2	Bronze		P6010166
39	Pin (CWR)	2	Steel		P6010036
42	Impeller*	1			
43	Shaft*	1			
44	Impeller key	1	Steel		P6010905
45	Coupling key	1	Steel		P6010074
46	Bearing gland A (inboard)	1	Cast iron		P6010148
47	Plug ½" (lower casing)	10	Steel		P6010069
48	Casing*	1			

* Denotes catalog item with multiple material configurations. Refer to item-specific replacement part table.

e-HSC pump general parts listing

Catalog no.	Part description	Quantity	Material	e-HSC 8X10X26	e-HSC 8X10X25
				Part number	
1	Large casing bolt	4	Steel		P6010024
2	Large casing washer	4	Steel		P6010029
4	Paper pad (inlet)	1	Cardboard		P6013146
5	Paper pad (outlet)	1	Cardboard		P6013147
6	Casing washer	20	Steel		P6010029
7	Casing bolt	20	Steel		P6010023
8	Tapered pin nut	2	Steel		P6010013
9	Tapered pin	2	Steel		P6010031
10	Plug ½" (upper casing)	1	Steel		P6010069
11	Jacking screw	2	Steel		P6010004
12	Bolts (bearing gland)	8	Steel		P6010007
13	Washer (bearing gland)	8	Steel		P6010025
14	Plug (bearing gland)	2	Steel		P6010071
15A	Bearing gland gasket	2	Cardboard		P6010906
15	Bearing gland B (outboard)	1	Cast iron		P6010893
16	Locknut (bearing)	1	Steel		P6010894
17	Lockwasher (bearing)	1	Steel		P6010895
18	Deep groove ball bearing	2	Steel		P6010879
19	Jacking screw (BH)	4	Steel		P6010001
20	Screw (BH top)	2	Steel		P6010010
21	Grease cup	2	Brass		P6010235
22	Bearing housing	2	Cast iron		P6010889
23	Bolt (bearing housing)	8	Steel		P6010008
24	Washer (bearing housing)	8	Steel		P6010027
25	Screw (vibration sensor)	6	Steel		P6010067
25A	Screw (temperature sensor)	4	Steel		P6010066
26	Lip seal	2	NBR		P6010904
27	Shoulder ring	1	Steel		P6010896
28	Seal gland	2	Cast iron		P6010887
29	Bolt (seal gland)	8	Steel		P6010007
30	Washer (seal gland)	8	Steel		P6010025
31	O-ring (seal gland)	2	FKM		P6010902
32	O-ring (stuffing box)	4	FKM		P6010897
33	Stuffing box	2	Cast iron		P6010886
34	Pin (seal body)	2	Steel		P6010036
35	Mechanical seal*	2			
36	Shoulder ring (MS)	1	SS 304		P6010899
37	Circlip (snap ring)	1	Steel		P6010900
38	Casing wear ring	2	Bronze		P6010122
39	Pin (CWR)	2	Steel		P6010036
42	Impeller*	1			
43	Shaft*	1			
44	Impeller key	1	Steel		P6010901
45	Coupling key	1	Steel		P6010905
46	Bearing gland A (inboard)	1	Cast iron		P6010891
47	Plug ½" (lower casing)	10	Steel		P6010069
48	Casing*	1			

* Denotes catalog item with multiple material configurations. Refer to item-specific replacement part table.

e-HSC pump general parts listing

Catalog no.	Part description	Quantity	Material	e-HSC 10X10X8	e-HSC 10X10X7.5
				Part number	
1	Large casing bolt	4	Steel		P6010257
2	Large casing washer	4	Steel		P6010026
4	Paper pad (inlet)	1	Cardboard		P6013344
5	Paper pad (outlet)	1	Cardboard		P6013345
6	Casing washer	15	Steel		P6010026
7	Casing bolt	15	Steel		P6010017
8	Tapered pin nut	2	Steel		P6010012
9	Tapered pin	2	Steel		P6010030
10	Plug ½" (upper casing)	1	Steel		P6010069
11	Jacking screw	2	Steel		P6010002
12	Bolts (bearing gland)	8	Steel		P6010240
13	Washer (bearing gland)	8	Steel		P6010239
14	Plug (bearing gland)	2	Steel		P6010066
15A	Bearing gland gasket	2	Cardboard		P6010990
15	Bearing gland B (outboard)	1	Cast iron		P6010909
16	Locknut (bearing)	1	Steel		P6010980
17	Lockwasher (bearing)	1	Steel		P6010981
18	Deep groove ball bearing	2	Steel		P6010989
19	Jacking screw (BH)	4	Steel		P6010265
20	Screw (BH top)	2	Steel		P6010010
21	Grease cup	2	Brass		P6010235
22	Bearing housing	2	Cast iron		P6010973
23	Bolt (bearing housing)	8	Steel		P6010009
24	Washer (bearing housing)	8	Steel		P6010025
25	Screw (vibration sensor)	6	Steel		P6010067
25A	Screw (temperature sensor)	4	Steel		P6010066
26	Lip seal	2	NBR		P6010988
27	Shoulder ring	1	Steel		P6010982
28	Seal gland	2	Cast iron		P6010971
29	Bolt (seal gland)	8	Steel		P6010240
30	Washer (seal gland)	8	Steel		P6010239
31	O-ring (seal gland)	2	FKM		P6010987
32	O-ring (stuffing box)	4	FKM		P6010983
33	Stuffing box	2	Cast iron		P6013513
34	Pin (seal body)	2	Steel		P6010226
35	Mechanical seal*	2			
36	Shoulder ring (MS)	1	SS 304		P6010984
37	Circlip (snap ring)	1	Steel		P6010985
38	Casing wear ring	2	Bronze		P6010371
39	Pin (CWR)	2	Steel		P6010226
42	Impeller*	1			
43	Shaft*	1			
44	Impeller key	1	Steel		P6013518
45	Coupling key	1	Steel		P6010991
46	Bearing gland A (inboard)	1	Cast iron		P6010911
47	Plug ½" (lower casing)	10	Steel		P6010069
48	Casing*	1			

* Denotes catalog item with multiple material configurations. Refer to item-specific replacement part table.

e-HSC pump general parts listing

Catalog no.	Part description	Quantity	Material	e-HSC 10X12X15.5	e-HSC 10X12X14.5
				Part number	
1	Large casing bolt	4	Steel		P6010257
2	Large casing washer	4	Steel		P6010026
4	Paper pad (inlet)	1	Cardboard		P6010081
5	Paper pad (outlet)	1	Cardboard		P6010998
6	Casing washer	17	Steel		P6010026
7	Casing bolt	17	Steel		P6010017
8	Tapered pin nut	2	Steel		P6010012
9	Tapered pin	2	Steel		P6010030
10	Plug ½" (upper casing)	1	Steel		P6010069
11	Jacking screw	2	Steel		P6010002
12	Bolts (bearing gland)	8	Steel		P6010007
13	Washer (bearing gland)	8	Steel		P6010025
14	Plug (bearing gland)	2	Steel		P6010071
15A	Bearing gland gasket	2	Cardboard		P6010146
15	Bearing gland B (outboard)	1	Cast iron		P6010130
16	Locknut (bearing)	1	Steel		P6010041
17	Lockwasher (bearing)	1	Steel		P6010034
18	Deep groove ball bearing	2	Steel		P6010145
19	Jacking screw (BH)	4	Steel		P6010001
20	Screw (BH top)	2	Steel		P6010010
21	Grease cup	2	Brass		P6010235
22	Bearing housing	2	Cast iron		P6010144
23	Bolt (bearing housing)	8	Steel		P6010008
24	Washer (bearing housing)	8	Steel		P6010027
25	Screw (vibration sensor)	6	Steel		P6010067
25A	Screw (temperature sensor)	4	Steel		P6010066
26	Lip seal	2	NBR		P6010062
27	Shoulder ring	1	Steel		P6010045
28	Seal gland	2	Cast iron		P6010142
29	Bolt (seal gland)	8	Steel		P6010007
30	Washer (seal gland)	8	Steel		P6010025
31	O-ring (seal gland)	2	FKM		P6010058
32	O-ring (stuffing box)	4	FKM		P6010057
33	Stuffing box	2	Cast iron		P6010131
34	Pin (seal body)	2	Steel		P6010036
35	Mechanical seal*	2			
36	Shoulder ring (MS)	1	SS 304		P6010046
37	Circlip (snap ring)	1	Steel		P6010038
38	Casing wear ring	2	Bronze		P6010106
39	Pin (CWR)	2	Steel		P6010036
42	Impeller*	1			
43	Shaft*	1			
44	Impeller key	1	Steel		P6010076
45	Coupling key	1	Steel		P6010074
46	Bearing gland A (inboard)	1	Cast iron		P6010148
47	Plug ½" (lower casing)	10	Steel		P6010069
48	Casing*	1			

* Denotes catalog item with multiple material configurations. Refer to item-specific replacement part table.

e-HSC pump general parts listing

Catalog no.	Part description	Quantity	Material	e-HSC 10X12X19	e-HSC 10X12X18
				Part number	
1	Large casing bolt	4	Steel		P6010020
2	Large casing washer	4	Steel		P6010026
4	Paper pad (inlet)	1	Cardboard		P6011345
5	Paper pad (outlet)	1	Cardboard		P6011346
6	Casing washer	21	Steel		P6010026
7	Casing bolt	21	Steel		P6010019
8	Tapered pin nut	2	Steel		P6010013
9	Tapered pin	2	Steel		P6010222
10	Plug ½" (upper casing)	1	Steel		P6010069
11	Jacking screw	2	Steel		P6010003
12	Bolts (bearing gland)	8	Steel		P6010007
13	Washer (bearing gland)	8	Steel		P6010025
14	Plug (bearing gland)	2	Steel		P6010071
15A	Bearing gland gasket	2	Cardboard		P6010146
15	Bearing gland B (outboard)	1	Cast iron		P6010130
16	Locknut (bearing)	1	Steel		P6010041
17	Lockwasher (bearing)	1	Steel		P6010034
18	Deep groove ball bearing	2	Steel		P6010145
19	Jacking screw (BH)	4	Steel		P6010001
20	Screw (BH top)	2	Steel		P6010010
21	Grease cup	2	Brass		P6010235
22	Bearing housing	2	Cast iron		P6010144
23	Bolt (bearing housing)	8	Steel		P6010008
24	Washer (bearing housing)	8	Steel		P6010027
25	Screw (vibration sensor)	6	Steel		P6010067
25A	Screw (temperature sensor)	4	Steel		P6010066
26	Lip seal	2	NBR		P6010062
27	Shoulder ring	1	Steel		P6010045
28	Seal gland	2	Cast iron		P6010142
29	Bolt (seal gland)	8	Steel		P6010007
30	Washer (seal gland)	8	Steel		P6010025
31	O-ring (seal gland)	2	FKM		P6010058
32	O-ring (stuffing box)	4	FKM		P6010057
33	Stuffing box	2	Cast iron		P6010131
34	Pin (seal body)	2	Steel		P6010036
35	Mechanical seal*	2			
36	Shoulder ring (MS)	1	SS 304		P6010046
37	Circlip (snap ring)	1	Steel		P6010038
38	Casing wear ring	2	Bronze		P6010106
39	Pin (CWR)	2	Steel		P6010036
42	Impeller*	1			
43	Shaft*	1			
44	Impeller key	1	Steel		P6010076
45	Coupling key	1	Steel		P6010074
46	Bearing gland A (inboard)	1	Cast iron		P6010148
47	Plug ½" (lower casing)	10	Steel		P6010069
48	Casing*	1			

* Denotes catalog item with multiple material configurations. Refer to item-specific replacement part table.

e-HSC pump general parts listing

Catalog no.	Part description	Quantity	Material	e-HSC 10X12X24	e-HSC 10X12X23
				Part number	
1	Large casing bolt	4	Steel		P6010024
2	Large casing washer	4	Steel		P6010029
4	Paper pad (inlet)	1	Cardboard		P6011194
5	Paper pad (outlet)	1	Cardboard		P6011195
6	Casing washer	20	Steel		P6010029
7	Casing bolt	20	Steel		P6010023
8	Tapered pin nut	2	Steel		P6010013
9	Tapered pin	2	Steel		P6010031
10	Plug ½" (upper casing)	1	Steel		P6010069
11	Jacking screw	2	Steel		P6010004
12	Bolts (bearing gland)	8	Steel		P6010007
13	Washer (bearing gland)	8	Steel		P6010025
14	Plug (bearing gland)	2	Steel		P6010071
15A	Bearing gland gasket	2	Cardboard		P6010204
15	Bearing gland B (outboard)	1	Cast iron		P6010192
16	Locknut (bearing)	1	Steel		P6010042
17	Lockwasher (bearing)	1	Steel		P6010035
18	Deep groove ball bearing	2	Steel		P6010203
19	Jacking screw (BH)	4	Steel		P6010001
20	Screw (BH top)	2	Steel		P6010010
21	Grease cup	2	Brass		P6010235
22	Bearing housing	2	Cast iron		P6010202
23	Bolt (bearing housing)	8	Steel		P6010008
24	Washer (bearing housing)	8	Steel		P6010027
25	Screw (vibration sensor)	6	Steel		P6010067
25A	Screw (temperature sensor)	4	Steel		P6010066
26	Lip seal	2	NBR		P6010063
27	Shoulder ring	1	Steel		P6010048
28	Seal gland	2	Cast iron		P6010200
29	Bolt (seal gland)	8	Steel		P6010009
30	Washer (seal gland)	8	Steel		P6010025
31	O-ring (seal gland)	2	FKM		P6010060
32	O-ring (stuffing box)	4	FKM		P6010059
33	Stuffing box	2	Cast iron		P6011067
34	Pin (seal body)	2	Steel		P6010036
35	Mechanical seal*	2			
36	Shoulder ring (MS)	1	SS 304		P6010049
37	Circlip (snap ring)	1	Steel		P6010039
38	Casing wear ring	2	Bronze		P6011206
39	Pin (CWR)	2	Steel		P6010036
42	Impeller*	1			
43	Shaft*	1			
44	Impeller key	1	Steel		P6010078
45	Coupling key	1	Steel		P6010079
46	Bearing gland A (inboard)	1	Cast iron		P6010206
47	Plug ½" (lower casing)	10	Steel		P6010069
48	Casing*	1			

* Denotes catalog item with multiple material configurations. Refer to item-specific replacement part table.

e-HSC pump general parts listing

Catalog no.	Part description	Quantity	Material	e-HSC 12X12X9	e-HSC 12X12X8.5
				Part number	
1	Large casing bolt	4	Steel		P6010257
2	Large casing washer	4	Steel		P6010026
4	Paper pad (inlet)	1	Cardboard		P6013342
5	Paper pad (outlet)	1	Cardboard		P6013343
6	Casing washer	18	Steel		P6010026
7	Casing bolt	18	Steel		P6010017
8	Tapered pin nut	2	Steel		P6010012
9	Tapered pin	2	Steel		P6010030
10	Plug ½" (upper casing)	1	Steel		P6010069
11	Jacking screw	2	Steel		P6010002
12	Bolts (bearing gland)	8	Steel		P6010240
13	Washer (bearing gland)	8	Steel		P6010239
14	Plug (bearing gland)	2	Steel		P6010066
15A	Bearing gland gasket	2	Cardboard		P6010253
15	Bearing gland B (outboard)	1	Cast iron		P6010267
16	Locknut (bearing)	1	Steel		P6010237
17	Lockwasher (bearing)	1	Steel		P6010238
18	Deep groove ball bearing	2	Steel		P6010252
19	Jacking screw (BH)	4	Steel		P6010236
20	Screw (BH top)	2	Steel		P6010010
21	Grease cup	2	Brass		P6010235
22	Bearing housing	2	Cast iron		P6010367
23	Bolt (bearing housing)	8	Steel		P6010009
24	Washer (bearing housing)	8	Steel		P6010025
25	Screw (vibration sensor)	6	Steel		P6010067
25A	Screw (temperature sensor)	4	Steel		P6010066
26	Lip seal	2	NBR		P6010251
27	Shoulder ring	1	Steel		P6010241
28	Seal gland	2	Cast iron		P6010365
29	Bolt (seal gland)	8	Steel		P6010240
30	Washer (seal gland)	8	Steel		P6010239
31	O-ring (seal gland)	2	FKM		P6010244
32	O-ring (stuffing box)	4	FKM		P6010243
33	Stuffing box	2	Cast iron		P6010270
34	Pin (seal body)	2	Steel		P6010226
35	Mechanical seal*	2			
36	Shoulder ring (MS)	1	SS 304		P6010242
37	Circlip (snap ring)	1	Steel		P6010245
38	Casing wear ring	2	Bronze		P6012638
39	Pin (CWR)	2	Steel		P6010226
42	Impeller*	1			
43	Shaft*	1			
44	Impeller key	1	Steel		P6011326
45	Coupling key	1	Steel		P6010247
46	Bearing gland A (inboard)	1	Cast iron		P6010369
47	Plug ½" (lower casing)	10	Steel		P6010069
48	Casing*	1			

* Denotes catalog item with multiple material configurations. Refer to item-specific replacement part table.

e-HSC pump general parts listing

Catalog no.	Part description	Quantity	Material	e-HSC 12X12X10	e-HSC 12X12X9.5
				Part number	
1	Large casing bolt	4	Steel		P6010257
2	Large casing washer	4	Steel		P6010026
4	Paper pad (inlet)	1	Cardboard		P6010782
5	Paper pad (outlet)	1	Cardboard		P6011011
6	Casing washer	17	Steel		P6010026
7	Casing bolt	17	Steel		P6010019
8	Tapered pin nut	2	Steel		P6010013
9	Tapered pin	2	Steel		P6010222
10	Plug ½" (upper casing)	1	Steel		P6010069
11	Jacking screw	2	Steel		P6010003
12	Bolts (bearing gland)	8	Steel		P6010240
13	Washer (bearing gland)	8	Steel		P6010239
14	Plug (bearing gland)	2	Steel		P6010066
15A	Bearing gland gasket	2	Cardboard		P6010253
15	Bearing gland B (outboard)	1	Cast iron		P6010267
16	Locknut (bearing)	1	Steel		P6010237
17	Lockwasher (bearing)	1	Steel		P6010238
18	Deep groove ball bearing	2	Steel		P6010252
19	Jacking screw (BH)	4	Steel		P6010265
20	Screw (BH top)	2	Steel		P6010010
21	Grease cup	2	Brass		P6010235
22	Bearing housing	2	Cast iron		P6010367
23	Bolt (bearing housing)	8	Steel		P6010009
24	Washer (bearing housing)	8	Steel		P6010025
25	Screw (vibration sensor)	6	Steel		P6010067
25A	Screw (temperature sensor)	4	Steel		P6010066
26	Lip seal	2	NBR		P6010251
27	Shoulder ring	1	Steel		P6010241
28	Seal gland	2	Cast iron		P6010365
29	Bolt (seal gland)	8	Steel		P6010240
30	Washer (seal gland)	8	Steel		P6010239
31	O-ring (seal gland)	2	FKM		P6010244
32	O-ring (stuffing box)	4	FKM		P6010243
33	Stuffing box	2	Cast iron		P6010270
34	Pin (seal body)	2	Steel		P6010226
35	Mechanical seal*	2			
36	Shoulder ring (MS)	1	SS 304		P6010242
37	Circlip (snap ring)	1	Steel		P6010245
38	Casing wear ring	2	Bronze		P6010374
39	Pin (CWR)	2	Steel		P6010226
42	Impeller*	1			
43	Shaft*	1			
44	Impeller key	1	Steel		P6011326
45	Coupling key	1	Steel		P6010247
46	Bearing gland A (inboard)	1	Cast iron		P6010369
47	Plug ½" (lower casing)	10	Steel		P6010069
48	Casing*	1			

* Denotes catalog item with multiple material configurations. Refer to item-specific replacement part table.

e-HSC pump general parts listing

Catalog no.	Part description	Quantity	Material	e-HSC 12X14X13	e-HSC 12X14X12.5
				Part number	
1	Large casing bolt	4	Steel		P6010020
2	Large casing washer	4	Steel		P6010026
4	Paper pad (inlet)	1	Cardboard		P6010221
5	Paper pad (outlet)	1	Cardboard		P6010999
6	Casing washer	19	Steel		P6010026
7	Casing bolt	19	Steel		P6010019
8	Tapered pin nut	2	Steel		P6010013
9	Tapered pin	2	Steel		P6010222
10	Plug ½" (upper casing)	1	Steel		P6010069
11	Jacking screw	2	Steel		P6010003
12	Bolts (bearing gland)	8	Steel		P6010007
13	Washer (bearing gland)	8	Steel		P6010025
14	Plug (bearing gland)	2	Steel		P6010071
15A	Bearing gland gasket	2	Cardboard		P6010146
15	Bearing gland B (outboard)	1	Cast iron		P6010130
16	Locknut (bearing)	1	Steel		P6010041
17	Lockwasher (bearing)	1	Steel		P6010034
18	Deep groove ball bearing	2	Steel		P6010145
19	Jacking screw (BH)	4	Steel		P6010001
20	Screw (BH top)	2	Steel		P6010010
21	Grease cup	2	Brass		P6010235
22	Bearing housing	2	Cast iron		P6010144
23	Bolt (bearing housing)	8	Steel		P6010008
24	Washer (bearing housing)	8	Steel		P6010027
25	Screw (vibration sensor)	6	Steel		P6010067
25A	Screw (temperature sensor)	4	Steel		P6010066
26	Lip seal	2	NBR		P6010062
27	Shoulder ring	1	Steel		P6010045
28	Seal gland	2	Cast iron		P6010142
29	Bolt (seal gland)	8	Steel		P6010007
30	Washer (seal gland)	8	Steel		P6010025
31	O-ring (seal gland)	2	FKM		P6010058
32	O-ring (stuffing box)	4	FKM		P6010057
33	Stuffing box	2	Cast iron		P6010131
34	Pin (seal body)	2	Steel		P6010036
35	Mechanical seal*	2			
36	Shoulder ring (MS)	1	SS 304		P6010046
37	Circlip (snap ring)	1	Steel		P6010038
38	Casing wear ring	2	Bronze		P6010122
39	Pin (CWR)	2	Steel		P6010036
42	Impeller*	1			
43	Shaft*	1			
44	Impeller key	1	Steel		P6010076
45	Coupling key	1	Steel		P6010074
46	Bearing gland A (inboard)	1	Cast iron		P6010148
47	Plug ½" (lower casing)	10	Steel		P6010069
48	Casing*	1			

* Denotes catalog item with multiple material configurations. Refer to item-specific replacement part table.

e-HSC pump general parts listing

Catalog no.	Part description	Quantity	Material	e-HSC 12X16X18	e-HSC 12X16X17
				Part number	
1	Large casing bolt	4	Steel		P6010020
2	Large casing washer	4	Steel		P6010026
4	Paper pad (inlet)	1	Cardboard		P6011347
5	Paper pad (outlet)	1	Cardboard		P6011348
6	Casing washer	20	Steel		P6010026
7	Casing bolt	20	Steel		P6010019
8	Tapered pin nut	2	Steel		P6010013
9	Tapered pin	2	Steel		P6010222
10	Plug ½" (upper casing)	1	Steel		P6010069
11	Jacking screw	2	Steel		P6010003
12	Bolts (bearing gland)	8	Steel		P6010007
13	Washer (bearing gland)	8	Steel		P6010025
14	Plug (bearing gland)	2	Steel		P6010071
15A	Bearing gland gasket	2	Cardboard		P6010906
15	Bearing gland B (outboard)	1	Cast iron		P6010893
16	Locknut (bearing)	1	Steel		P6010894
17	Lockwasher (bearing)	1	Steel		P6010895
18	Deep groove ball bearing	2	Steel		P6010879
19	Jacking screw (BH)	4	Steel		P6010001
20	Screw (BH top)	2	Steel		P6010010
21	Grease cup	2	Brass		P6010235
22	Bearing housing	2	Cast iron		P6010889
23	Bolt (bearing housing)	8	Steel		P6010008
24	Washer (bearing housing)	8	Steel		P6010027
25	Screw (vibration sensor)	6	Steel		P6010067
25A	Screw (temperature sensor)	4	Steel		P6010066
26	Lip seal	2	NBR		P6010904
27	Shoulder ring	1	Steel		P6010896
28	Seal gland	2	Cast iron		P6010887
29	Bolt (seal gland)	8	Steel		P6010007
30	Washer (seal gland)	8	Steel		P6010025
31	O-ring (seal gland)	2	FKM		P6010902
32	O-ring (stuffing box)	4	FKM		P6010897
33	Stuffing box	2	Cast iron		P6010886
34	Pin (seal body)	2	Steel		P6010036
35	Mechanical seal*	2			
36	Shoulder ring (MS)	1	SS 304		P6010899
37	Circlip (snap ring)	1	Steel		P6010900
38	Casing wear ring	2	Bronze		P6011472
39	Pin (CWR)	2	Steel		P6010036
42	Impeller*	1			
43	Shaft*	1			
44	Impeller key	1	Steel		P6010901
45	Coupling key	1	Steel		P6010905
46	Bearing gland A (inboard)	1	Cast iron		P6010891
47	Plug ½" (lower casing)	10	Steel		P6010069
48	Casing*	1			

* Denotes catalog item with multiple material configurations. Refer to item-specific replacement part table.

e-HSC pump general parts listing

Catalog no.	Part description	Quantity	Material	e-HSC 12X16X22	e-HSC 12X16X21
				Part number	
1	Large casing bolt	4	Steel		P6010024
2	Large casing washer	4	Steel		P6010029
4	Paper pad (inlet)	1	Cardboard		P6010083
5	Paper pad (outlet)	1	Cardboard		P6011004
6	Casing washer	21	Steel		P6010029
7	Casing bolt	21	Steel		P6010023
8	Tapered pin nut	2	Steel		P6010013
9	Tapered pin	2	Steel		P6010031
10	Plug ½" (upper casing)	1	Steel		P6010069
11	Jacking screw	2	Steel		P6010004
12	Bolts (bearing gland)	8	Steel		P6010007
13	Washer (bearing gland)	8	Steel		P6010025
14	Plug (bearing gland)	2	Steel		P6010071
15A	Bearing gland gasket	2	Cardboard		P6010204
15	Bearing gland B (outboard)	1	Cast iron		P6010192
16	Locknut (bearing)	1	Steel		P6010042
17	Lockwasher (bearing)	1	Steel		P6010035
18	Deep groove ball bearing	2	Steel		P6010203
19	Jacking screw (BH)	4	Steel		P6010001
20	Screw (BH top)	2	Steel		P6010010
21	Grease cup	2	Brass		P6010235
22	Bearing housing	2	Cast iron		P6010202
23	Bolt (bearing housing)	8	Steel		P6010008
24	Washer (bearing housing)	8	Steel		P6010027
25	Screw (vibration sensor)	6	Steel		P6010067
25A	Screw (temperature sensor)	4	Steel		P6010066
26	Lip seal	2	NBR		P6010063
27	Shoulder ring	1	Steel		P6010048
28	Seal gland	2	Cast iron		P6010200
29	Bolt (seal gland)	8	Steel		P6010009
30	Washer (seal gland)	8	Steel		P6010025
31	O-ring (seal gland)	2	FKM		P6010060
32	O-ring (stuffing box)	4	FKM		P6010059
33	Stuffing box	2	Cast iron		P6010193
34	Pin (seal body)	2	Steel		P6010036
35	Mechanical seal*	2			
36	Shoulder ring (MS)	1	SS 304		P6010049
37	Circlip (snap ring)	1	Steel		P6010039
38	Casing wear ring	2	Bronze		P6010207
39	Pin (CWR)	2	Steel		P6010036
42	Impeller*	1			
43	Shaft*	1			
44	Impeller key	1	Steel		P6010078
45	Coupling key	1	Steel		P6010079
46	Bearing gland A (inboard)	1	Cast iron		P6010206
47	Plug ½" (lower casing)	10	Steel		P6010069
48	Casing*	1			

* Denotes catalog item with multiple material configurations. Refer to item-specific replacement part table.

e-HSC pump general parts listing

Catalog no.	Part description	Quantity	Material	e-HSC 12X16X28	e-HSC 12X16X27
				Part number	
1	Large casing bolt	4	Steel		P6010022
2	Large casing washer	4	Steel		P6010028
4	Paper pad (inlet)	1	Cardboard		P6011202
5	Paper pad (outlet)	1	Cardboard		P6011203
6	Casing washer	20	Steel		P6010028
7	Casing bolt	20	Steel		P6010021
8	Tapered pin nut	2	Steel		P6010013
9	Tapered pin	2	Steel		P6011239
10	Plug ½" (upper casing)	1	Steel		P6010069
11	Jacking screw	2	Steel		P6011224
12	Bolts (bearing gland)	8	Steel		P6010007
13	Washer (bearing gland)	8	Steel		P6010025
14	Plug (bearing gland)	2	Steel		P6010071
15A	Bearing gland gasket	2	Cardboard		P6011236
15	Bearing gland B (outboard)	1	Cast iron		P6011219
16	Locknut (bearing)	1	Steel		P6011226
17	Lockwasher (bearing)	1	Steel		P6011227
18	Deep groove ball bearing	2	Steel		P6011235
19	Jacking screw (BH)	4	Steel		P6011225
20	Screw (BH top)	2	Steel		P6010010
21	Grease cup	2	Brass		P6010235
22	Bearing housing	2	Cast iron		P6011242
23	Bolt (bearing housing)	8	Steel		P6010008
24	Washer (bearing housing)	8	Steel		P6010027
25	Screw (vibration sensor)	6	Steel		P6010067
25A	Screw (temperature sensor)	4	Steel		P6010066
26	Lip seal	2	NBR		P6011234
27	Shoulder ring	1	Steel		P6011228
28	Seal gland	2	Cast iron		P6011240
29	Bolt (seal gland)	8	Steel		P6010009
30	Washer (seal gland)	8	Steel		P6010025
31	O-ring (seal gland)	2	FKM		P6011233
32	O-ring (stuffing box)	4	FKM		P6011229
33	Stuffing box	2	Cast iron		P6011069
34	Pin (seal body)	2	Steel		P6010036
35	Mechanical seal*	2			
36	Shoulder ring (MS)	1	SS 304		P6011230
37	Circlip (snap ring)	1	Steel		P6011231
38	Casing wear ring	2	Bronze		P6010184
39	Pin (CWR)	2	Steel		P6010036
42	Impeller*	1			
43	Shaft*	1			
44	Impeller key	1	Steel		P6011232
45	Coupling key	1	Steel		P6011237
46	Bearing gland A (inboard)	1	Cast iron		P6011221
47	Plug ½" (lower casing)	10	Steel		P6010069
48	Casing*	1			

* Denotes catalog item with multiple material configurations. Refer to item-specific replacement part table.

e-HSC pump general parts listing

Catalog no.	Part description	Quantity	Material	e-HSC 14X14X12	e-HSC 14X14X11
				Part number	
1	Large casing bolt	4	Steel		P6010257
2	Large casing washer	4	Steel		P6010026
4	Paper pad (inlet)	1	Cardboard		P6011341
5	Paper pad (outlet)	1	Cardboard		P6011342
6	Casing washer	21	Steel		P6010026
7	Casing bolt	21	Steel		P6010019
8	Tapered pin nut	2	Steel		P6010013
9	Tapered pin	2	Steel		P6010222
10	Plug ½" (upper casing)	1	Steel		P6010069
11	Jacking screw	2	Steel		P6010003
12	Bolts (bearing gland)	8	Steel		P6010240
13	Washer (bearing gland)	8	Steel		P6010239
14	Plug (bearing gland)	2	Steel		P6010066
15A	Bearing gland gasket	2	Cardboard		P6010253
15	Bearing gland B (outboard)	1	Cast iron		P6010267
16	Locknut (bearing)	1	Steel		P6010237
17	Lockwasher (bearing)	1	Steel		P6010238
18	Deep groove ball bearing	2	Steel		P6010252
19	Jacking screw (BH)	4	Steel		P6010236
20	Screw (BH top)	2	Steel		P6010010
21	Grease cup	2	Brass		P6010235
22	Bearing housing	2	Cast iron		P6010367
23	Bolt (bearing housing)	8	Steel		P6010009
24	Washer (bearing housing)	8	Steel		P6010025
25	Screw (vibration sensor)	6	Steel		P6010067
25A	Screw (temperature sensor)	4	Steel		P6010066
26	Lip seal	2	NBR		P6010251
27	Shoulder ring	1	Steel		P6010241
28	Seal gland	2	Cast iron		P6010365
29	Bolt (seal gland)	8	Steel		P6010240
30	Washer (seal gland)	8	Steel		P6010239
31	O-ring (seal gland)	2	FKM		P6010244
32	O-ring (stuffing box)	4	FKM		P6010243
33	Stuffing box	2	Cast iron		P6010270
34	Pin (seal body)	2	Steel		P6010226
35	Mechanical seal*	2			
36	Shoulder ring (MS)	1	SS 304		P6010242
37	Circlip (snap ring)	1	Steel		P6010245
38	Casing wear ring	2	Bronze		P6010166
39	Pin (CWR)	2	Steel		P6010036
42	Impeller*	1			
43	Shaft*	1			
44	Impeller key	1	Steel		P6011326
45	Coupling key	1	Steel		P6010247
46	Bearing gland A (inboard)	1	Cast iron		P6010369
47	Plug ½" (lower casing)	10	Steel		P6010069
48	Casing*	1			

* Denotes catalog item with multiple material configurations. Refer to item-specific replacement part table.

e-HSC pump general parts listing

Catalog no.	Part description	Quantity	Material	e-HSC 14X16X15	e-HSC 14X16X14.5
				Part number	
1	Large casing bolt	4	Steel		P6010020
2	Large casing washer	4	Steel		P6010026
4	Paper pad (inlet)	1	Cardboard		P6010149
5	Paper pad (outlet)	1	Cardboard		P6011000
6	Casing washer	24	Steel		P6010026
7	Casing bolt	24	Steel		P6010019
8	Tapered pin nut	2	Steel		P6010013
9	Tapered pin	2	Steel		P6010222
10	Plug ½" (upper casing)	1	Steel		P6010069
11	Jacking screw	2	Steel		P6010003
12	Bolts (bearing gland)	8	Steel		P6010007
13	Washer (bearing gland)	8	Steel		P6010025
14	Plug (bearing gland)	2	Steel		P6010071
15A	Bearing gland gasket	2	Cardboard		P6010906
15	Bearing gland B (outboard)	1	Cast iron		P6010893
16	Locknut (bearing)	1	Steel		P6010894
17	Lockwasher (bearing)	1	Steel		P6010895
18	Deep groove ball bearing	2	Steel		P6010879
19	Jacking screw (BH)	4	Steel		P6010001
20	Screw (BH top)	2	Steel		P6010010
21	Grease cup	2	Brass		P6010235
22	Bearing housing	2	Cast iron		P6010889
23	Bolt (bearing housing)	8	Steel		P6010008
24	Washer (bearing housing)	8	Steel		P6010027
25	Screw (vibration sensor)	6	Steel		P6010067
25A	Screw (temperature sensor)	4	Steel		P6010066
26	Lip seal	2	NBR		P6010904
27	Shoulder ring	1	Steel		P6010896
28	Seal gland	2	Cast iron		P6010887
29	Bolt (seal gland)	8	Steel		P6010007
30	Washer (seal gland)	8	Steel		P6010025
31	O-ring (seal gland)	2	FKM		P6010902
32	O-ring (stuffing box)	4	FKM		P6010897
33	Stuffing box	2	Cast iron		P6010886
34	Pin (seal body)	2	Steel		P6010036
35	Mechanical seal*	2			
36	Shoulder ring (MS)	1	SS 304		P6010899
37	Circlip (snap ring)	1	Steel		P6010900
38	Casing wear ring	2	Bronze		P6010150
39	Pin (CWR)	2	Steel		P6010036
42	Impeller*	1			
43	Shaft*	1			
44	Impeller key	1	Steel		P6010901
45	Coupling key	1	Steel		P6010905
46	Bearing gland A (inboard)	1	Cast iron		P6010891
47	Plug ½" (lower casing)	10	Steel		P6010069
48	Casing*	1			

* Denotes catalog item with multiple material configurations. Refer to item-specific replacement part table.

e-HSC pump general parts listing

Catalog no.	Part description	Quantity	Material	e-HSC 14X16X27.5	e-HSC 14X16X26
				Part number	
1	Large casing bolt	4	Steel		P6011364
2	Large casing washer	4	Steel		P6010028
4	Paper pad (inlet)	1	Cardboard		P6011349
5	Paper pad (outlet)	1	Cardboard		P6011350
6	Casing washer	21	Steel		P6010028
7	Casing bolt	21	Steel		P6011363
8	Tapered pin nut	2	Steel		P6010013
9	Tapered pin	2	Steel		P6011239
10	Plug ½" (upper casing)	1	Steel		P6010069
11	Jacking screw	2	Steel		P6011336
12	Bolts (bearing gland)	8	Steel		P6010007
13	Washer (bearing gland)	8	Steel		P6010025
14	Plug (bearing gland)	2	Steel		P6010071
15A	Bearing gland gasket	2	Cardboard		P6011339
15	Bearing gland B (outboard)	1	Cast iron		P6011366
16	Locknut (bearing)	1	Steel		P6011328
17	Lockwasher (bearing)	1	Steel		P6011329
18	Deep groove ball bearing	2	Steel		P6011338
19	Jacking screw (BH)	4	Steel		P6010001
20	Screw (BH top)	2	Steel		P6010010
21	Grease cup	2	Brass		P6010235
22	Bearing housing	2	Cast iron		P6011370
23	Bolt (bearing housing)	8	Steel		P6010008
24	Washer (bearing housing)	8	Steel		P6010027
25	Screw (vibration sensor)	6	Steel		P6010067
25A	Screw (temperature sensor)	4	Steel		P6010066
26	Lip seal	2	NBR		P6011335
27	Shoulder ring	1	Steel		P6011330
28	Seal gland	2	Cast iron		P6011371
29	Bolt (seal gland)	8	Steel		P6010009
30	Washer (seal gland)	8	Steel		P6010025
31	O-ring (seal gland)	2	FKM		P6011334
32	O-ring (stuffing box)	4	FKM		P6011331
33	Stuffing box	2	Cast iron		P6011362
34	Pin (seal body)	2	Steel		P6010036
35	Mechanical seal*	2			
36	Shoulder ring (MS)	1	SS 304		P6011332
37	Circlip (snap ring)	1	Steel		P6011333
38	Casing wear ring	2	Bronze		P6011207
39	Pin (CWR)	2	Steel		P6010036
42	Impeller*	1			
43	Shaft*	1			
44	Impeller key	1	Steel		P6011337
45	Coupling key	1	Steel		P6011232
46	Bearing gland A (inboard)	1	Cast iron		P6011368
47	Plug ½" (lower casing)	10	Steel		P6010069
48	Casing*	1			

* Denotes catalog item with multiple material configurations. Refer to item-specific replacement part table.

e-HSC pump general parts listing

Catalog no.	Part description	Quantity	Material	e-HSC 14X18X18	e-HSC 14X18X17
				Part number	
1	Large casing bolt	4	Steel		P6010024
2	Large casing washer	4	Steel		P6010029
4	Paper pad (inlet)	1	Cardboard		P6011196
5	Paper pad (outlet)	1	Cardboard		P6011197
6	Casing washer	26	Steel		P6010029
7	Casing bolt	26	Steel		P6010023
8	Tapered pin nut	2	Steel		P6010013
9	Tapered pin	2	Steel		P6010031
10	Plug ½" (upper casing)	1	Steel		P6010069
11	Jacking screw	2	Steel		P6010004
12	Bolts (bearing gland)	8	Steel		P6010007
13	Washer (bearing gland)	8	Steel		P6010025
14	Plug (bearing gland)	2	Steel		P6010071
15A	Bearing gland gasket	2	Cardboard		P6010204
15	Bearing gland B (outboard)	1	Cast iron		P6010192
16	Locknut (bearing)	1	Steel		P6010042
17	Lockwasher (bearing)	1	Steel		P6010035
18	Deep groove ball bearing	2	Steel		P6010203
19	Jacking screw (BH)	4	Steel		P6010001
20	Screw (BH top)	2	Steel		P6010010
21	Grease cup	2	Brass		P6010235
22	Bearing housing	2	Cast iron		P6010202
23	Bolt (bearing housing)	8	Steel		P6010008
24	Washer (bearing housing)	8	Steel		P6010027
25	Screw (vibration sensor)	6	Steel		P6010067
25A	Screw (temperature sensor)	4	Steel		P6010066
26	Lip seal	2	NBR		P6010063
27	Shoulder ring	1	Steel		P6010048
28	Seal gland	2	Cast iron		P6010200
29	Bolt (seal gland)	8	Steel		P6010009
30	Washer (seal gland)	8	Steel		P6010025
31	O-ring (seal gland)	2	FKM		P6010060
32	O-ring (stuffing box)	4	FKM		P6010059
33	Stuffing box	2	Cast iron		P6010193
34	Pin (seal body)	2	Steel		P6010036
35	Mechanical seal*	2			
36	Shoulder ring (MS)	1	SS 304		P6010049
37	Circlip (snap ring)	1	Steel		P6010039
38	Casing wear ring	2	Bronze		P6011207
39	Pin (CWR)	2	Steel		P6010036
42	Impeller*	1			
43	Shaft*	1			
44	Impeller key	1	Steel		P6010078
45	Coupling key	1	Steel		P6010079
46	Bearing gland A (inboard)	1	Cast iron		P6010206
47	Plug ½" (lower casing)	10	Steel		P6010069
48	Casing*	1			

* Denotes catalog item with multiple material configurations. Refer to item-specific replacement part table.

e-HSC pump general parts listing

Catalog no.	Part description	Quantity	Material	e-HSC 14X18X21	e-HSC 14X18X20
				Part number	
1	Large casing bolt	4	Steel		P6010024
2	Large casing washer	4	Steel		P6010029
4	Paper pad (inlet)	1	Cardboard		P6011198
5	Paper pad (outlet)	1	Cardboard		P6011199
6	Casing washer	19	Steel		P6010029
7	Casing bolt	19	Steel		P6010023
8	Tapered pin nut	2	Steel		P6010013
9	Tapered pin	2	Steel		P6010031
10	Plug ½" (upper casing)	1	Steel		P6010069
11	Jacking screw	2	Steel		P6010004
12	Bolts (bearing gland)	8	Steel		P6010007
13	Washer (bearing gland)	8	Steel		P6010025
14	Plug (bearing gland)	2	Steel		P6010071
15A	Bearing gland gasket	2	Cardboard		P6010204
15	Bearing gland B (outboard)	1	Cast iron		P6010192
16	Locknut (bearing)	1	Steel		P6010042
17	Lockwasher (bearing)	1	Steel		P6010035
18	Deep groove ball bearing	2	Steel		P6010203
19	Jacking screw (BH)	4	Steel		P6010001
20	Screw (BH top)	2	Steel		P6010010
21	Grease cup	2	Brass		P6010235
22	Bearing housing	2	Cast iron		P6010202
23	Bolt (bearing housing)	8	Steel		P6010008
24	Washer (bearing housing)	8	Steel		P6010027
25	Screw (vibration sensor)	6	Steel		P6010067
25A	Screw (temperature sensor)	4	Steel		P6010066
26	Lip seal	2	NBR		P6010063
27	Shoulder ring	1	Steel		P6010048
28	Seal gland	2	Cast iron		P6010200
29	Bolt (seal gland)	8	Steel		P6010009
30	Washer (seal gland)	8	Steel		P6010025
31	O-ring (seal gland)	2	FKM		P6010060
32	O-ring (stuffing box)	4	FKM		P6010059
33	Stuffing box	2	Cast iron		P6010193
34	Pin (seal body)	2	Steel		P6010036
35	Mechanical seal*	2			
36	Shoulder ring (MS)	1	SS 304		P6010049
37	Circlip (snap ring)	1	Steel		P6010039
38	Casing wear ring	2	Bronze		P6011208
39	Pin (CWR)	2	Steel		P6010036
42	Impeller*	1			
43	Shaft*	1			
44	Impeller key	1	Steel		P6010078
45	Coupling key	1	Steel		P6010079
46	Bearing gland A (inboard)	1	Cast iron		P6010206
47	Plug ½" (lower casing)	10	Steel		P6010069
48	Casing*	1			

* Denotes catalog item with multiple material configurations. Refer to item-specific replacement part table.

e-HSC pump general parts listing

Catalog no.	Part description	Quantity	Material	e-HSC 16X16X13.5	e-HSC 16X16X13
				Part number	
1	Large casing bolt	4	Steel		P6011012
2	Large casing washer	4	Steel		P6010029
4	Paper pad (inlet)	1	Cardboard		P6011343
5	Paper pad (outlet)	1	Cardboard		P6011344
6	Casing washer	23	Steel		P6010029
7	Casing bolt	23	Steel		P6010023
8	Tapered pin nut	2	Steel		P6010013
9	Tapered pin	2	Steel		P6010031
10	Plug ½" (upper casing)	1	Steel		P6010069
11	Jacking screw	2	Steel		P6010004
12	Bolts (bearing gland)	8	Steel		P6010007
13	Washer (bearing gland)	8	Steel		P6010025
14	Plug (bearing gland)	2	Steel		P6010071
15A	Bearing gland gasket	2	Cardboard		P6010103
15	Bearing gland B (outboard)	1	Cast iron		P6010087
16	Locknut (bearing)	1	Steel		P6010040
17	Lockwasher (bearing)	1	Steel		P6010033
18	Deep groove ball bearing	2	Steel		P6010102
19	Jacking screw (BH)	4	Steel		P6010001
20	Screw (BH top)	2	Steel		P6010010
21	Grease cup	2	Brass		P6010235
22	Bearing housing	2	Cast iron		P6010101
23	Bolt (bearing housing)	8	Steel		P6010008
24	Washer (bearing housing)	8	Steel		P6010027
25	Screw (vibration sensor)	6	Steel		P6010067
25A	Screw (temperature sensor)	4	Steel		P6010066
26	Lip seal	2	NBR		P6010061
27	Shoulder ring	1	Steel		P6010043
28	Seal gland	2	Cast iron		P6010099
29	Bolt (seal gland)	8	Steel		P6010007
30	Washer (seal gland)	8	Steel		P6010025
31	O-ring (seal gland)	2	FKM		P6010056
32	O-ring (stuffing box)	4	FKM		P6010220
33	Stuffing box	2	Cast iron		P6011361
34	Pin (seal body)	2	Steel		P6010036
35	Mechanical seal*	2			
36	Shoulder ring (MS)	1	SS 304		P6010047
37	Circlip (snap ring)	1	Steel		P6010037
38	Casing wear ring	2	Bronze		P6011206
39	Pin (CWR)	2	Steel		P6010036
42	Impeller*	1			
43	Shaft*	1			
44	Impeller key	1	Steel		P6011327
45	Coupling key	1	Steel		P6010075
46	Bearing gland A (inboard)	1	Cast iron		P6010105
47	Plug ½" (lower casing)	10	Steel		P6010069
48	Casing*	1			

* Denotes catalog item with multiple material configurations. Refer to item-specific replacement part table.

e-HSC pump general parts listing

Catalog no.	Part description	Quantity	Material	e-HSC 16X20X20.5	e-HSC 16X20X19.5
				Part number	
1	Large casing bolt	4	Steel		P6010022
2	Large casing washer	4	Steel		P6010028
4	Paper pad (inlet)	1	Cardboard		P6011204
5	Paper pad (outlet)	1	Cardboard		P6011205
6	Casing washer	18	Steel		P6010028
7	Casing bolt	18	Steel		P6010021
8	Tapered pin nut	2	Steel		P6010013
9	Tapered pin	2	Steel		P6011325
10	Plug ½" (upper casing)	1	Steel		P6010069
11	Jacking screw	2	Steel		P6011224
12	Bolts (bearing gland)	8	Steel		P6010007
13	Washer (bearing gland)	8	Steel		P6010025
14	Plug (bearing gland)	2	Steel		P6010071
15A	Bearing gland gasket	2	Cardboard		P6011236
15	Bearing gland B (outboard)	1	Cast iron		P6011219
16	Locknut (bearing)	1	Steel		P6011226
17	Lockwasher (bearing)	1	Steel		P6011227
18	Deep groove ball bearing	2	Steel		P6011235
19	Jacking screw (BH)	4	Steel		P6010001
20	Screw (BH top)	2	Steel		P6010010
21	Grease cup	2	Brass		P6010235
22	Bearing housing	2	Cast iron		P6011242
23	Bolt (bearing housing)	8	Steel		P6010008
24	Washer (bearing housing)	8	Steel		P6010027
25	Screw (vibration sensor)	6	Steel		P6010067
25A	Screw (temperature sensor)	4	Steel		P6010066
26	Lip seal	2	NBR		P6011234
27	Shoulder ring	1	Steel		P6011228
28	Seal gland	2	Cast iron		P6011240
29	Bolt (seal gland)	8	Steel		P6010009
30	Washer (seal gland)	8	Steel		P6010025
31	O-ring (seal gland)	2	FKM		P6011233
32	O-ring (stuffing box)	4	FKM		P6011229
33	Stuffing box	2	Cast iron		P6011069
34	Pin (seal body)	2	Steel		P6010036
35	Mechanical seal*	2			
36	Shoulder ring (MS)	1	SS 304		P6011230
37	Circlip (snap ring)	1	Steel		P6011231
38	Casing wear ring	2	Bronze		P6011208
39	Pin (CWR)	2	Steel		P6010036
42	Impeller*	1			
43	Shaft*	1			
44	Impeller key	1	Steel		P6011232
45	Coupling key	1	Steel		P6011237
46	Bearing gland A (inboard)	1	Cast iron		P6011221
47	Plug ½" (lower casing)	10	Steel		P6010069
48	Casing*	1			

* Denotes catalog item with multiple material configurations. Refer to item-specific replacement part table.

e-HSC pump general parts listing

Catalog no.	Part description	Quantity	Material	e-HSC 16X20X23	e-HSC 16X20X22
				Part number	
1	Large Casing Bolt	4	Steel		P6011364
2	Large Casing Washer	4	Steel		P6010028
4	Paper Pad (Inlet)	1	Cardboard		P6011351
5	Paper Pad (Outlet)	1	Cardboard		P6011352
6	Casing Washer	18	Steel		P6010028
7	Casing Bolt	18	Steel		P6010021
8	Tapered Pin Nut	2	Steel		P6010013
9	Tapered Pin	2	Steel		P6011239
10	Plug 1/2" (Upper Casing)	1	Steel		P6010069
11	Jacking Screw	2	Steel		P6011224
12	Bolts (Bearing Gland)	8	Steel		P6010007
13	Washer (Bearing Gland)	8	Steel		P6010025
14	Plug (Bearing Gland)	2	Steel		P6010071
15A	Bearing Gland Gasket	2	Cardboard		P6011339
15	Bearing Gland B (Outboard)	1	Cast Iron		P6011366
16	Locknut (Bearing)	1	Steel		P6011328
17	Lockwasher (Bearing)	1	Steel		P6011329
18	Deep Groove Ball Bearing	2	Steel		P6011338
19	Jacking Screw (BH)	4	Steel		P6010001
20	Screw (BH top)	2	Steel		P6010010
21	Grease Cup	2	Brass		P6010235
22	Bearing Housing	2	Cast Iron		P6011370
23	Bolt (Bearing Housing)	8	Steel		P6010008
24	Washer (Bearing Housing)	8	Steel		P6010027
25	Screw (Vibration sensor)	6	Steel		P6010067
25A	Screw (Temperature sensor)	4	Steel		P6010066
26	Lip Seal	2	NBR		P6011335
27	Shoulder Ring	1	Steel		P6011330
28	Seal Gland	2	Cast Iron		P6011371
29	Bolt (Seal Gland)	8	Steel		P6010009
30	Washer (Seal Gland)	8	Steel		P6010025
31	O-Ring (Seal Gland)	2	FKM		P6011334
32	O-Ring (Stuffing Box)	4	FKM		P6011331
33	Stuffing Box	2	Cast Iron		P6011362
34	Pin (Seal Body)	2	Steel		P6010036
35	Mechanical Seal*	2			
36	Shoulder Ring (MS)	1	SS 304		P6011332
37	Circlip (Snap Ring)	1	Steel		P6011333
38	Casing Wear Ring	2	Bronze		P6011473
39	Pin (CWR)	2	Steel		P6010036
42	Impeller*	1			
43	Shaft*	1			
44	Impeller Key	1	Steel		P6011337
45	Coupling Key	1	Steel		P6011232
46	Bearing Gland A (Inboard)	1	Cast Iron		P6011368
47	Plug 1/2" (Lower Casing)	10	Steel		P6010069
48	Casing*	1			

* Denotes catalog item with multiple material configurations. Refer to item-specific replacement part table.

e-HSC pump general parts listing

Catalog no.	Part description	Quantity	Material	e-HSC 18X20X15.5	e-HSC 18X20X14.5
				Part number	
1	Large casing bolt	4	Steel		P6011012
2	Large casing washer	4	Steel		P6010029
4	Paper pad (inlet)	1	Cardboard		P6010084
5	Paper pad (outlet)	1	Cardboard		P6011003
6	Casing washer	23	Steel		P6010029
7	Casing bolt	23	Steel		P6010023
8	Tapered pin nut	2	Steel		P6010013
9	Tapered pin	2	Steel		P6010031
10	Plug ½" (upper casing)	1	Steel		P6010069
11	Jacking screw	2	Steel		P6010004
12	Bolts (bearing gland)	8	Steel		P6010007
13	Washer (bearing gland)	8	Steel		P6010025
14	Plug (bearing gland)	2	Steel		P6010071
15A	Bearing gland gasket	2	Cardboard		P6010146
15	Bearing gland B (outboard)	1	Cast iron		P6010130
16	Locknut (bearing)	1	Steel		P6010041
17	Lockwasher (bearing)	1	Steel		P6010034
18	Deep groove ball bearing	2	Steel		P6010145
19	Jacking screw (BH)	4	Steel		P6010001
20	Screw (BH top)	2	Steel		P6010010
21	Grease cup	2	Brass		P6010235
22	Bearing housing	2	Cast iron		P6010144
23	Bolt (bearing housing)	8	Steel		P6010008
24	Washer (bearing housing)	8	Steel		P6010027
25	Screw (vibration sensor)	6	Steel		P6010067
25A	Screw (temperature sensor)	4	Steel		P6010066
26	Lip seal	2	NBR		P6010062
27	Shoulder ring	1	Steel		P6010045
28	Seal gland	2	Cast iron		P6010142
29	Bolt (seal gland)	8	Steel		P6010007
30	Washer (seal gland)	8	Steel		P6010025
31	O-ring (seal gland)	2	FKM		P6010058
32	O-ring (stuffing box)	4	FKM		P6010057
33	Stuffing box	2	Cast iron		P6010173
34	Pin (seal body)	2	Steel		P6010036
35	Mechanical seal*	2			
36	Shoulder ring (MS)	1	SS 304		P6010046
37	Circlip (snap ring)	1	Steel		P6010038
38	Casing wear ring	2	Bronze		P6010184
39	Pin (CWR)	2	Steel		P6010036
42	Impeller*	1			
43	Shaft*	1			
44	Impeller key	1	Steel		P6010224
45	Coupling key	1	Steel		P6010074
46	Bearing gland A (inboard)	1	Cast iron		P6010148
47	Plug ½" (lower casing)	10	Steel		P6010069
48	Casing*	1			

* Denotes catalog item with multiple material configurations. Refer to item-specific replacement part table.

e-HSC pump general parts listing

Catalog no.	Part description	Quantity	Material	e-HSC 20X24X18	e-HSC 20X24X17
				Part number	
1	Large casing bolt	4	Steel		P6010022
2	Large casing washer	4	Steel		P6010028
4	Paper pad (inlet)	1	Cardboard		P6011200
5	Paper pad (outlet)	1	Cardboard		P6011201
6	Casing washer	21	Steel		P6010028
7	Casing bolt	21	Steel		P6010021
8	Tapered pin nut	2	Steel		P6010013
9	Tapered pin	2	Steel		P6011239
10	Plug ½" (upper casing)	1	Steel		P6010069
11	Jacking screw	2	Steel		P6011224
12	Bolts (bearing gland)	8	Steel		P6010007
13	Washer (bearing gland)	8	Steel		P6010025
14	Plug (bearing gland)	2	Steel		P6010071
15A	Bearing gland gasket	2	Cardboard		P6010204
15	Bearing gland B (outboard)	1	Cast iron		P6010192
16	Locknut (bearing)	1	Steel		P6010042
17	Lockwasher (bearing)	1	Steel		P6010035
18	Deep groove ball bearing	2	Steel		P6010203
19	Jacking screw (BH)	4	Steel		P6010001
20	Screw (BH top)	2	Steel		P6010010
21	Grease cup	2	Brass		P6010235
22	Bearing housing	2	Cast iron		P6010202
23	Bolt (bearing housing)	8	Steel		P6010008
24	Washer (bearing housing)	8	Steel		P6010027
25	Screw (vibration sensor)	6	Steel		P6010067
25A	Screw (temperature sensor)	4	Steel		P6010066
26	Lip seal	2	NBR		P6010063
27	Shoulder ring	1	Steel		P6010048
28	Seal gland	2	Cast iron		P6010200
29	Bolt (seal gland)	8	Steel		P6010009
30	Washer (seal gland)	8	Steel		P6010025
31	O-ring (seal gland)	2	FKM		P6010060
32	O-ring (stuffing box)	4	FKM		P6010059
33	Stuffing box	2	Cast iron		P6011068
34	Pin (seal body)	2	Steel		P6010036
35	Mechanical seal*	2			
36	Shoulder ring (MS)	1	SS 304		P6010049
37	Circlip (snap ring)	1	Steel		P6010039
38	Casing wear ring	2	Bronze		P6011209
39	Pin (CWR)	2	Steel		P6010036
42	Impeller*	1			
43	Shaft*	1			
44	Impeller key	1	Steel		P6011222
45	Coupling key	1	Steel		P6010079
46	Bearing gland A (inboard)	1	Cast iron		P6010206
47	Plug ½" (lower casing)	10	Steel		P6010069
48	Casing*	1			

* Denotes catalog item with multiple material configurations. Refer to item-specific replacement part table.

e-HSC pump casing parts listings

Catalog no.	Model	Cast iron	Ductile iron
48	e-HSC 2.5X4X10.5	P6013488	P6013489
	e-HSC 2.5X4X10		
	e-HSC 3X4X12.5	P6013444	P6013445
	e-HSC 3X4X12		
	e-HSC 3X5X8.5	P6012732	P6012733
	e-HSC 3X5X8		
	e-HSC 3X5X11	P6011053	P6011054
	e-HSC 3X5X10.5		
	e-HSC 3X5X13.5	P6013448	P6013449
	e-HSC 3X5X13		
	e-HSC 4X6X10	P6012736	P6012737
	e-HSC 4X6X9.5		
	e-HSC 4X6X13	P6011033	P6011034
	e-HSC 4X6X12		
	e-HSC 4X6X16	P6013452	P6013453
	e-HSC 4X6X15.5		
	e-HSC 5X6X9	P6011057	P6011058
	e-HSC 5X6X8.5		
	e-HSC 5X8X9.5	P6011037	P6011038
	e-HSC 5X8X9		
	e-HSC 5X8X12	P6013456	P6013457
	e-HSC 5X8X11		
	e-HSC 5X8X15.5	P6012740	P6012741
	e-HSC 5X8X14.5		
	e-HSC 5X8X19	P6011041	P6011042
	e-HSC 5X8X18		
	e-HSC 6X8X6.5	P6013484	P6013485
	e-HSC 6X8X6		
	e-HSC 6X8X12	P6013462	P6013463
	e-HSC 6X8X11		
	e-HSC 6X8X14	P6011045	P6011046
	e-HSC 6X8X13.5		
	e-HSC 6X8X18	P6012744	P6012745
	e-HSC 6X8X17		
	e-HSC 6X8X22	N/A	P6012747
	e-HSC 6X8X21		
	e-HSC 6X10X11	N/A	P6013459
	e-HSC 6X10X10.5		
	e-HSC 8X8X8	P6013480	P6013481
	e-HSC 8X8X7.5		
	e-HSC 8X10X10	P6013466	P6013467
	e-HSC 8X10X9.5		
	e-HSC 8X10X13.5	P6011049	P6011050
	e-HSC 8X10X13		
	e-HSC 8X10X17	P6011015	P6011016
	e-HSC 8X10X16		

NOTE: Casing halves not sold separately

Catalog no.	Model	Cast iron	Ductile iron
48	e-HSC 8X10X21	N/A	P6012749
	e-HSC 8X10X20		
	e-HSC 8X10X26	N/A	P6013469
	e-HSC 8X10X25		
	e-HSC 10X10X8	P6013476	P6013477
	e-HSC 10X10X7.5		
	e-HSC 10X12X15.5	P6011019	P6011020
	e-HSC 10X12X14.5		
	e-HSC 10X12X19	P6011548	P6011549
	e-HSC 10X12X18		
	e-HSC 10X12X24	N/A	P6011294
	e-HSC 10X12X23		
	e-HSC 12X12X9	P6013472	P6013473
	e-HSC 12X12X8.5		
	e-HSC 12X12X10	P6011061	P6011062
	e-HSC 12X12X9.5		
	e-HSC 12X14X13	P6011023	P6011024
	e-HSC 12X14X12.5		
	e-HSC 12X16X18	P6011552	P6011553
	e-HSC 12X16X17		
	e-HSC 12X16X22	N/A	P6011026
	e-HSC 12X16X21		
	e-HSC 12X16X28	N/A	P6011308
	e-HSC 12X16X27		
	e-HSC 14X14X12	P6011540	P6011541
	e-HSC 14X14X11		
	e-HSC 14X16X15	P6011029	P6011030
	e-HSC 14X16X14.5		
	e-HSC 14X16X27.5	N/A	P6011555
	e-HSC 14X16X26		
	e-HSC 14X18X18	P6011297	P6011298
	e-HSC 14X18X17		
	e-HSC 14X18X21	P6011301	P6011302
	e-HSC 14X18X20		
	e-HSC 16X16X13.5	P6011544	P6011545
	e-HSC 16X16X13		
	e-HSC 16X20X20.5	P6011311	P6011312
	e-HSC 16X20X19.5		
	e-HSC 16X20X23	N/A	P6011557
	e-HSC 16X20X22		
	e-HSC 18X20X15.5	P6011065	P6011066
	e-HSC 18X20X14.5		
	e-HSC 20X24X18	P6011305	P6011306
	e-HSC 20X24X17		

e-HSC pump shaft parts

Listings by pump model

Catalog no.	Model	SS 420	Duplex 2205
48	e-HSC 2.5X4X10.5	P6013507	P6013508
	e-HSC 2.5X4X10		
	e-HSC 3X4X12.5	P6010969	P6010970
	e-HSC 3X4X12		
	e-HSC 3X5X8.5	P6010969	P6010970
	e-HSC 3X5X8		
	e-HSC 3X5X11	P6010969	P6010970
	e-HSC 3X5X10.5		
	e-HSC 3X5X13.5	P6010969	P6010970
	e-HSC 3X5X13		
	e-HSC 4X6X10	P6010969	P6010970
	e-HSC 4X6X9.5		
	e-HSC 4X6X13	P6010361	P6010783
	e-HSC 4X6X12		
	e-HSC 4X6X16	P6010969	P6010970
	e-HSC 4X6X15.5		
	e-HSC 5X6X9	P6010969	P6010970
	e-HSC 5X6X8.5		
	e-HSC 5X8X9.5	P6010362	P6010784
	e-HSC 5X8X9		
	e-HSC 5X8X12	P6010362	P6010784
	e-HSC 5X8X11		
	e-HSC 5X8X15.5	P6010362	P6010784
	e-HSC 5X8X14.5		
	e-HSC 5X8X19	P6010362	P6010784
	e-HSC 5X8X18		
	e-HSC 6X8X6.5	P6010969	P6010970
	e-HSC 6X8X6		
	e-HSC 6X8X12	P6010363	P6010785
	e-HSC 6X8X11		
	e-HSC 6X8X14	P6010363	P6010785
	e-HSC 6X8X13.5		
	e-HSC 6X8X18	P6010880	P6010881
	e-HSC 6X8X17		
	e-HSC 6X8X22	P6012648	P6012649
	e-HSC 6X8X21		
	e-HSC 6X10X11	P6010880	P6010881
	e-HSC 6X10X10.5		
	e-HSC 8X8X8	P6013509	P6013510
	e-HSC 8X8X7.5		
	e-HSC 8X10X10	P6010363	P6010785
	e-HSC 8X10X9.5		
	e-HSC 8X10X13.5	P6010880	P6010881
	e-HSC 8X10X13		
	e-HSC 8X10X17	P6010098	P6010690
	e-HSC 8X10X16		

Catalog no.	Model	SS 420	Duplex 2205
48	e-HSC 8X10X21	P6012648	P6012649
	e-HSC 8X10X20		
	e-HSC 8X10X26	P6013152	P6013153
	e-HSC 8X10X25		
	e-HSC 10X10X8	P6013511	P6013512
	e-HSC 10X10X7.5		
	e-HSC 10X12X15.5	P6010882	P6010883
	e-HSC 10X12X14.5		
	e-HSC 10X12X19	P6010141	P6010691
	e-HSC 10X12X18		
	e-HSC 10X12X24	P6011186	P6011187
	e-HSC 10X12X23		
	e-HSC 12X12X9	P6011353	P6011354
	e-HSC 12X12X8.5		
	e-HSC 12X12X10	P6010364	P6010786
	e-HSC 12X12X9.5		
	e-HSC 12X14X13	P6010882	P6010883
	e-HSC 12X14X12.5		
	e-HSC 12X16X18	P6010884	P6010885
	e-HSC 12X16X17		
	e-HSC 12X16X22	P6010199	P6010692
	e-HSC 12X16X21		
	e-HSC 12X16X28	P6011190	P6011191
	e-HSC 12X16X27		
	e-HSC 14X14X12	P6011353	P6011354
	e-HSC 14X14X11		
	e-HSC 14X16X15	P6010884	P6010885
	e-HSC 14X16X14.5		
	e-HSC 14X16X27.5	P6011357	P6011358
	e-HSC 14X16X26		
	e-HSC 14X18X18	P6010199	P6010692
	e-HSC 14X18X17		
	e-HSC 14X18X21	P6010199	P6010692
	e-HSC 14X18X20		
	e-HSC 16X16X13.5	P6011355	P6011356
	e-HSC 16X16X13		
	e-HSC 16X20X20.5	P6011192	P6011193
	e-HSC 16X20X19.5		
	e-HSC 16X20X23	P6011359	P6011360
	e-HSC 16X20X22		
	e-HSC 18X20X15.5	P6010183	P6010693
	e-HSC 18X20X14.5		
	e-HSC 20X24X18	P6011188	P6011189
	e-HSC 20X24X17		

e-HSC pump impeller and impeller wear ring kit

Parts listings by pump model

Catalog no.	Model	SS 304	SS 316
	e-HSC 2.5X4X10.5	P6013424	P6013425
	e-HSC 2.5X4X10	P6013433	P6013434
	e-HSC 3X4X12.5	P6012988	P6012989
	e-HSC 3X4X12	P6012997	P6012998
	e-HSC 3X5X8.5	P6012464	P6012465
	e-HSC 3X5X8	P6012473	P6012474
	e-HSC 3X5X11	P6010929	P6010930
	e-HSC 3X5X10.5	P6010935	P6010936
	e-HSC 3X5X13.5	P6013006	P6013007
	e-HSC 3X5X13	P6013015	P6013016
	e-HSC 4X6X10	P6012510	P6012511
	e-HSC 4X6X9.5	P6012519	P6012520
	e-HSC 4X6X13	P6010319	P6010792
	e-HSC 4X6X12	P6010322	P6010795
	e-HSC 4X6X16	P6013024	P6013025
	e-HSC 4X6X15.5	P6013033	P6013034
	e-HSC 5X6X9	P6010949	P6010950
	e-HSC 5X6X8.5	P6010955	P6010956
	e-HSC 5X8X9.5	P6010326	P6010805
	e-HSC 5X8X9	P6010329	P6010808
	e-HSC 5X8X12	P6013042	P6013043
	e-HSC 5X8X11	P6013051	P6013052
42	e-HSC 5X8X15.5	P6012556	P6012557
	e-HSC 5X8X14.5	P6012565	P6012566
	e-HSC 5X8X19	P6010333	P6010818
	e-HSC 5X8X18	P6010336	P6010821
	e-HSC 6X8X6.5	P6013406	P6013407
	e-HSC 6X8X6	P6013415	P6013416
	e-HSC 6X8X12	P6013078	P6013079
	e-HSC 6X8X11	P6013087	P6013088
	e-HSC 6X8X14	P6010340	P6010831
	e-HSC 6X8X13.5	P6010343	P6010834
	e-HSC 6X8X18	P6012602	P6012603
	e-HSC 6X8X17	P6012611	P6012612
	e-HSC 6X8X22	P6012650	P6012651
	e-HSC 6X8X21	P6012659	P6012660
	e-HSC 6X10X11	P6013060	P6013061
	e-HSC 6X10X10.5	P6013069	P6013070
	e-HSC 8X8X8	P6013388	P6013389
	e-HSC 8X8X7.5	P6013397	P6013398
	e-HSC 8X10X10	P6013096	P6013097
	e-HSC 8X10X9.5	P6013105	P6013106
	e-HSC 8X10X13.5	P6010347	P6010844
	e-HSC 8X10X13	P6010350	P6010847
	e-HSC 8X10X17	P6010165	P6010718
	e-HSC 8X10X16	P6010170	P6010721

Catalog no.	Model	SS 304	SS 316
	e-HSC 8X10X21	P6012694	P6012695
	e-HSC 8X10X20	P6012703	P6012704
	e-HSC 8X10X26	P6013114	P6013115
	e-HSC 8X10X25	P6013123	P6013124
	e-HSC 10X10X8	P6013370	P6013371
	e-HSC 10X10X7.5	P6013379	P6013380
	e-HSC 10X12X15.5	P6010097	P6010700
	e-HSC 10X12X14.5	P6010110	P6010703
	e-HSC 10X12X19	P6011452	P6011453
	e-HSC 10X12X18	P6011458	P6011459
	e-HSC 10X12X24	P6011114	P6011115
	e-HSC 10X12X23	P6011120	P6011121
	e-HSC 12X12X9	P6013352	P6013353
	e-HSC 12X12X8.5	P6013361	P6013362
	e-HSC 12X12X10	P6010354	P6010857
	e-HSC 12X12X9.5	P6010357	P6010860
	e-HSC 12X14X13	P6010121	P6010706
	e-HSC 12X14X12.5	P6010126	P6010709
	e-HSC 12X16X18	P6011478	P6011479
	e-HSC 12X16X17	P6011484	P6011485
	e-HSC 12X16X22	P6010198	P6010724
42	e-HSC 12X16X21	P6010211	P6010727
	e-HSC 12X16X28	P6011162	P6011163
	e-HSC 12X16X27	P6011168	P6011169
	e-HSC 14X14X12	P6011412	P6011413
	e-HSC 14X14X11	P6011418	P6011419
	e-HSC 14X16X15	P6010140	P6010712
	e-HSC 14X16X14.5	P6010154	P6010715
	e-HSC 14X16X27.5	P6011498	P6011499
	e-HSC 14X16X26	P6011504	P6011505
	e-HSC 14X18X18	P6011126	P6011127
	e-HSC 14X18X17	P6011132	P6011133
	e-HSC 14X18X21	P6011138	P6011139
	e-HSC 14X18X20	P6011144	P6011145
	e-HSC 16X16X13.5	P6011432	P6011433
	e-HSC 16X16X13	P6011438	P6011439
	e-HSC 16X20X20.5	P6011174	P6011175
	e-HSC 16X20X19.5	P6011180	P6011181
	e-HSC 16X20X23	P6011518	P6011519
	e-HSC 16X20X22	P6011524	P6011525
	e-HSC 18X20X15.5	P6010182	P6010730
	e-HSC 18X20X14.5	P6010188	P6010733
	e-HSC 20X24X18	P6011150	P6011151
	e-HSC 20X24X17	P6011156	P6011157

e-HSC pump impeller, wear ring and CWR kit

Parts listings

Catalog no.	Model	SS 304 kit*	SS 316 kit*
	e-HSC 2.5X4X10.5	P6013430	P6013431
	e-HSC 2.5X4X10	P6013439	P6013440
	e-HSC 3X4X12.5	P6012994	P6012995
	e-HSC 3X4X12	P6013003	P6013004
	e-HSC 3X5X8.5	P6012470	P6012471
	e-HSC 3X5X8	P6012479	P6012480
	e-HSC 3X5X11	P6010933	P6010934
	e-HSC 3X5X10.5	P6010939	P6010940
	e-HSC 3X5X13.5	P6013012	P6013013
	e-HSC 3X5X13	P6013021	P6013022
	e-HSC 4X6X10	P6012516	P6012517
	e-HSC 4X6X9.5	P6012525	P6012526
	e-HSC 4X6X13	P6010321	P6010794
	e-HSC 4X6X12	P6010324	P6010797
	e-HSC 4X6X16	P6013030	P6013031
	e-HSC 4X6X15.5	P6013039	P6013040
	e-HSC 5X6X9	P6010953	P6010954
	e-HSC 5X6X8.5	P6010959	P6010960
	e-HSC 5X8X9.5	P6010328	P6010807
	e-HSC 5X8X9	P6010331	P6010810
	e-HSC 5X8X12	P6013048	P6013049
	e-HSC 5X8X11	P6013057	P6013058
	e-HSC 5X8X15.5	P6012562	P6012563
	e-HSC 5X8X14.5	P6012571	P6012572
	e-HSC 5X8X19	P6010335	P6010820
	e-HSC 5X8X18	P6010338	P6010823
	e-HSC 6X8X6.5	P6013412	P6013413
	e-HSC 6X8X6	P6013421	P6013422
	e-HSC 6X8X12	P6013084	P6013085
	e-HSC 6X8X11	P6013093	P6013094
	e-HSC 6X8X14	P6010342	P6010833
	e-HSC 6X8X13.5	P6010345	P6010836
	e-HSC 6X8X18	P6012608	P6012609
	e-HSC 6X8X17	P6012617	P6012618
	e-HSC 6X8X22	P6012656	P6012657
	e-HSC 6X8X21	P6012665	P6012666
	e-HSC 6X10X11	P6013066	P6013067
	e-HSC 6X10X10.5	P6013075	P6013076
	e-HSC 8X8X8	P6013394	P6013395
	e-HSC 8X8X7.5	P6013403	P6013404
	e-HSC 8X10X10	P6013102	P6013103
	e-HSC 8X10X9.5	P6013111	P6013112
	e-HSC 8X10X13.5	P6010349	P6010846
	e-HSC 8X10X13	P6010352	P6010849
	e-HSC 8X10X17	P6010169	P6010720
	e-HSC 8X10X16	P6010172	P6010723

42

Catalog no.	Model	SS 304 kit*	SS 316 kit*
	e-HSC 8X10X21	P6012700	P6013121
	e-HSC 8X10X20	P6012709	P6013130
	e-HSC 8X10X26	P6013120	P6013377
	e-HSC 8X10X25	P6013129	P6013386
	e-HSC 10X10X8	P6013376	P6010702
	e-HSC 10X10X7.5	P6013385	P6010705
	e-HSC 10X12X15.5	P6010109	P6011457
	e-HSC 10X12X14.5	P6010112	P6011463
	e-HSC 10X12X19	P6011456	P6011119
	e-HSC 10X12X18	P6011462	P6011125
	e-HSC 10X12X24	P6011118	P6013359
	e-HSC 10X12X23	P6011124	P6013368
	e-HSC 12X12X9	P6013358	P6010859
	e-HSC 12X12X8.5	P6013367	P6010862
	e-HSC 12X12X10	P6010356	P6010708
	e-HSC 12X12X9.5	P6010359	P6010711
	e-HSC 12X14X13	P6010125	P6011483
	e-HSC 12X14X12.5	P6010128	P6011489
	e-HSC 12X16X18	P6011482	P6010726
	e-HSC 12X16X17	P6011488	P6010729
	e-HSC 12X16X22	P6010210	P6011167
	e-HSC 12X16X21	P6010213	P6011173
	e-HSC 12X16X28	P6011166	P6011417
	e-HSC 12X16X27	P6011172	P6011423
	e-HSC 14X14X12	P6011416	P6010714
	e-HSC 14X14X11	P6011422	P6010717
	e-HSC 14X16X15	P6010153	P6011503
	e-HSC 14X16X14.5	P6010156	P6011509
	e-HSC 14X16X27.5	P6011502	P6011131
	e-HSC 14X16X26	P6011508	P6011137
	e-HSC 14X18X18	P6011130	P6011143
	e-HSC 14X18X17	P6011136	P6011149
	e-HSC 14X18X21	P6011142	P6011437
	e-HSC 14X18X20	P6011148	P6011443
	e-HSC 16X16X13.5	P6011436	P6011179
	e-HSC 16X16X13	P6011442	P6011185
	e-HSC 16X20X20.5	P6011178	P6011523
	e-HSC 16X20X19.5	P6011184	P6011529
	e-HSC 16X20X23	P6011522	P6010732
	e-HSC 16X20X22	P6011528	P6010735
	e-HSC 18X20X15.5	P6010187	P6011155
	e-HSC 18X20X14.5	P6010190	P6011161
	e-HSC 20X24X18	P6011154	P6013121
	e-HSC 20X24X17	P6011160	P6013130

42

* Kits based on impeller material. Kits consist of impeller, impeller wear rings and required fasteners.

e-HSC pump impeller with CWR

Parts listings

Catalog no.	Model	SS 304 kit*	SS 316 kit*
	e-HSC 2.5X4X10.5	P6013427	P6013428
	e-HSC 2.5X4X10	P6013436	P6013437
	e-HSC 3X4X12.5	P6012991	P6012992
	e-HSC 3X4X12	P6013000	P6013001
	e-HSC 3X5X8.5	P6012467	P6012468
	e-HSC 3X5X8	P6012476	P6012477
	e-HSC 3X5X11	P6010931	P6010932
	e-HSC 3X5X10.5	P6010937	P6010938
	e-HSC 3X5X13.5	P6013009	P6013010
	e-HSC 3X5X13	P6013018	P6013019
	e-HSC 4X6X10	P6012513	P6012514
	e-HSC 4X6X9.5	P6012522	P6012523
	e-HSC 4X6X13	P6010320	P6010793
	e-HSC 4X6X12	P6010323	P6010796
	e-HSC 4X6X16	P6013027	P6013028
	e-HSC 4X6X15.5	P6013036	P6013037
	e-HSC 5X6X9	P6010951	P6010952
	e-HSC 5X6X8.5	P6010957	P6010958
	e-HSC 5X8X9.5	P6010327	P6010806
	e-HSC 5X8X9	P6010330	P6010809
	e-HSC 5X8X12	P6013045	P6013046
	e-HSC 5X8X11	P6013054	P6013055
42	e-HSC 5X8X15.5	P6012559	P6012560
	e-HSC 5X8X14.5	P6012568	P6012569
	e-HSC 5X8X19	P6010334	P6010819
	e-HSC 5X8X18	P6010337	P6010822
	e-HSC 6X8X6.5	P6013409	P6013410
	e-HSC 6X8X6	P6013418	P6013419
	e-HSC 6X8X12	P6013081	P6013082
	e-HSC 6X8X11	P6013090	P6013091
	e-HSC 6X8X14	P6010341	P6010832
	e-HSC 6X8X13.5	P6010344	P6010835
	e-HSC 6X8X18	P6012605	P6012606
	e-HSC 6X8X17	P6012614	P6012615
	e-HSC 6X8X22	P6012653	P6012654
	e-HSC 6X8X21	P6012662	P6012663
	e-HSC 6X10X11	P6013063	P6013064
	e-HSC 6X10X10.5	P6013072	P6013073
	e-HSC 8X8X8	P6013391	P6013392
	e-HSC 8X8X7.5	P6013400	P6013401
	e-HSC 8X10X10	P6013099	P6013100
	e-HSC 8X10X9.5	P6013108	P6013109
	e-HSC 8X10X13.5	P6010348	P6010845
	e-HSC 8X10X13	P6010351	P6010848
	e-HSC 8X10X17	P6010167	P6010719
	e-HSC 8X10X16	P6010171	P6010722

Catalog no.	Model	SS 304 kit*	SS 316 kit*
	e-HSC 8X10X21	P6012697	P6012698
	e-HSC 8X10X20	P6012706	P6012707
	e-HSC 8X10X26	P6013117	P6013118
	e-HSC 8X10X25	P6013126	P6013127
	e-HSC 10X10X8	P6013373	P6013374
	e-HSC 10X10X7.5	P6013382	P6013383
	e-HSC 10X12X15.5	P6010107	P6010701
	e-HSC 10X12X14.5	P6010111	P6010704
	e-HSC 10X12X19	P6011454	P6011455
	e-HSC 10X12X18	P6011460	P6011461
	e-HSC 10X12X24	P6011116	P6011117
	e-HSC 10X12X23	P6011122	P6011123
	e-HSC 12X12X9	P6013355	P6013356
	e-HSC 12X12X8.5	P6013364	P6013365
	e-HSC 12X12X10	P6010355	P6010858
	e-HSC 12X12X9.5	P6010358	P6010861
	e-HSC 12X14X13	P6010123	P6010707
	e-HSC 12X14X12.5	P6010127	P6010710
	e-HSC 12X16X18	P6011480	P6011481
	e-HSC 12X16X17	P6011486	P6011487
	e-HSC 12X16X22	P6010208	P6010725
42	e-HSC 12X16X21	P6010212	P6010728
	e-HSC 12X16X28	P6011164	P6011165
	e-HSC 12X16X27	P6011170	P6011171
	e-HSC 14X14X12	P6011414	P6011415
	e-HSC 14X14X11	P6011420	P6011421
	e-HSC 14X16X15	P6010151	P6010713
	e-HSC 14X16X14.5	P6010155	P6010716
	e-HSC 14X16X27.5	P6011500	P6011501
	e-HSC 14X16X26	P6011506	P6011507
	e-HSC 14X18X18	P6011128	P6011129
	e-HSC 14X18X17	P6011134	P6011135
	e-HSC 14X18X21	P6011140	P6011141
	e-HSC 14X18X20	P6011146	P6011147
	e-HSC 16X16X13.5	P6011434	P6011435
	e-HSC 16X16X13	P6011440	P6011441
	e-HSC 16X20X20.5	P6011176	P6011177
	e-HSC 16X20X19.5	P6011182	P6011183
	e-HSC 16X20X23	P6011520	P6011521
	e-HSC 16X20X22	P6011526	P6011527
	e-HSC 18X20X15.5	P6010185	P6010731
	e-HSC 18X20X14.5	P6010189	P6010734
	e-HSC 20X24X18	P6011152	P6011153
	e-HSC 20X24X17	P6011158	P6011159

* Listings contain impellers machined for impeller with casing wear ring configuration.

e-HSC pump mechanical seal

Type RS-25 high pressure seals parts listings

Catalog no.	Model	SiC/SiC/FKM
35	e-HSC 2.5X4X10.5	P6022121
	e-HSC 2.5X4X10	
	e-HSC 3X4X12.5	P6022121
	e-HSC 3X4X12	
	e-HSC 3X5X8.5	P6022121
	e-HSC 3X5X8	
	e-HSC 3X5X11	P6022121
	e-HSC 3X5X10.5	
	e-HSC 3X5X13.5	P6022121
	e-HSC 3X5X13	
	e-HSC 4X6X10	P6022121
	e-HSC 4X6X9.5	
	e-HSC 4X6X13	P6022122
	e-HSC 4X6X12	
	e-HSC 4X6X16	P6022121
	e-HSC 4X6X15.5	
	e-HSC 5X6X9	P6022121
	e-HSC 5X6X8.5	
	e-HSC 5X8X9.5	P6022122
	e-HSC 5X8X9	
	e-HSC 5X8X12	P6022122
	e-HSC 5X8X11	
	e-HSC 5X8X15.5	P6022122
	e-HSC 5X8X14.5	
	e-HSC 5X8X19	P6022122
	e-HSC 5X8X18	
	e-HSC 6X8X6.5	P6022121
	e-HSC 6X8X6	
	e-HSC 6X8X12	P6022122
	e-HSC 6X8X11	
	e-HSC 6X8X14	P6022122
	e-HSC 6X8X13.5	
	e-HSC 6X8X18	P6022123
	e-HSC 6X8X17	
	e-HSC 6X8X22	P6022124
	e-HSC 6X8X21	
	e-HSC 6X10X11	P6022123
	e-HSC 6X10X10.5	
	e-HSC 8X8X8	P6022121
	e-HSC 8X8X7.5	
e-HSC 8X10X10	P6022122	
e-HSC 8X10X9.5		
e-HSC 8X10X13.5	P6022123	
e-HSC 8X10X13		
e-HSC 8X10X17	P6022123	
e-HSC 8X10X16		

Catalog no.	Model	SiC/SiC/FKM
35	e-HSC 8X10X21	P6022124
	e-HSC 8X10X20	
	e-HSC 8X10X26	P6022125
	e-HSC 8X10X25	
	e-HSC 10X10X8	P6022121
	e-HSC 10X10X7.5	
	e-HSC 10X12X15.5	P6022124
	e-HSC 10X12X14.5	
	e-HSC 10X12X19	P6022124
	e-HSC 10X12X18	
	e-HSC 10X12X24	P6022126
	e-HSC 10X12X23	
	e-HSC 12X12X9	P6022122
	e-HSC 12X12X8.5	
	e-HSC 12X12X10	P6022122
	e-HSC 12X12X9.5	
	e-HSC 12X14X13	P6022124
	e-HSC 12X14X12.5	
	e-HSC 12X16X18	P6022125
	e-HSC 12X16X17	
	e-HSC 12X16X22	P6022126
	e-HSC 12X16X21	
	e-HSC 12X16X28	
	e-HSC 12X16X27	
	e-HSC 14X14X12	P6022122
	e-HSC 14X14X11	
	e-HSC 14X16X15	P6022125
	e-HSC 14X16X14.5	
	e-HSC 14X16X27.5	
	e-HSC 14X16X26	
	e-HSC 14X18X18	P6022126
	e-HSC 14X18X17	
	e-HSC 14X18X21	P6022126
	e-HSC 14X18X20	
	e-HSC 16X16X13.5	P6022123
	e-HSC 16X16X13	
	e-HSC 16X20X20.5	
	e-HSC 16X20X19.5	
	e-HSC 16X20X23	
	e-HSC 16X20X22	
e-HSC 18X20X15.5	P6022124	
e-HSC 18X20X14.5		
e-HSC 20X24X18	P6022126	
e-HSC 20X24X17		

e-HSC pump mechanical seal

Type MR2 parts listings

Catalog no.	Model	Carbon/SiC/EPDM	SiC/SiC/EPDM	Carbon/SiC/FKM	SiC/SiC/FKM
35	e-HSC 2.5X4X10.5	P6000019	P6000116	P6000308	P6000316
	e-HSC 2.5X4X10				
	e-HSC 3X4X12.5	P6000019	P6000116	P6000308	P6000316
	e-HSC 3X4X12				
	e-HSC 3X5X8.5	P6000019	P6000116	P6000308	P6000316
	e-HSC 3X5X8				
	e-HSC 3X5X11	P6000019	P6000116	P6000308	P6000316
	e-HSC 3X5X10.5				
	e-HSC 3X5X13.5	P6000019	P6000116	P6000308	P6000316
	e-HSC 3X5X13				
	e-HSC 4X6X10	P6000019	P6000116	P6000308	P6000316
	e-HSC 4X6X9.5				
	e-HSC 4X6X13	P6000020	P6000117	P6000309	P6000317
	e-HSC 4X6X12				
	e-HSC 4X6X16	P6000019	P6000116	P6000308	P6000316
	e-HSC 4X6X15.5				
	e-HSC 5X6X9	P6000019	P6000116	P6000308	P6000316
	e-HSC 5X6X8.5				
	e-HSC 5X8X9.5	P6000020	P6000117	P6000309	P6000317
	e-HSC 5X8X9				
	e-HSC 5X8X12	P6000020	P6000117	P6000309	P6000317
	e-HSC 5X8X11				
	e-HSC 5X8X15.5	P6000020	P6000117	P6000309	P6000317
	e-HSC 5X8X14.5				
	e-HSC 5X8X19	P6000020	P6000117	P6000309	P6000317
	e-HSC 5X8X18				
	e-HSC 6X8X6.5	P6000019	P6000116	P6000308	P6000316
	e-HSC 6X8X6				
	e-HSC 6X8X12	P6000020	P6000117	P6000309	P6000317
	e-HSC 6X8X11				
	e-HSC 6X8X14	P6000020	P6000117	P6000309	P6000317
	e-HSC 6X8X13.5				
	e-HSC 6X8X18	P6000021	P6000118	P6000310	P6000318
	e-HSC 6X8X17				
	e-HSC 6X8X22	P6000022	P6000119	P6000311	P6000319
	e-HSC 6X8X21				
	e-HSC 6X10X11	P6000021	P6000118	P6000310	P6000318
	e-HSC 6X10X10.5				
	e-HSC 8X8X8	P6000019	P6000116	P6000308	P6000316
	e-HSC 8X8X7.5				
e-HSC 8X10X10	P6000020	P6000117	P6000309	P6000317	
e-HSC 8X10X9.5					
e-HSC 8X10X13.5	P6000021	P6000118	P6000310	P6000318	
e-HSC 8X10X13					
e-HSC 8X10X17	P6000021	P6000118	P6000310	P6000318	
e-HSC 8X10X16					

e-HSC pump mechanical seal (continued)

Type MR2 parts listings

Catalog no.	Model	Carbon/SiC/EPDM	SiC/SiC/EPDM	Carbon/SiC/FKM	SiC/SiC/FKM
42	e-HSC 8X10X21	P6000022	P6000119	P6000311	P6000319
	e-HSC 8X10X20				
	e-HSC 8X10X26	P6000023	P6000120	P6000312	P6000320
	e-HSC 8X10X25				
	e-HSC 10X10X8	P6000019	P6000116	P6000308	P6000316
	e-HSC 10X10X7.5				
	e-HSC 10X12X15.5	P6000022	P6000119	P6000311	P6000319
	e-HSC 10X12X14.5				
	e-HSC 10X12X19	P6000022	P6000119	P6000311	P6000319
	e-HSC 10X12X18				
	e-HSC 10X12X24	P6000024	P6000121	P6000313	P6000321
	e-HSC 10X12X23				
	e-HSC 12X12X9	P6000020	P6000117	P6000309	P6000317
	e-HSC 12X12X8.5				
	e-HSC 12X12X10	P6000020	P6000117	P6000309	P6000317
	e-HSC 12X12X9.5				
	e-HSC 12X14X13	P6000022	P6000119	P6000311	P6000319
	e-HSC 12X14X12.5				
	e-HSC 12X16X18	P6000023	P6000120	P6000312	P6000320
	e-HSC 12X16X17				
	e-HSC 12X16X22	P6000024	P6000121	P6000313	P6000321
	e-HSC 12X16X21				
	e-HSC 12X16X28	P6000025	P6000122	P6000314	P6000322
	e-HSC 12X16X27				
	e-HSC 14X14X12	P6000020	P6000117	P6000309	P6000317
	e-HSC 14X14X11				
	e-HSC 14X16X15	P6000023	P6000120	P6000312	P6000320
	e-HSC 14X16X14.5				
	e-HSC 14X16X27.5	P6000026	P6000123	P6000315	P6000323
	e-HSC 14X16X26				
	e-HSC 14X18X18	P6000024	P6000121	P6000313	P6000321
	e-HSC 14X18X17				
	e-HSC 14X18X21	P6000024	P6000121	P6000313	P6000321
	e-HSC 14X18X20				
	e-HSC 16X16X13.5	P6000021	P6000118	P6000310	P6000318
	e-HSC 16X16X13				
	e-HSC 16X20X20.5	P6000025	P6000122	P6000314	P6000322
	e-HSC 16X20X19.5				
	e-HSC 16X20X23	P6000026	P6000123	P6000315	P6000323
	e-HSC 16X20X22				
	e-HSC 18X20X15.5	P6000022	P6000119	P6000311	P6000319
	e-HSC 18X20X14.5				
e-HSC 20X24X18	P6000024	P6000121	P6000313	P6000321	
e-HSC 20X24X17					

e-HSC pump standard seal replacement kit

No.	Model	Model	Shaft size in. [mm]	Kit part number
1	2.5X4X10.5	2.5X4X10	1.38 [35]	P6016122
2	3X4X12.5	3X4X12	1.38 [35]	P6016116
3	3X5X8.5	3X5X8	1.38 [35]	P6016114
4	3X5X11	3X5X10.5	1.38 [35]	P6016112
5	3X5X13.5	3X5X13	1.38 [35]	P6016117
6	4X6X10	4X6X9.5	1.38 [35]	P6016115
7	4X6X13	4X6X12	1.77 [45]	P6016126
8	4X6X16	4X6X15.5	1.38 [35]	P6016118
9	5X6X9	5X6X8.5	1.38 [35]	P6016113
10	5X8X9.5	5X8X9	1.77 [45]	P6016124
11	5X8X12	5X8X11	1.77 [45]	P6016130
12	5X8X15.5	5X8X14.5	1.77 [45]	P6016129
13	5X8X19	5X8X18	1.77 [45]	P6016128
14	6X8X6.5	6X8X6	1.38 [35]	P6016121
15	6X8X12	6X8X11	1.77 [45]	P6016131
16	6X8X14	6X8X13.5	1.77 [45]	P6016123
17	6X8X18	6X8X17	2.17 [55]	P6016137
18	6X8X22	6X8X21	2.56 [65]	P6016143
19	6X10X11	6X10X10.5	2.17 [55]	P6016138
20	8X8X8	8X8X7.5	1.38 [35]	P6016120
21	8X10X10	8X10X9.5	1.77 [45]	P6016132
22	8X10X13.5	8X10X13	2.17 [55]	P6016134
23	8X10X17	8X10X16	2.17 [55]	P6016135
24	8X10X21	8X10X20	2.56 [65]	P6016144
25	8X10X26	8X10X25	2.95 [75]	P6016147
26	10X10X8	10X10X7.5	1.38 [35]	P6016119
27	10X12X15.5	10X12X14.5	2.56 [65]	P6016139
28	10X12X19	10X12X18	2.56 [65]	P6016142
29	10X12X24	10X12X23	3.35 [85]	P6016148
30	12X12X9	12X12X8.5	1.77 [45]	P6016133
31	12X12X10	12X12X9.5	1.77 [45]	P6016125
32	12X14X13	12X14X12.5	2.56 [65]	P6016140
33	12X16X18	12X16X17	2.95 [75]	P6016146
34	12X16X22	12X16X21	3.35 [85]	P6016149
35	12X16X28	12X16X27	3.74 [95]	P6016153
36	14X14X12	14X14X11	1.77 [45]	P6016127
37	14X16X15	14X16X14.5	2.95 [75]	P6016145
38	14X16X27.5	14X16X26	4.13 [105]	P6016155
39	14X18X18	14X18X17	3.35 [85]	P6016150
40	14X18X21	14X18X20	3.35 [85]	P6016151
41	16X16X13.5	16X16X13	2.17 [55]	P6016136
42	16X20X20.5	16X20X19.5	3.74 [95]	P6016154
43	16X20X23	16X20X22	4.13 [105]	P6016156
44	18X20X15.5	18X20X14.5	2.56 [65]	P6016141
45	20X24X18	20X24X17	3.35 [85]	P6016152

Each seal replacement kit consists of (1) casing gasket – suction, (1) casing gasket – discharge, (2) bearing gasket, (2) seal end cover o-ring, (4) stuffing box o-ring, (2) MR2 mechanical seal, (2) bearing, (2) lip seal.

Xylem
8200 N. Austin Avenue
Morton Grove, Illinois 60053
Phone: (847) 966-3700
Fax: (847) 965-8379

www.xylem.com/bellgossett

All information presented herein is believed reliable and in accordance with accepted engineering practices. Xylem makes no warranties as to the completeness of this information. Users are responsible for evaluating individual product suitability for specific applications. Xylem assumes no liability whatsoever for any special, indirect or consequential damages arising from the sale, resale or misuse of its products. Subject to change without notice.

© 2025 Xylem and Bell & Gossett are registered trademarks of Xylem Inc. or one of its subsidiaries.
All other trademarks or registered trademarks are the property of their respective owners.

CP-516A-PL R2 10/25

xylem
Let's Solve Water