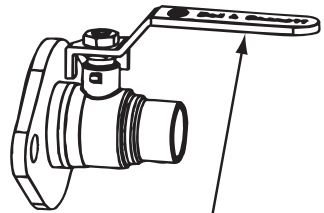


Isolation Flange

Operational Limits

Max Temperature	250°F (121°C)
Max Pressure	150psig (10 Bar)

WARNING LABEL PART NO. V56873
INSTALLED IN THIS LOCATION.
IF MISSING, IT MUST BE REPLACED.



INSTALLER: PLEASE LEAVE THIS MANUAL FOR THE OWNER'S USE.

NOTE: This product is not intended for use in potable water applications.



WARNING: California Proposition 65 Warning! This product contains chemicals known to the State of California to cause cancer and birth defects or other reproductive harm.



SAFETY INSTRUCTION

This safety alert symbol will be used in this manual to draw attention to safety related instructions. When used, the safety alert symbol means **ATTENTION! BECOME ALERT! YOUR SAFETY IS INVOLVED! FAILURE TO FOLLOW THESE INSTRUCTIONS MAY RESULT IN A SAFETY HAZARD.**

DESCRIPTION

The Isolation Flange (IF) is a combination of an isolation valve and a companion flange for circulators. The isolation flange allows easy service or replacement of the circulator without the need to drain the system.

INSTALLATION INSTRUCTIONS

1. Install one IF on the suction side of the hydronic circulator and one on the discharge side.
2. See the following installation instructions and drawings for additional information.



WARNING: System fluids under temperature or pressure can be hazardous. Be sure the pressure is relieved and system temperature is below 100°F (38°C). Failure to follow these instructions could result in property damage and/or personal injury.

3. Apply torque in even increments to both flange bolts. Refer to the pump manufacturer's instruction manual for torque value. Both the suction and discharge flanges must be torqued in this manner.



WARNING: To prevent leakage, make certain that the flange bolts have been adequately torqued. Failure to follow these instructions could result in personal injury and/or property damage.

For NPT connections:

- a) Apply pipe compound conservatively to the male connecting fittings only.
- b) Upon completion of IF installation to piping, check connections for leaks.



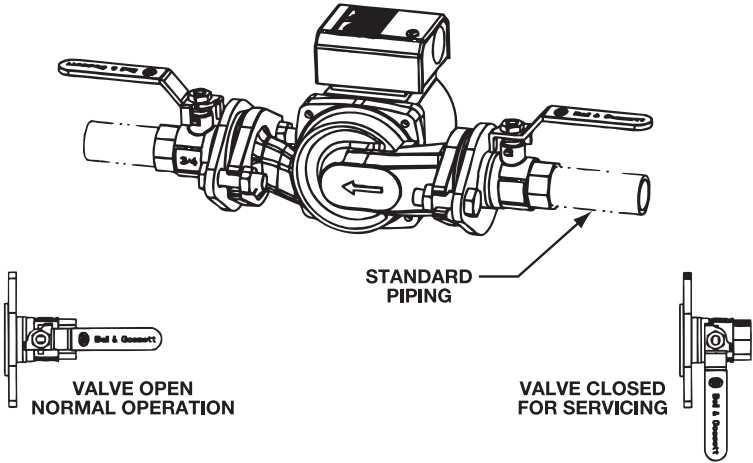
CAUTION: Over-tightening and breakage can occur with the use of teflon pipe joint compounds. Teflon provides lubricity so that care must be exercised not to over-tighten joints. Failure to follow these instructions could result in property damage and/or personal injury.

For Sweat connections:

- Clean tube ends and IF connections thoroughly per good piping practices with a fine grade emery cloth or fine grit sandpaper.
- For soldering, use 95-5 (Tin-Antimony) solder and a good grade of flux.
- Use a torch with a sharp pointed flame.
- When sweating joints, first wrap the IF body with a cool wet rag, then direct the flame with care to avoid subjecting the IF valve to excessive heat. Allow the IF to cool before touching or operating.
- Check the soldered connections for leaks.



CAUTION: Heat associated with the use of silver solder may damage IF valve and void the warranty. Do not use silver solder. Failure to follow these instructions could result in property damage and/or moderate personal injury.



OPERATING INSTRUCTIONS

To isolate the circulator from the system, turn the handle of both isolation valves clockwise 90° to close the valve. Remove circulator for repair/replacement.

IMPORTANT: Relieve pressure from the circulator by slowly loosening the bolts allowing the water to slowly drain from the pump body. Refer to the circulator instruction manual when reinstalling a circulator. After a pump is reinstalled, turn the handle of both isolation valves counterclockwise 90° to open the valves for normal operation.

SERVICE INSTRUCTION

There is no service required for the isolation flange.



CAUTION: Corrosion or leakage of the IF valve can cause damage or injury. Periodically inspect the IF valve for signs of leakage or corrosion. If corrosion or leakage is noted, the IF valve must be replaced. Failure to follow these instructions could result in property damage and/or moderate personal injury.



Bell & Gossett

USA
Bell & Gossett
8200 N. Austin Avenue
Morton Grove, IL 60053
Phone: (847) 966-3700
Facsimile: (847) 966-9052
www.bellgossett.com

INTL.
Bell & Gossett / Export Dept.
8200 N. Austin Avenue
Morton Grove, IL 60053
Phone: (847) 966-3700
Facsimile: (847) 966-8366
www.bellgossett.com