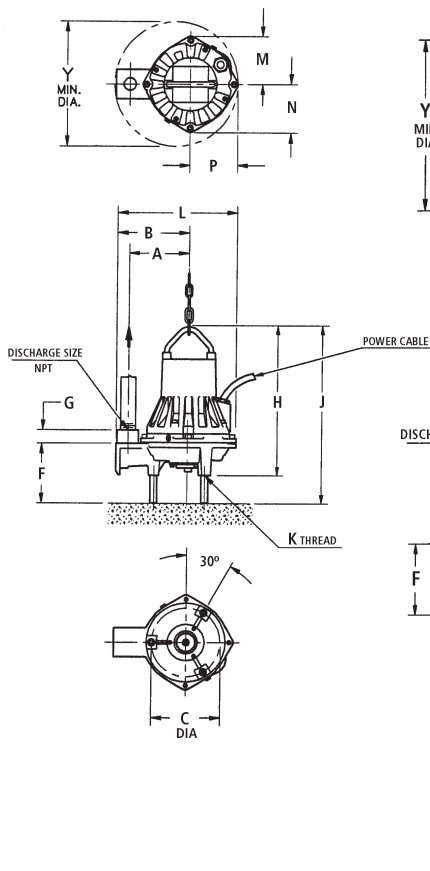




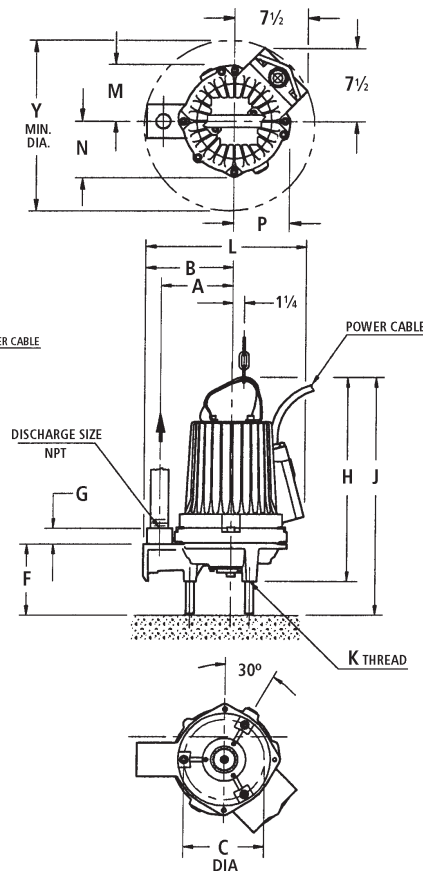
# 15GDS & 20GDS

1½" AND 2" DISCHARGE - SUBMERSIBLE GRINDER PUMPS

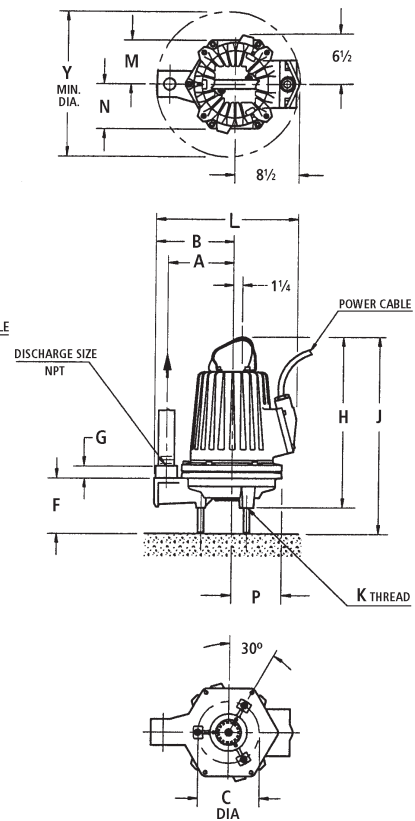
**DRAWING 1**



**DRAWING 2**



**DRAWING 3**



See Dimension Chart on back.

**DIMENSIONS** (All dimensions are in inches. Do not use for construction purposes.)

| Drawing Number | Pump Series | HP  | Phase | Disch. Size | A   | B    | C    | F    | G   | H    | J     | K   | L     | M    | N    | P   | Y    | Weight (lbs.) |
|----------------|-------------|-----|-------|-------------|-----|------|------|------|-----|------|-------|-----|-------|------|------|-----|------|---------------|
| 1              | 15GDS       | 3   | 1     | 1.5"        | 7.0 | 8.75 | 7.94 | 7.25 | 1.5 | 17.5 | 20.5  | M16 | 14.25 | 5.5  | 5.5  | 5.5 | 14.5 | 117           |
|                |             | 4   | 3     |             |     |      |      |      |     |      |       |     |       |      |      |     |      |               |
| 2              |             | 5.4 | 1     |             | 7.0 | 8.5  | 7.94 | 7.0  | 1.5 | 20.5 | 23.75 | M16 | 16.0  | 5.5  | 5.5  | 5.5 | 17.5 | 172           |
|                |             | 6   | 3     |             |     |      |      |      |     |      |       |     |       |      |      |     |      |               |
| 2              | 20GDS       | 5.4 | 1     | 2"          | 7.5 | 9.0  | 7.94 | 7.0  | 1.5 | 20.5 | 23.75 | M16 | 16.5  | 5.5  | 5.5  | 5.5 | 17.5 | 172           |
|                |             | 6   | 3     |             |     |      |      |      |     |      |       |     |       |      |      |     |      |               |
| 3              |             | 9.4 | 1     |             | 8.5 | 10.0 | 7.94 | 7.25 | 1.5 | 22.0 | 25.5  | M16 | 18.5  | 5.75 | 5.75 | 6.5 | 18.5 | 241           |
|                |             | 11  | 3     |             |     |      |      |      |     |      |       |     |       |      |      |     |      |               |

**Xylem Inc.**

2881 East Bayard Street Ext., Suite A  
 Seneca Falls, NY 13148  
 Phone: (866) 325-4210 Fax: (888) 322-5877  
[www.bellgossett.com](http://www.bellgossett.com)



**Bell & Gossett**  
 a xylem brand