

# Pressure Independent Flow-Limiting Valves

## For Small Coils - Field adjustable

A unique field-adjustable cartridge allows you to select the exact flows required for your application, maintaining the set flow rate despite fluctuating system pressure. Small and compact for tight spaces, the valves feature an integrated P/T port with space saving "T" handle (optional P/T port provided for flow verification).

### Low Flow Circuit Sentry

Designed to control flows independent of fluctuating system pressures.

#### Features:

- Pressure independent: not affected by changes in the system pressure
- Field-adjustable flow rates between 0.25 GPM - 3.8 GPM
- Flow accuracy of +/- 5% of flow setting.
- Removable flow cartridge for easy adjustment and cleaning
- Union-ended tail pieces for quick installation

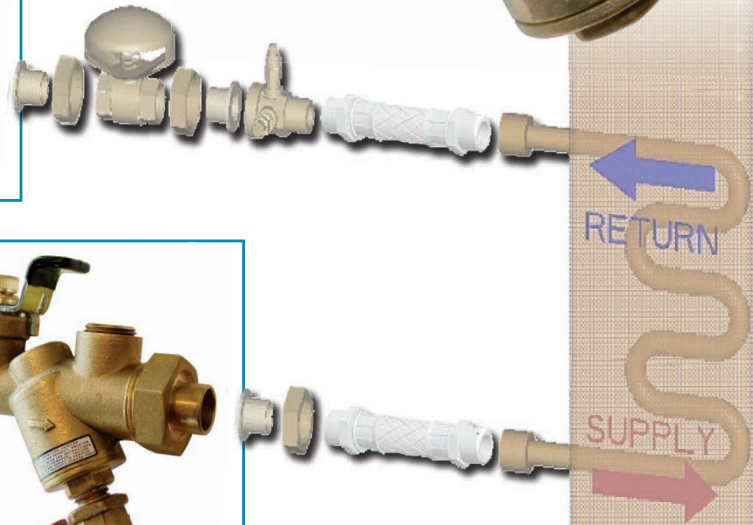
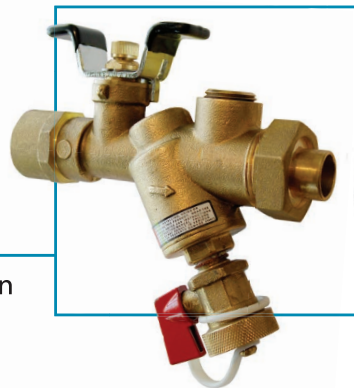


### Low Flow Wye Strainer

Designed to catch particulate that can settle in the coil and affect the heat transfer efficiency.

#### Features:

- Drain valve with hose fitting for easy cleaning
- Union-ended tail pieces for quick installation
- Removable stainless steel mesh strainer for easy cleaning or replacement
- Bypass option for 3-way control valves



**Note: Complete hose and coil kit solutions are available.**



**Bell & Gossett**  
a xylem brand

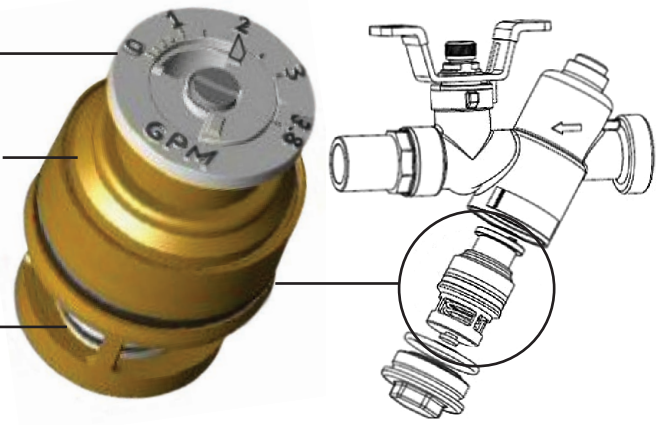
## Fully Field-Adjustable Flow Cartridge

The ACL, Low Flow Circuit Sentry™ valve comes with a fully adjustable flow cartridge that can easily be set to the desired flow. The flow range for the cartridge has a flow range of 0.25 GPM - 3.8 GPM. Once the cartridge has been set, simply re-insert the cartridge into the valve body and tighten the valve housing cap.

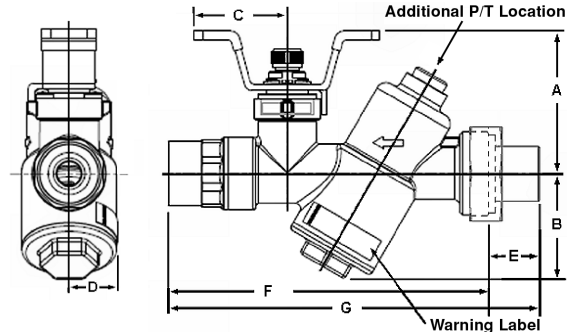
Easy to read, adjustable dial.

Spring loaded cartridge assembly with rolling seal maintains flow between 2 - 60 PSI with quiet operation.

Large openings allow small particles to pass through easily. The result is trouble free operation.



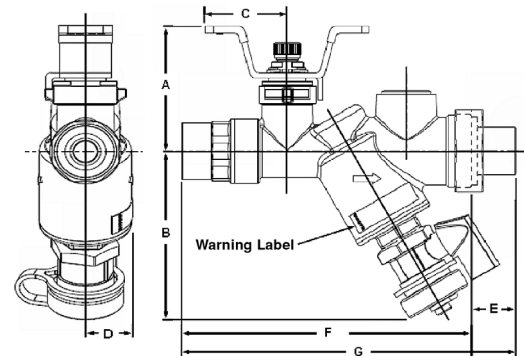
## Dimensional Information for Low Flow Circuit Sentry (ACL)



**Body:** Brass C37700  
**Ball:** Chrome-plated brass C38500  
**Handle:** Chrome-plated steel w/ black vinyl tip covers  
**Cartridge:** DZR brass C35330  
**O-Rings:** EPDM  
**Maximum Working Pressure:** 400 PSI (2758 kPa)  
**Maximum Working Temperature:** 250°F (121°C)  
**Flow Range:** 0.25 GPM (0.015 l/s) - 3.8 GPM (0.24 l/s)  
**Control Range: Min:** See submittal **Max:** 60 PSID (414 kPa)  
**Accuracy:** +/- 5% up to 50 PSID, +/- 10% between 50 and 60 PSID  
**P/T Ports:** Two; one in handle, one loose in box.

Part Number	Valve Fixed End	Valve Union End	DIMENSIONS in (mm)							Approx Weight lbs. (kg)
			A	B	C	D	E	F	G	
117437	1/2" SWTF	1/2" SWTF	2.2 (55)	1.6 (41)	1.4 (36)	0.7 (18)	0.6 (15)	5.1 (129)	5.7 (145)	1.4 (0.65)
	3/4" SWTM	1/2" SWTF	2.2 (55)	1.6 (41)	1.4 (36)	0.7 (18)	0.6 (15)	5.1 (129)	5.7 (145)	1.4 (0.65)
117438	3/4" SWTF	3/4" SWTF	2.2 (55)	1.6 (41)	1.4 (36)	0.7 (18)	0.8 (20)	4.8 (122)	5.6 (142)	1.4 (0.65)
117439	3/4" NPTF	3/4" SWTF	2.2 (55)	1.6 (41)	1.4 (36)	0.7 (18)	0.8 (20)	4.9 (125)	5.7 (145)	1.4 (0.65)

## Dimensional Information for Low Flow Wye Strainer (UBYL)



**Body:** Brass C37700  
**Ball:** Chrome-plated brass C38500  
**Handle:** Chrome-plated steel w/ black vinyl tip covers  
**Strainer:** Removable, 30 mesh; 321 stainless steel  
**O-rings:** EPDM  
**Maximum Working Pressure:** 400 PSI (2758 kPa)  
**Maximum Working Temperature:** 250°F (121°C)

Part Number	Valve Fixed End	Valve Union End	DIMENSIONS in (mm)							Approx Weight lbs. (kg)
			A	B	C	D	E	F	G	
117440	1/2" SWTF	1/2" SWTF	2.2 (55)	2.9 (73)	1.4 (36)	0.7 (18)	0.6 (15)	5.2 (132)	5.8 (147)	1.55 (0.70)
	3/4" SWTM	1/2" SWTF	2.2 (55)	2.9 (73)	1.4 (36)	0.7 (18)	0.6 (15)	5.2 (132)	5.8 (147)	1.55 (0.70)
117441	3/4" SWTF	3/4" SWTF	2.2 (55)	2.9 (73)	1.4 (36)	0.7 (18)	0.8 (20)	4.9 (125)	5.7 (145)	1.55 (0.70)
117442	3/4" NPTF	3/4" SWTF	2.2 (55)	2.9 (73)	1.4 (36)	0.7 (18)	0.8 (20)	5.0 (127)	5.8 (147)	1.55 (0.70)



Xylem Inc.  
 8200 N. Austin Avenue  
 Morton Grove, Illinois 60053  
 Phone: (847) 966-3700  
 Fax: (847) 965-8379  
 www.bellgossett.com

Bell & Gossett is a trademark of Xylem Inc. or one of its subsidiaries.  
 © 2011 Xylem Inc. A-630 October 2009