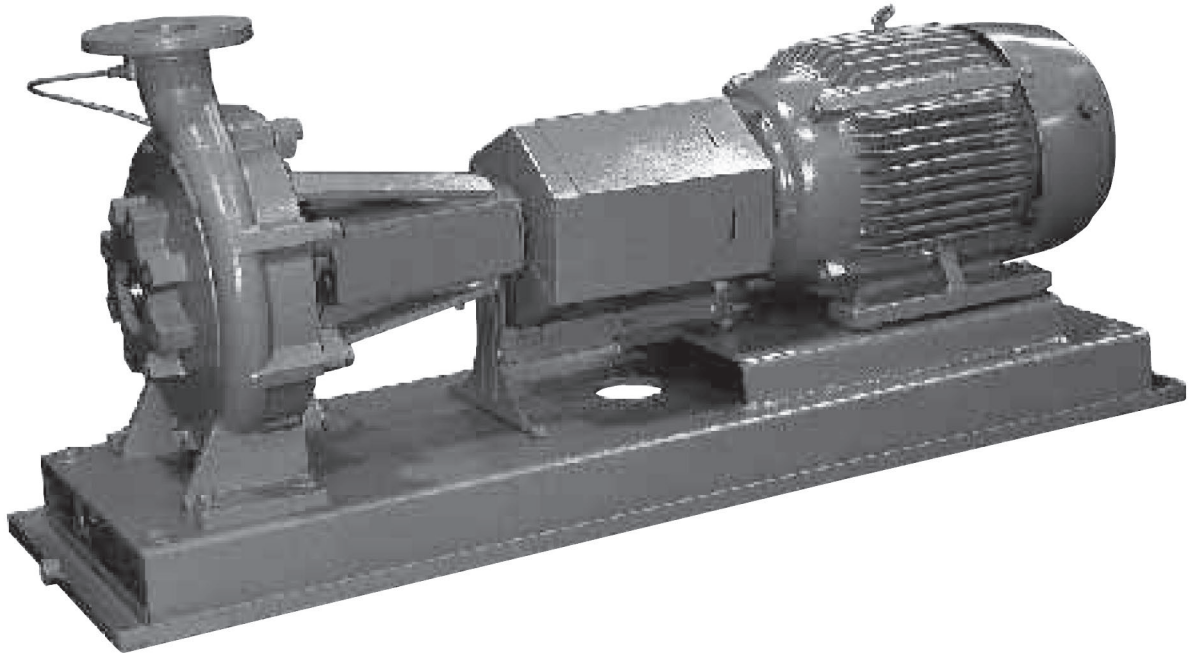


PARTS LIST

CP-601B-PL

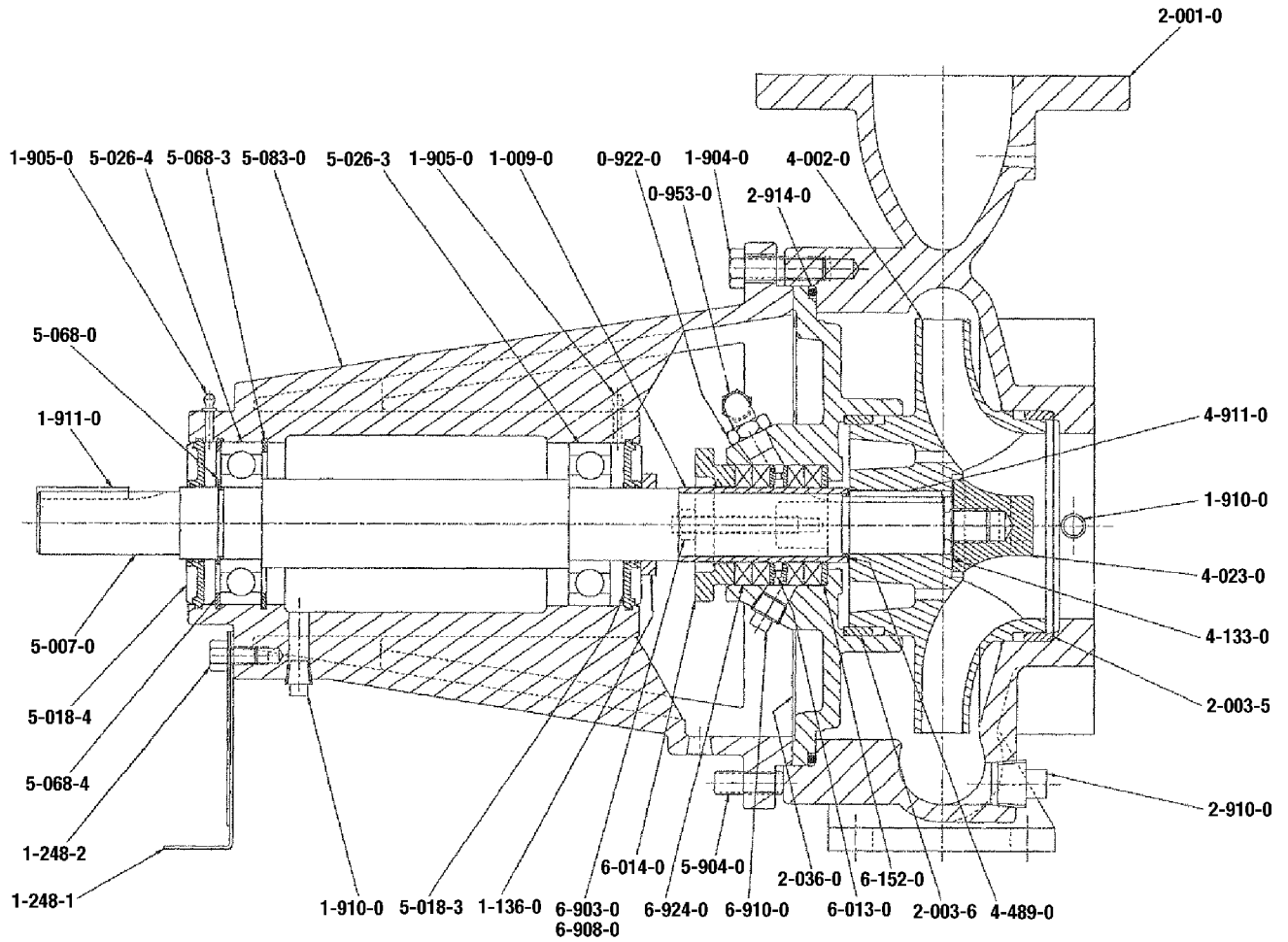


Series 2000

Replacement Parts for 2000 Series Fire Pumps

AC FIRE
PUMP
a xylem brand

CROSS SECTION



3x2x6.5F

CAT. NO.	KIT	DESCRIPTION	MATERIAL	QTY	PART NUMBER
1-009-0	②	Shaft Sleeve	Bronze	1	AC0603
1-136-0		Shaft Seal	Rubber	1	AC0622
1-248-1		Foot	Steel	1	AC0930
1-248-1		Foot Washer	Steel	1	P16690
1-904-0		Bolts (Casing)	Steel	8	H52100
1-904-0		Foot Bolt	Steel	1	S43640
1-905-0		Grease Fitting	Steel	2	P70614
1-910-0		Pipe Plug (.250)	Steel	4	AC0532
1-910-0		Pipe Plug (.250)	Brass	2	CP-711-523-002
1-911-0		Coupling Key	Steel	1	AC0520
2-001-0		Casing	Cast Iron	1	AC0239
2-003-5	②	Wear Ring (Casing)	Bronze	1	AC0756
2-003-6	②	Wear Ring (Stuff Box)	Bronze	1	AC0756
2-036-0		Stuff Box Cover	Cast Iron	1	AC0277
2-910-0		Pipe Plug (.500)	Brass	1	CP-711-523-004
2-914-0	①	O-Ring (Casing)	Rubber	1	AC0540
4-002-0		Impeller	Bronze	1	AC1208
4-023-0		Impeller Nut	Stainless Steel	1	52-122-981-001
4-133-0		Impeller Nut Gasket	Vellumoid 505	1	52-122-982-002
4-489-0	①	Shaft Sleeve Gasket	Vellumoid 505	1	52-122-982-004
4-911-0		Impeller Key	Steel	1	AC0520
5-007-0		Shaft	1045 Steel	1	AC0730
5-018-0		Bearing Cap	Rubber	2	AC0701
5-026-0	①	Bearing	Steel	2	AC0550
5-068-0	①	Shaft Ret. Ring	Steel	1	AC0517
5-068-3	①	Ret. Ring (Inb.)	Steel	1	AC0510
5-068-4	①	Ret. Ring (Otb.)	Steel	1	AC0513
5-083-0		Frame	Cast Iron	1	52-123-938-001
5-904-0		Jacking Screw	Steel	2	CP-617-017-468
6-013-0		Seal Cage	Teflon	1	AC0801
6-014-0		Gland	Stainless Steel	1	AC0661
6-152-0		Packing Base Ring	Stainless Steel	1	52-122-983-001
6-903-0	①	Nuts (Gland)	Stainless Steel	2	52-101-319-002
6-908-0	①	Studs (Gland)	Stainless Steel	2	52-108-709-043
6-924-0	①	Packing	Grade "A"	4	AC0940
6-952-0		By-Pass Piping	Plastic/Bronze	1	52-161-083-501
	①	MINOR REPAIR KIT (2 YEAR SPARE PARTS KIT)			1DN037
	②	MAJOR REPAIR KIT (INCLUDES MINOR REPAIR KIT)			1DN038

4x3x9F

CAT. NO.	KIT	DESCRIPTION	MATERIAL	QTY	PART NUMBER
0-922-0		Reducing Bushing	Malleable Iron	1	CP-711-087-013
1-009-0	Ⓜ	Shaft Sleeve	Bronze	1	AC0607
1-136-0		Shaft Seal	Rubber	1	AC0620
1-248-1		Foot	Steel	1	AC0930
1-248-1		Foot Washer	Steel	1	P16690
1-904-0		Bolts (Casing)	Steel	8	DJ0114
1-904-0		Foot Bolt	Steel	1	S43640
1-905-0		Grease Fitting	Steel	2	P70614
1-910-0		Pipe Plug (.250)	Steel	2	AC0532
1-910-0		Pipe Plug(.250)	Brass	1	CP-711-523-002
1-911-0		Coupling Key	Steel	1	AC0522
2-001-0		Casing	Cast Iron	1	AC0253
2-003-5	Ⓜ	Wear Ring (Casing)	Bronze	1	AC0761
2-003-6	Ⓜ	Wear Ring (Stuff Box)	Bronze	1	AC0759
2-036-0		Stuff Box Cover	Cast Iron	1	AC0289
2-910-0		Pipe Plug (.750)	Brass	1	CP-711-523-006
2-914-0	①	O-Ring (Casing)	Rubber	1	AC0541
4-002-0		Impeller	Bronze	1	AC1214
4-023-0		Impeller Nut	Stainless Steel	1	52-122-980-001
4-133-0		Impeller Nut Gasket	Vellumoid 505	1	52-122-982-001
4-489-0	①	Shaft Sleeve Gasket	Vellumoid 505	1	52-122-982-003
4-911-0		Impeller Key	Steel	1	AC0523
5-007-0		Shaft	1045 Steel	1	AC0732
5-018-0		Bearing Cap	Rubber	2	AC0700
5-026-0	①	Bearing	Steel	2	AC0551
5-068-0	①	Shaft Ret. Ring	Steel	1	AC0518
5-068-3	①	Ret. Ring (Inb.)	Steel	1	AC0511
5-068-4	①	Ret. Ring (Otb.)	Steel	1	AC0514
5-083-0		Frame	Cast Iron	1	52-123-939-001
5-904-0		Jacking Screw	Steel	2	CP-617-017-548
6-013-0		Seal Cage	Teflon	1	AC0802
6-014-0		Gland	Stainless Steel	1	AC0663
6-152-0		Packing Base Ring	Stainless Steel	1	52-122-983-002
6-903-0	①	Nuts (Gland)	Stainless Steel	2	52-101-319-002
6-908-0	①	Studs (Gland)	Stainless Steel	2	52-108-709-043
6-910-0		Pipe Plug (.375)	Steel	1	P39075
6-924-0	①	Packing	Grade "A"	4	AC0941
6-952-0		By-Pass Piping	Plastic/Bronze	1	52-161-083-501
	①	MINOR REPAIR KIT (2 YEAR SPARE PARTS KIT)			1DN039
	Ⓜ	MAJOR REPAIR KIT (INCLUDES MINOR REPAIR KIT)			1DN040

Xylem |'zīləm|

- 1) The tissue in plants that brings water upward from the roots;
- 2) a leading global water technology company.

We're 12,500 people unified in a common purpose: creating innovative solutions to meet our world's water needs. Developing new technologies that will improve the way water is used, conserved, and re-used in the future is central to our work. We move, treat, analyze, and return water to the environment, and we help people use water efficiently, in their homes, buildings, factories and farms. In more than 150 countries, we have strong, long-standing relationships with customers who know us for our powerful combination of leading product brands and applications expertise, backed by a legacy of innovation.

For more information on how Xylem can help you, go to www.xyleminc.com



Xylem Inc.
8200 N. Austin Avenue
Morton Grove, Illinois 60053
Phone: (847) 966-3700
Fax: (847) 965-8379
www.xyleminc.com/brands/acfirepump