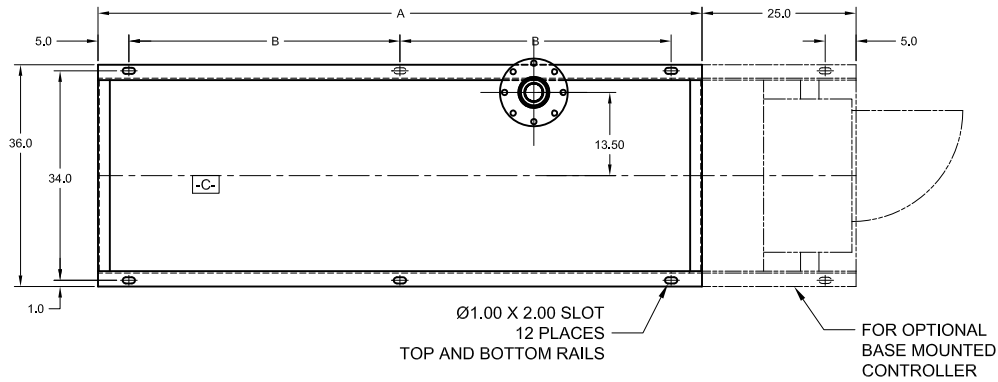


CLARKE FIRE PUMP DRIVERS
EPA NSPS TIER 2 ENGINE MODELS
HSC 9100 SERIES PUMPS



- A- - MOUNTING FACE OF FLYWHEEL
- B- - ENGINE CRANKSHAFT HORIZONTAL CENTERLINE
- C- - ENGINE CRANKSHAFT VERTICAL CENTERLINE
- D- - PUMP SHAFT HORIZONTAL CENTERLINE



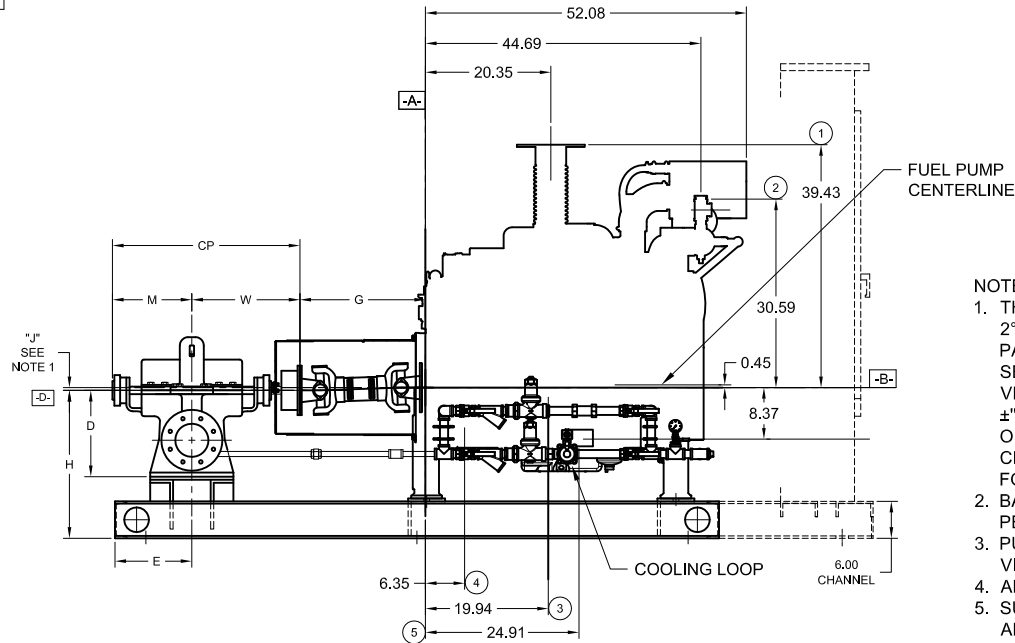
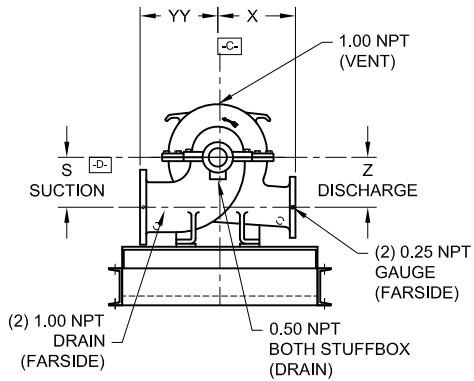
ITEM NO.	DESCRIPTION	CONNECTION SIZE
①	EXHAUST OUTLET CONNECTION	6" 150# FLG EXHAUST
②	RAW WATER OUTLET	SEE NOTE 6
③	FUEL SUPPLY CONNECTION (FARSIDE)	1/2" NPTF
④	FUEL RETURN CONNECTION (FARSIDE)	3/8" NPTF
⑤	HEATER JUNCTION BOX	VOLTAGE REQUIREMENTS: AC CONNECTION HEATER 2000 WATTS STD- 115 VAC ±5%-10% OPT- 230 VAC ±5%-10%

UL LISTED DRIVESHAFT				
ENGINE MODEL	DRIVESHAFT MODEL	DIM: G	DIM: J	DIM: K
ZF6H-UFAC60, AC70	CDS50-SC	20.38	0.45	0.11

*1470, 1760 & 2100 RPM ONLY

NON-LISTED DRIVESHAFT	
ENGINE MODEL	DRIVESHAFT MODEL
ZF6H-UFAC60, AC70	SC81A**

**2350 & 2650 RPM ONLY



- NOTES:**
1. THE DRIVE SHAFT IS DESIGNED TO OPERATE AT A 2° ANGLE WITH THE INPUT AND OUTPUT SHAFTS IN PARALLEL. THE ENGINE CRANKSHAFT IS TO BE SET WITH A PARALLEL OFFSET OF "J" ± "K" INCHES VERTICALLY ABOVE THE PUMP SHAFT AND 0.00" ±"K" INCH PARALLEL OFFSET HORIZONTALLY RIGHT OR LEFT OF THE PUMP SHAFT. REFER TO THE CERTIFIED DRIVESHAFT INSTRUCTIONS MANUAL FOR ALIGNMENT INSTRUCTIONS.
 2. BASE MUST BE COMPLETELY FILLED WITH GROUT PER NFPA 20.
 3. PUMP IS CW (CLOCKWISE) ROTATION WHEN VIEWED FROM THE COUPLING END.
 4. ALL DIMENSIONS ARE IN INCHES.
 5. SUCTION AND DISCHARGE FLANGES DRILLED PER ANSI B16.1 (IF APPLICABLE).
 6. RAW WATER DRAIN PIPING SIZE VARIES BASED UPON SITE CONDITIONS. ENGINE CONN. SIZE: 1-1/4" NPT

PUMP TYPE	PUMP SIZE		DIMENSIONS											
	SUCT.	DISCH.	A	B	H	E	M	W	CP	D	YY	X	S	Z
12x8x21 F	12	8	118	54	28	21.75	21.75	28.25	50.00	19.00	21.00	21.00	12.00	12.00
12x8x22 F	12	8	118	54	28	21.75	21.75	28.25	50.00	19.00	21.00	21.00	12.00	12.00
14x10x20 F	14	10	118	54	31	19.50	23.75	30.50	54.25	21.00	21.00	19.00	13.00	13.00
16x12x23 F	16	12	118	54	30	19.50	23.75	30.50	54.25	23.00	25.00	25.00	14.00	14.00

NOT FOR CONSTRUCTION, INSTALLATION OR APPLICATION PURPOSES UNLESS CERTIFIED.								
CERTIFIED FOR:							APPROVAL	
CUSTOMER ORDER NO:							IDENTIFICATION NO:	
PUMP DATA							FLANGES	
ENGINE DATA							MAX ALTITUDE	
SHOP ORDER:							DATE:	
CERTIFIED BY:				TOTAL WEIGHT		DATE:		