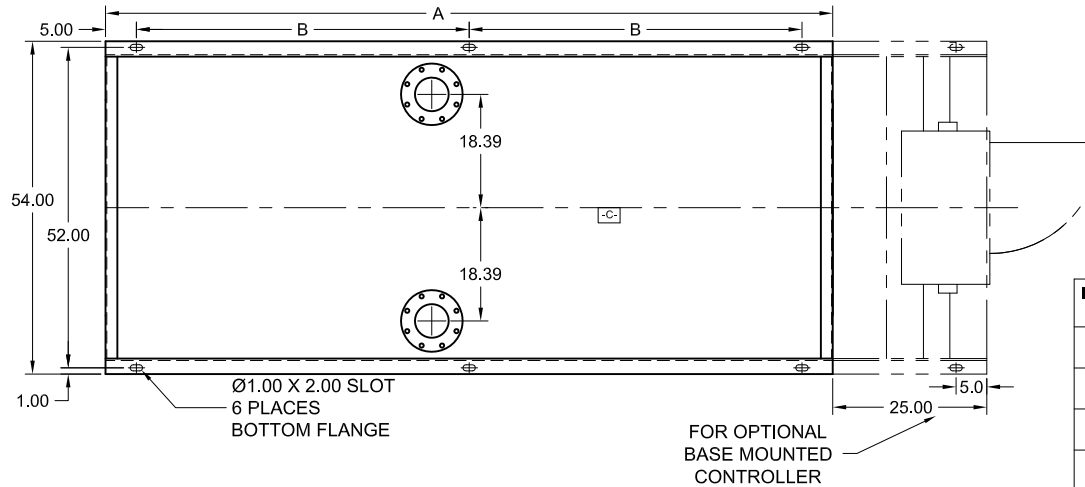


CLARKE FIRE PUMP DRIVERS
NON-EMISSION ENGINE MODELS
HSC 9100 SERIES PUMPS

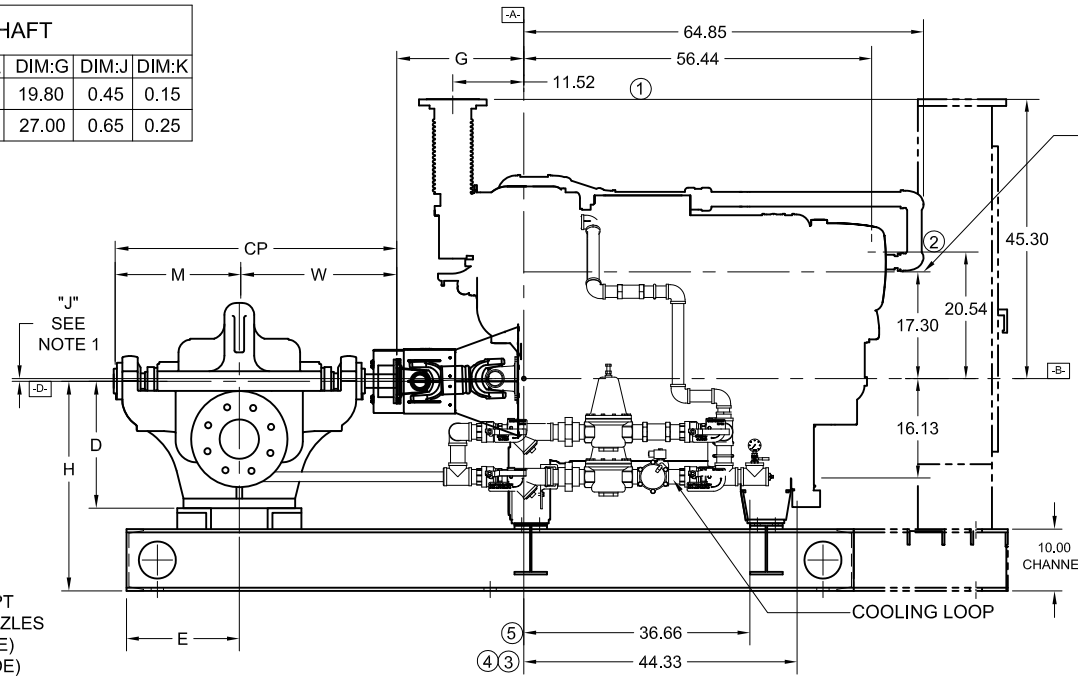
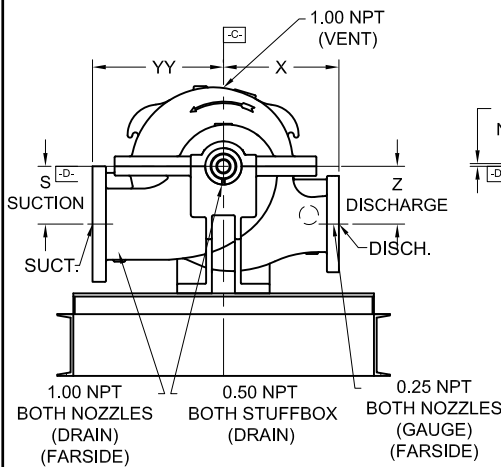


- A- MOUNTING FACE OF FLYWHEEL
- B- ENGINE CRANKSHAFT HORIZONTAL CENTERLINE
- C- ENGINE CRANKSHAFT VERTICAL CENTERLINE
- D- PUMP SHAFT HORIZONTAL CENTERLINE



ITEM NO.	DESCRIPTION	CONNECTION SIZE
①	EXHAUST OUTLET CONNECTION	6" 150# FLG.
②	RAW WATER OUTLET	SEE NOTE 6.
③	FUEL SUPPLY CONNECTION -FARSIDE	3/4" NPTF
④	FUEL RETURN CONNECTION -FARSIDE	1/2" NPTF
⑤	HEATER JUNCTION BOX	VOLTAGE REQUIREMENTS: DUAL AC CONNECTION HEATER 2500 WATTS STD- 230 VAC ±5%-10% OPT- 115 VAC ±5%-10%

NON-LISTED DRIVESHAFT				
ENGINE MODEL	DRIVESHAFT MODEL	DIM:G	DIM:J	DIM:K
DT2H-UFAA60	SC2160A	19.80	0.45	0.15
DT2H-UFAA92, -98	SC2390	27.00	0.65	0.25



FUEL PUMP CENTERLINE

NOTES:

- THE DRIVE SHAFT IS DESIGNED TO OPERATE AT A 2° ANGLE WITH THE INPUT AND OUTPUT SHAFTS IN PARALLEL. THE ENGINE CRANKSHAFT IS TO BE SET WITH A PARALLEL OFFSET OF "J" ± "K" INCHES VERTICALLY ABOVE THE PUMP SHAFT AND 0.00" ± "K" INCHES PARALLEL OFFSET HORIZONTALLY RIGHT OR LEFT OF THE PUMP SHAFT. REFER TO THE CERTIFIED DRIVESHAFT INSTRUCTIONS MANUAL FOR ALIGNMENT INSTRUCTIONS.
- BASE MUST BE COMPLETELY FILLED WITH GROUT PER NFPA 20.
- PUMP IS CW (CLOCKWISE) ROTATION WHEN VIEWED FROM THE COUPLING END.
- ALL DIMENSIONS ARE IN INCHES.
- SUCTION AND DISCHARGE FLANGES DRILLED PER ANSI B16.1 (IF APPLICABLE).
- RAW WATER DRAIN PIPING SIZE VARIES BASED UPON SITE CONDITIONS. ENGINE CONN. SIZE: 1-1/2" NPT.

ENGINE MODEL- DT2H-UFAA60 WITH DRIVESHAFT MODEL SC2160A														
PUMP TYPE	PUMP SIZE		DIMENSIONS											
	SUCT.	DISCH.	A	B	H	E	M	W	CP	D	YY	X	S	Z
14X10X20F	14	10	128	59	36	19.50	23.75	30.50	54.25	21.00	21.00	19.00	13.00	13.00

ENGINE MODEL- DT2H-UFAA92, -UFAA98 WITH DRIVESHAFT MODEL SC2390														
PUMP TYPE	PUMP SIZE		DIMENSIONS											
	SUCT.	DISCH.	A	B	H	E	M	W	CP	D	YY	X	S	Z
14X10X20F	14	10	138	64	36	19.50	23.75	30.50	54.25	21.00	21.00	19.00	13.00	13.00

NOT FOR CONSTRUCTION, INSTALLATION OR APPLICATION PURPOSES UNLESS CERTIFIED.							
CERTIFIED FOR:						APPROVAL	
CUSTOMER ORDER NO:						IDENTIFICATION NO:	
PUMP DATA	SIZE	MODEL	CURVE NO.	GPM	HEAD (FT.)	ROTATION	FLANGES
	MAKE	MODEL	HP	RPM	VOLTAGE	POLARITY	SUCTION DISCHARGE
ENGINE DATA	CLARKE					NEG.	MAX ALTITUDE
SHOP ORDER:			CERTIFIED BY:		TOTAL WEIGHT		DATE: