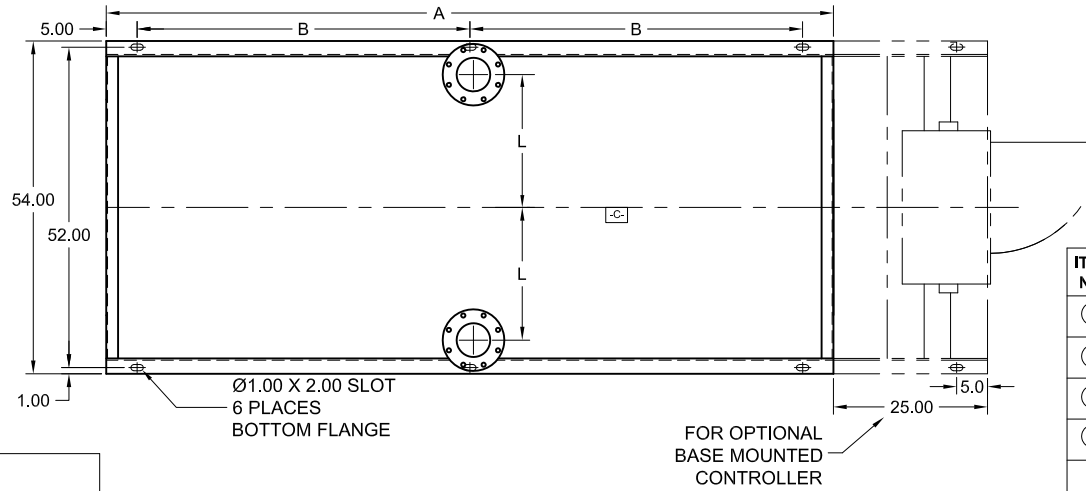


CLARKE FIRE PUMP DRIVERS
NON-EMISSION ENGINE MODELS
HSC 8150 SERIES PUMPS



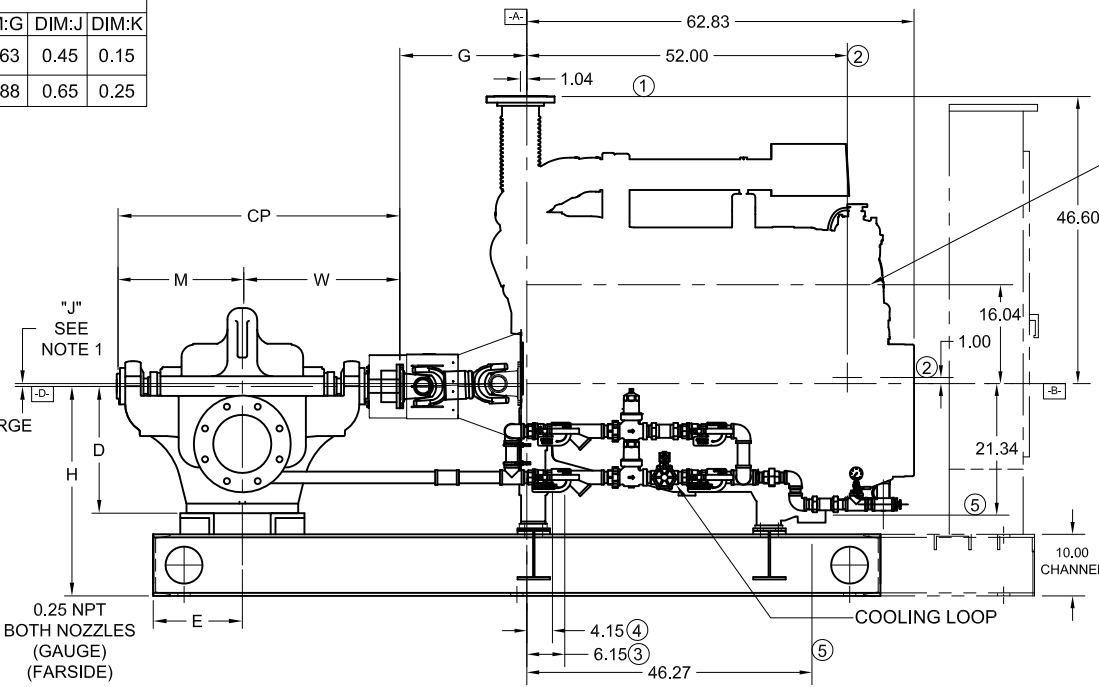
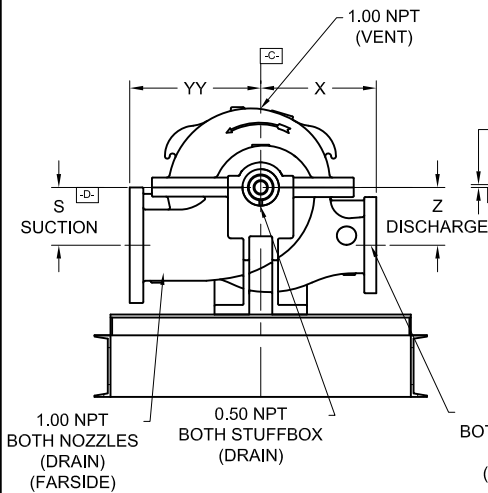
- A- MOUNTING FACE OF FLYWHEEL
- B- ENGINE CRANKSHAFT HORIZONTAL CENTERLINE
- C- ENGINE CRANKSHAFT VERTICAL CENTERLINE
- D- PUMP SHAFT HORIZONTAL CENTERLINE



ITEM NO.	DESCRIPTION	CONNECTION SIZE
①	EXHAUST OUTLET CONNECTION	6" 150# FLG.
②	RAW WATER OUTLET	SEE NOTE 6.
③	FUEL SUPPLY CONNECTION -FARSIDE	3/4" NPTF
④	FUEL RETURN CONNECTION -FARSIDE	1/2" NPTF
⑤	HEATER JUNCTION BOX	VOLTAGE REQUIREMENTS: AC CONNECTION HEATER 3500 WATTS STD- 230 VAC ±5%-10%

NON-LISTED DRIVESHAFT				
ENGINE MODEL	DRIVESHAFT MODEL	DIM:G	DIM:J	DIM:K
DT2H-UFAA20 -AA50, -AA58	SC2160A	20.63	0.45	0.15
DT2H-UFAA88	SC2390	27.88	0.65	0.25

EXHAUST TABLE	
ENGINE MODEL	DIM: L
DT2H-UFAA20, -UFAA58, -UFAA50	21.20
DT2H-UFAA88	21.73



- NOTES:
- THE DRIVE SHAFT IS DESIGNED TO OPERATE AT A 2° ANGLE WITH THE INPUT AND OUTPUT SHAFTS IN PARALLEL. THE ENGINE CRANKSHAFT IS TO BE SET WITH A PARALLEL OFFSET OF "J" ± "K" INCHES VERTICALLY ABOVE THE PUMP SHAFT AND 0.00" ± "K" INCHES PARALLEL OFFSET HORIZONTALLY RIGHT OR LEFT OF THE PUMP SHAFT. REFER TO THE CERTIFIED DRIVESHAFT INSTRUCTIONS MANUAL FOR ALIGNMENT INSTRUCTIONS.
 - BASE MUST BE COMPLETELY FILLED WITH GROUT PER NFPA 20.
 - PUMP IS CW (CLOCKWISE) ROTATION WHEN VIEWED FROM THE COUPLING END.
 - ALL DIMENSIONS ARE IN INCHES.
 - SUCTION AND DISCHARGE FLANGES DRILLED PER ANSI B16.1 (IF APPLICABLE).
 - RAW WATER DRAIN PIPING SIZE VARIES BASED UPON SITE CONDITIONS. ENGINE CONN. SIZE: 1-1/2" NPT

ENGINE MODEL- DT2H-UFAA20,-AA50, -AA58 WITH DRIVESHAFT MODEL SC2160A														
PUMP TYPE	PUMP SIZE		DIMENSIONS											
	SUCT.	DISCH.	A	B	H	E	M	W	CP	D	YY	X	S	Z
16X10X22	16	10	128	59	38	20.19	24.44	29.81	54.25	24.00	29.00	24.00	14.00	14.00

ENGINE MODEL- DT2H-UFAA88 WITH DRIVESHAFT MODEL SC2390														
PUMP TYPE	PUMP SIZE		DIMENSIONS											
	SUCT.	DISCH.	A	B	H	E	M	W	CP	D	YY	X	S	Z
16X10X22	16	10	138	64	38	20.19	24.44	29.81	54.25	24.00	29.00	24.00	14.00	14.00

NOT FOR CONSTRUCTION, INSTALLATION OR APPLICATION PURPOSES UNLESS CERTIFIED.

CERTIFIED FOR:							APPROVAL		UL	FM	ULC
CUSTOMER ORDER NO:				IDENTIFICATION NO:				FLANGES			
PUMP DATA	SIZE	MODEL	CURVE NO.	GPM	HEAD (FT.)	ROTATION	SUCTION	DISCHARGE			
	MAKE	MODEL	HP	RPM	VOLTAGE	POLARITY	MAX ALTITUDE				
ENGINE DATA	CLARKE				NEG.						
SHOP ORDER:			CERTIFIED BY:			TOTAL WEIGHT			DATE:		