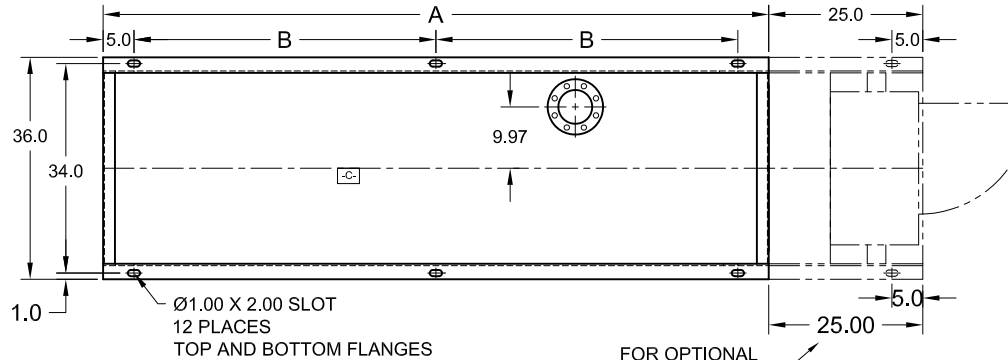


CLARKE FIRE PUMP DRIVERS
NON-EMISSION ENGINE MODELS
HSC 9100 SERIES PUMPS



- A- - MOUNTING FACE OF FLYWHEEL
- B- - ENGINE CRANKSHAFT HORIZONTAL CENTERLINE
- C- - ENGINE CRANKSHAFT VERTICAL CENTERLINE
- D- - PUMP SHAFT HORIZONTAL CENTERLINE

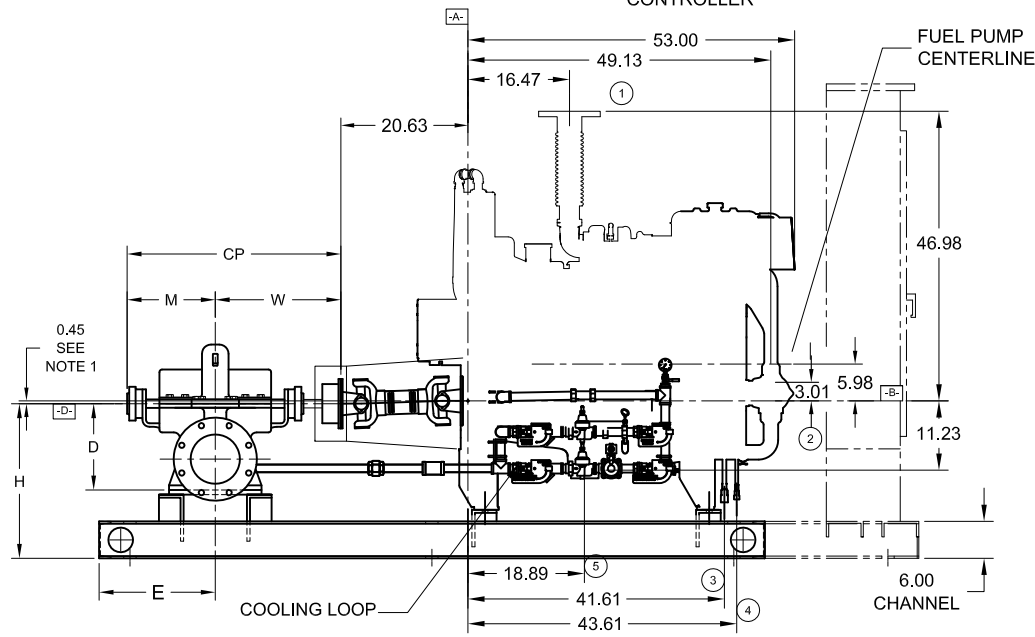
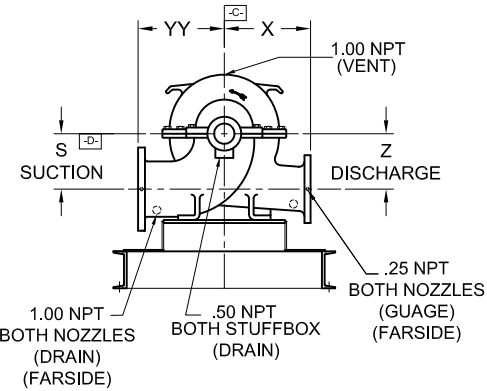


ITEM NO.	DESCRIPTION	CONNECTION SIZE
①	EXHAUST OUTLET CONNECTION	SEE EXHAUST LISTING
②	RAW WATER OUTLET	SEE NOTE 6.
③	FUEL SUPPLY CONNECTION	1/2" NPTF
④	FUEL RETURN CONNECTION	3/8" NPTF
⑤	HEATER JUNCTION BOX	VOLTAGE REQUIREMENTS: AC CONNECTION HEATER 1500 WATTS STD- 230 VAC ±5%-10% OPT- 115 VAC ±5%-10%

UL LISTED DRIVESHAFT*	
ENGINE MODEL	DRIVESHAFT MODEL
DP6H-UFAA50, 88, 70, X8	CDS50-SC
*For engine with speed of 1470 to 2100 RPM only.	

NON-LISTED DRIVESHAFT**	
ENGINE MODEL	DRIVESHAFT MODEL
DP6H-UFAA50, 62, 70	SC81A
**For engine with speed of greater than 2100 RPM only.	

EXHAUST CONNECTIONS	
ENGINE MODEL	EXHAUST MODEL
DP6H-UFAA50, 62, 88, X8	5" 150# FLANGE
DP6H-UFAA70	6" 150# FLANGE



- NOTES:
1. THE DRIVE SHAFT IS DESIGNED TO OPERATE AT A 2° ANGLE WITH THE INPUT AND OUTPUT SHAFTS IN PARALLEL. THE ENGINE CRANKSHAFT IS TO BE SET WITH A PARALLEL OFFSET OF 0.45 ±0.11 INCHES VERTICALLY ABOVE THE PUMP SHAFT AND 0.00" ±0.11 INCH PARALLEL OFFSET HORIZONTALLY RIGHT OR LEFT OF THE PUMP SHAFT. REFER TO THE CERTIFIED DRIVESHAFT INSTRUCTIONS MANUAL FOR ALIGNMENT INSTRUCTIONS.
 2. BASE MUST BE COMPLETELY FILLED WITH GROUT PER NFPA 20.
 3. PUMP IS CW (CLOCKWISE) ROTATION WHEN VIEWED FROM THE COUPLING END.
 4. ALL DIMENSIONS ARE IN INCHES.
 5. SUCTION AND DISCHARGE FLANGES DRILLED PER ANSI B16.1 (IF APPLICABLE).
 6. RAW WATER DRAIN PIPING SIZE VARIES BASED UPON SITE CONDITIONS. ENGINE CONN. SIZE: 1-1/4" NPT

PUMP TYPE	PUMP SIZE		DIMENSIONS											
	SUCT.	DISCH.	A	B	H	E	M	W	CP	D	YY	X	S	Z
12x8x21 F	12	8	118	54	28	21.75	21.75	28.25	50.00	19.00	21.00	21.00	12.00	12.00
12x8x22 F	12	8	118	54	28	21.75	21.75	28.25	50.00	19.00	21.00	21.00	12.00	12.00
14x10x20 F	14	10	108	49	30	19.50	23.75	30.50	54.25	21.00	21.00	19.00	13.00	13.00
16x12x23 F	16	12	108	49	32	19.50	23.75	30.50	54.25	23.00	25.00	25.00	14.00	14.00

NOT FOR CONSTRUCTION, INSTALLATION OR APPLICATION PURPOSES UNLESS CERTIFIED.							
CERTIFIED FOR:				APPROVAL			
CUSTOMER ORDER NO:				IDENTIFICATION NO:			
PUMP DATA	SIZE	MODEL	CURVE NO.	GPM	HEAD (FT.)	ROTATION	FLANGES
	MAKE	MODEL	HP	RPM	VOLTAGE	POLARITY	SUCTION
ENGINE DATA	CLARKE					NEG.	MAX ALTITUDE
SHOP ORDER:		CERTIFIED BY:			TOTAL WEIGHT		DATE:

ALL VIEWS 3rd ANGLE PROJECTION