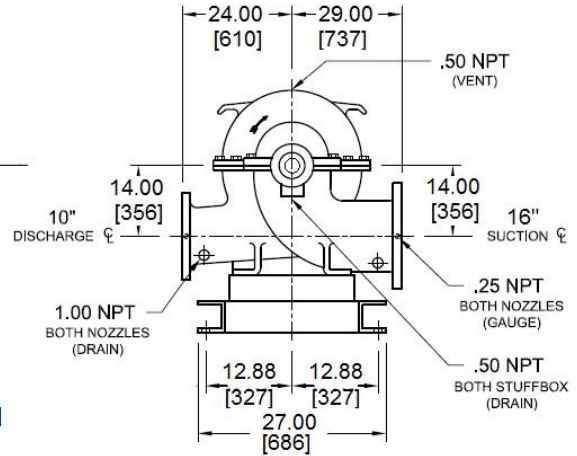
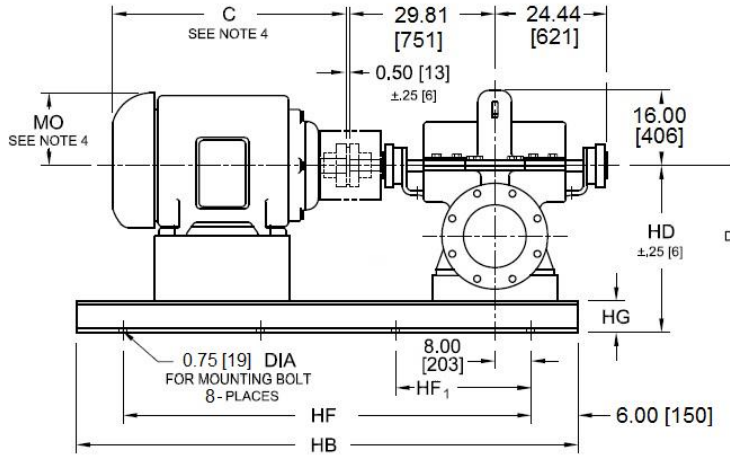


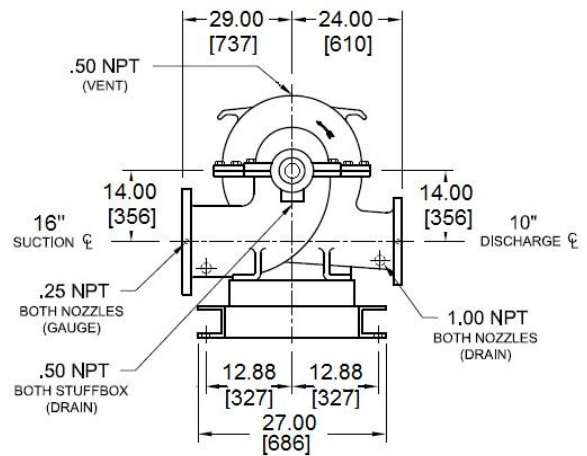
Supersedes all previous issues

(H)16x10x22F - 8150 SERIES



CW ROTATION VIEWED FROM COUPLING END

MOTOR FRAME	C	MO	HB	HF	HF ₁	HD	HG
447	47.60 [1210]	11.80 [300]	90.00 [2286]	78.00 [1981]	26.00 [660]	31.00 [787]	6.00 [153]
449	52.6 [1337]	12.1 [308]					



CCW ROTATION VIEWED FROM COUPLING END

NOTES :

- ALL DIMENSIONS ARE INCHES [mm].
- SUCTION AND DISCHARGE CONNECTIONS ARE DRILLED PER 125# ANSI B16.1. PUMPS WITH "H" PREFIX HAVE DISCHARGE CONNECTION DRILLED PER 250# ANSI B16.1. FLANGE HOLES STRADDLE CENTERLINE.
- BASE PLATE SETTING (BEFORE PIPING), GROUTING PROCEDURES, AND FINAL ALIGNMENT MUST BE IN ACCORDANCE WITH A-C FIRE PUMPS SYSTEMS RECOMMENDED PROCEDURES OUTLINED IN THE INSTRUCTION MANUAL ASSOCIATED WITH THIS PUMP TYPE.
- MOTOR DIMENSIONS ARE APPROXIMATE FOR A GIVEN NEMA FRAME, CONSULT FACTORY IF SPACE IS LIMITED.
- BOTH SUCTION AND DISCHARGE PIPES MUST BE SUPPORTED INDEPENDENTLY NEAR THE PUMP TO REDUCE STRAIN ON THE PUMP CASING. ALSO EXPANSION JOINTS, IF USED, MUST NOT EXERT FORCE ON CASING.
- COUPLING GUARD MEETS ANSI/OSHA REQUIREMENTS.
- CONSULT FACTORY FOR BASE MOUNTED CONTROLLER.

NOT FOR CONSTRUCTION, INSTALLATION OR APPLICATION PURPOSES UNLESS CERTIFIED								
CERTIFIED FOR:						APPROVAL <input type="checkbox"/> UL <input type="checkbox"/> FM <input type="checkbox"/> ULC		
CUSTOMER ORDER NO.:			TAG NO.			FLANGES		
PUMP DATA	SIZE	MODEL	CURVE NO.	GPM	HEAD	ROTATION	SUCTION	DISCH.
	HP	RPM	VOLTS	PHASE	HERTZ	FRAME SIZE	ENCLOSURE	
MOTOR DATA								
SHOP ORDER:			CERTIFIED BY:			DATE:		