

SUPERSEDES ALL PREVIOUS ISSUES

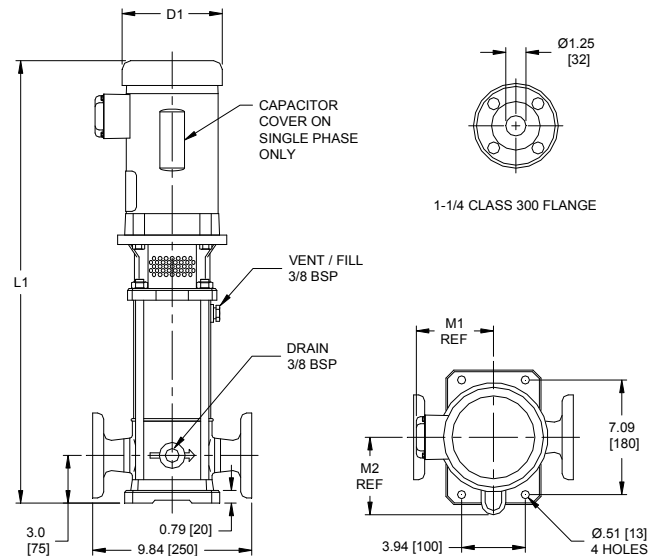
CONSTRUCTION: 304 STAINLESS STEEL
NOMINAL FLOW: 9 GPM
CAPACITIES: 2 - 12 GALLONS PER MINUTE
HEADS: 13 – 372 PSI TDH
STAGING: 2 – 30
MINIMUM FLOW: 2 GPM
MAXIMUM WORKING PRESSURE: 360 PSI (25 BAR) FOR THE ANSI FLANGE VERSION
TEMPERATURES: STANDARD LIQUID TEMPERATURES FROM -20°F TO 250°F (-30°C TO 120°C)

1SV (e-SV)
50 Hz 2900 RPM

MOTOR

- STANDARD NEMA TC FRAME MOTORS IN OPEN DRIP PROOF OR TOTALLY ENCLOSED FAN COOLED ENCLOSURES.
- STANDARD VOLTAGE:
 - SINGLE PHASE: 115-208/230V UP TO 2 HP OR 208-230V FOR 3 HP
 - THREE PHASE, 2 POLE: 208-230/460V, 50 HZ UP TO 60 HP

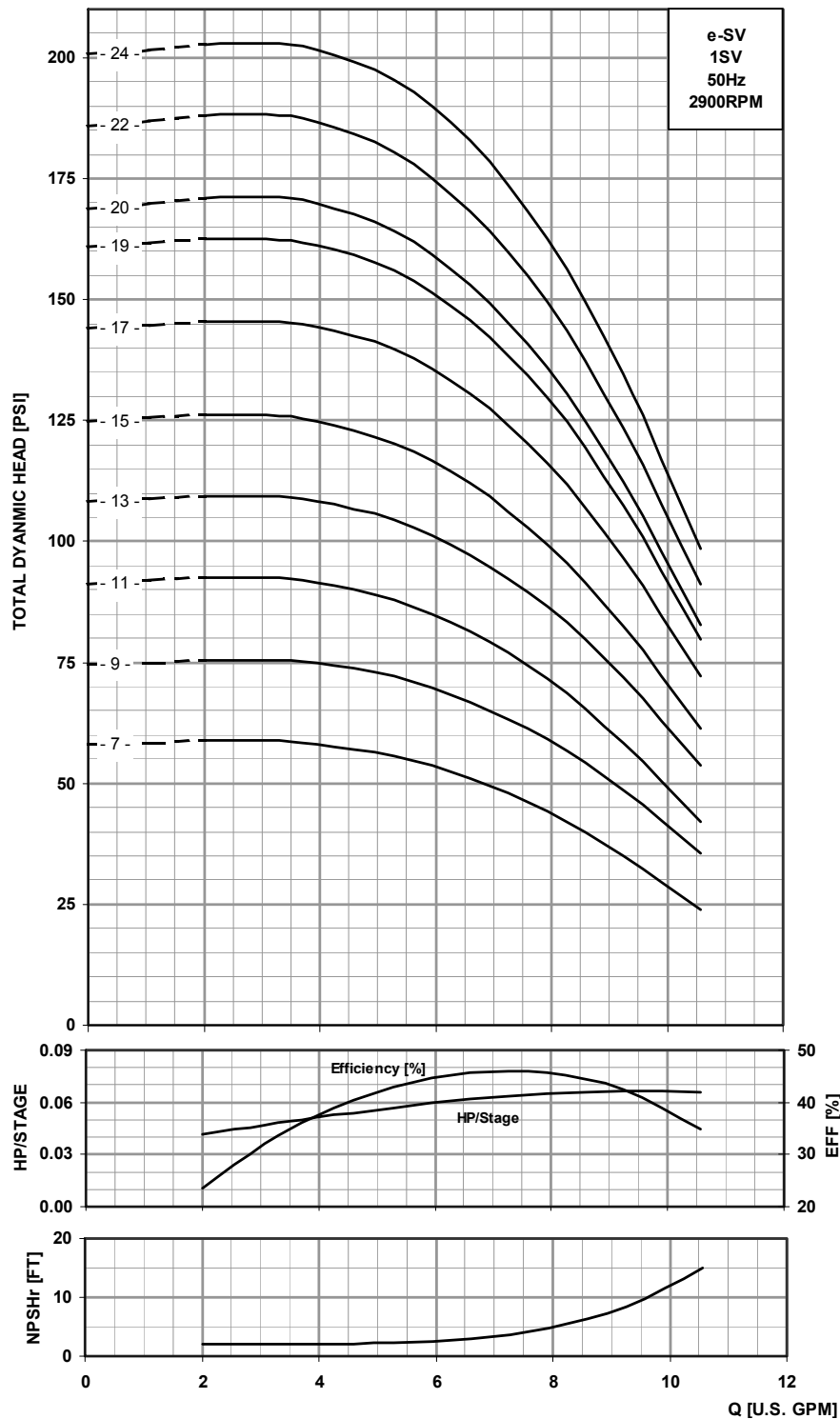
COMPONENT	MATERIAL		
PUMP BODY	AISI 304 STAINLESS STEEL		
IMPELLER	AISI 304 STAINLESS STEEL		
DIFFUSER	AISI 304 STAINLESS STEEL		
CASING	AISI 316L STAINLESS STEEL		
SHAFT	AISI 316 STAINLESS STEEL		
ADAPTER	ASTM CLASS 35/40B CAST IRON		
BASE	A384.0-F ALUMINUM		
COUPLING	A384.0-F ALUMINUM		
SEAL PLATE	AISI 316L STAINLESS STEEL		
ELASTOMERS	VITON (OPT. EPDM)		
COUPLING GUARD	AISI 304 STAINLESS STEEL		
SHAFT SLEEVE AND BUSHING	TUNGSTEN CARBIDE		
FILL/DRAIN PLUGS	AISI 316 STAINLESS STEEL		
TIE RODS	A29 GR. 1045 CARBON STEEL / ZINC PLATED		
WEAR RING	PPS		
SEAL GLAND	AISI 316 STAINLESS STEEL		
MECHANICAL SEAL			
CODE NO.	ROTATING FACE 1	STATIONARY FACE 2	ELASTOMERS 3
0	CARBON	SILICON CARBIDE GRAPHITE FILLED	VITON



STAGE	MOTOR				DIMENSIONS (IN.)										WEIGHT (LBS.)				
	HP	NEMA FRAME				L1				M (REF.)	D1 (MAX.)				PUMP & MOTOR				
		ODP 1Φ	ODP 3Φ	TEFC 1Φ	TEFC 3Φ	ODP 1Φ	ODP 3Φ	TEFC 1Φ	TEFC 3Φ		TEFC 1Φ	ODP 1Φ	TEFC 3Φ	ODP 3Φ	TEFC 1Φ	ODP 1Φ	TEFC 3Φ	ODP 3Φ	
7	1/2	56C				27.21	25.58	26.33	25.71	5.19	6.19				59	57	51	51	
9	3/4	56C				28.66	27.16	29.19	27.29	5.74	7.19	6.19				66	63	54	54
11						30.23	28.73	30.76	28.86	5.74						68	65	56	56
13	1	56C				31.80	30.30	32.33	30.43	5.74	7.19	6.19				70	67	58	58
15						33.39	33.91	32.63	5.74	77						69	65	67	
17	1 1/2	56C				34.96	35.48	34.20	5.74	7.19	6.19				79	71	67	69	
19						37.05	37.93	36.66	5.74						90	83	73	72	
20						37.84	38.72	37.45	5.74						91	84	74	73	
22						39.41	40.29	39.02	5.74						93	86	76	75	
24					40.99	41.87	40.60	5.74					96	89	79	78			

NOT FOR CONSTRUCTION, INSTALLATION OR APPLICATION PURPOSES UNLESS CERTIFIED.									
CERTIFIED FOR:									
CUSTOMER ORDER NO:					IDENTIFICATION NO:			FLANGES	
PUMP DATA	SIZE	MODEL	CURVE NO.	GPM	HEAD (FT)	ROTATION	SUCTION	DISCHARGE	
						CW	300 #	300 #	
MOTOR DATA	HP	RPM	VOLTS	PHASE	HERTZ	FRAME SIZE	ENCLOSURE		
SHOP ORDER:					CERTIFIED BY:			DATE	

SUPERSEDES ALL PREVIOUS ISSUES



NOT FOR CONSTRUCTION, INSTALLATION OR APPLICATION PURPOSES UNLESS CERTIFIED.									
CERTIFIED FOR:									
CUSTOMER ORDER NO:				IDENTIFICATION NO:			FLANGES		
PUMP DATA	SIZE	MODEL	CURVE NO.	GPM	HEAD (FT)	ROTATION	SUCTION	DISCHARGE	
						CW	300 #	300 #	
MOTOR DATA	HP	RPM	VOLTS	PHASE	HERTZ	FRAME SIZE	ENCLOSURE		
SHOP ORDER:				CERTIFIED BY:			DATE		

SUPERSEDES ALL PREVIOUS ISSUES

CONSTRUCTION: 304 STAINLESS STEEL
NOMINAL FLOW: 15 GPM
CAPACITIES: 3 - 22 GALLONS PER MINUTE
HEADS: 17 - 470 PSI TDH
STAGING: 2 - 30
MINIMUM FLOW: 3 GPM
MAXIMUM WORKING PRESSURE: 360 PSI (25 BAR) FOR THE ANSI FLANGE VERSION
TEMPERATURES: STANDARD LIQUID TEMPERATURES FROM -20°F TO 250°F (-30°C TO 120°C)

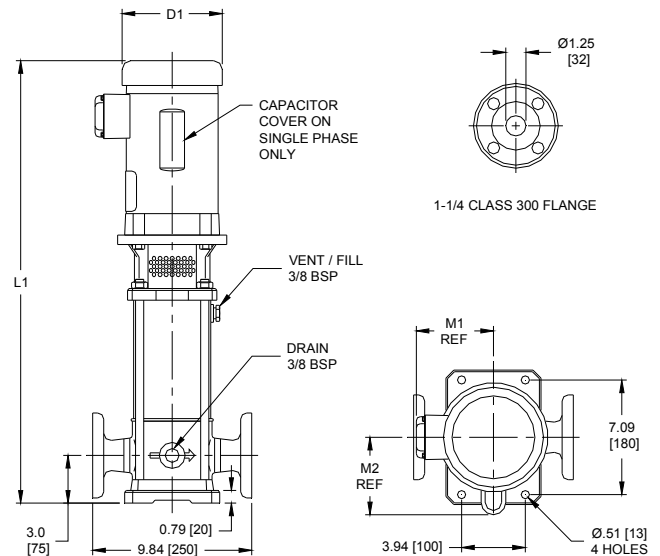
3SV (e-SV)
50 Hz 2900 RPM

MOTOR

- STANDARD NEMA TC FRAME MOTORS IN OPEN DRIP PROOF OR TOTALLY ENCLOSED FAN COOLED ENCLOSURES.
- STANDARD VOLTAGE:
 - SINGLE PHASE: 115-208/230V UP TO 2 HP OR 208-230V FOR 3 HP
 - THREE PHASE, 2 POLE: 208-230/460V, 50 HZ UP TO 60 HP

COMPONENT	MATERIAL
PUMP BODY	AISI 304 STAINLESS STEEL
IMPELLER	AISI 304 STAINLESS STEEL
DIFFUSER	AISI 304 STAINLESS STEEL
CASING	AISI 316L STAINLESS STEEL
SHAFT	AISI 316 STAINLESS STEEL
ADAPTER	ASTM CLASS 35/40B CAST IRON
BASE	A384.0-F ALUMINUM
COUPLING	A384.0-F ALUMINUM
SEAL PLATE	AISI 316L STAINLESS STEEL
ELASTOMERS	VITON (OPT. EPDM)
COUPLING GUARD	AISI 304 STAINLESS STEEL
SHAFT SLEEVE AND BUSHING	TUNGSTEN CARBIDE
FILL/DRAIN PLUGS	AISI 316 STAINLESS STEEL
TIE RODS	A29 GR. 1045 CARBON STEEL / ZINC PLATED
WEAR RING	PPS
SEAL GLAND	AISI 316 STAINLESS STEEL

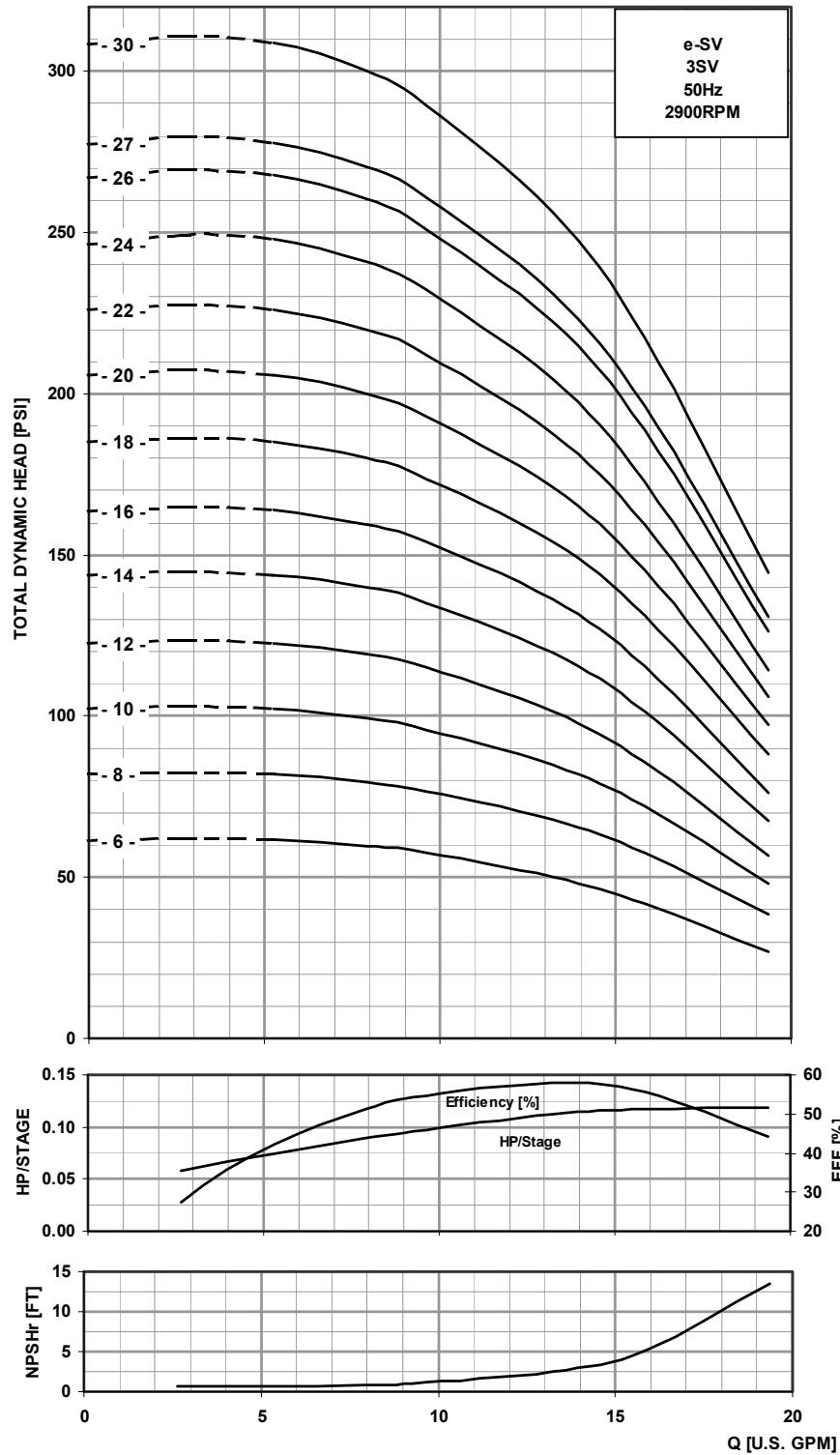
MECHANICAL SEAL	CODE NO.	ROTATING FACE 1	STATIONARY FACE 2	ELASTOMERS 3
	0	CARBON	SILICON CARBIDE GRAPHITE FILLED	VITON



STAGE	MOTOR				DIMENSIONS (IN.)										WEIGHT (LBS.)			
	HP	NEMA FRAME			L1				M (REF.)	D1 (MAX.)				PUMP & MOTOR				
		ODP 1Φ	ODP 3Φ	TEFC 1Φ	TEFC 3Φ	ODP 1Φ	ODP 3Φ	TEFC 1Φ		TEFC 3Φ	TEFC 1Φ	ODP 1Φ	TEFC 3Φ	ODP 3Φ	TEFC 1Φ	ODP 1Φ	TEFC 3Φ	ODP 3Φ
6	3/4	56C			26.29	24.79	26.82	24.92	5.74	7.19	6.19				63	60	51	51
8	1	56C			27.87	26.37	28.40	26.50	5.74	7.19	6.19				71	63	59	61
10					29.45	29.97	28.69	5.74	73						65	61	63	
12	1 1/2	56C			31.54	32.42	31.15	5.74	7.19	6.19				86	79	69	68	
14					33.11	33.99	32.72	5.74						87	80	70	69	
16					34.69	35.57	34.30	5.74						89	82	72	71	
18	2	56C			36.65	36.26	38.52	36.24	5.75	7.19	6.62	7.19	7.16	93	90	85	82	
20					38.23	37.84	40.10	37.82	5.75					95	92	87	84	
22	3	184TC	182TC	184TC	42.86	41.48	44.36	42.86	6.87	8.86	8.88	8.86	9.02	124	128	116	109	
24					44.44	43.06	45.94	44.44	6.87					125	129	117	110	
26					46.01	44.63	47.51	46.01	6.87					130	134	122	115	
27					46.40	45.02	47.90	46.40	6.87					130	134	122	115	
30					49.16	47.78	50.66	49.16	6.87					132	136	124	117	

NOT FOR CONSTRUCTION, INSTALLATION OR APPLICATION PURPOSES UNLESS CERTIFIED.									
CERTIFIED FOR:									
CUSTOMER ORDER NO:					IDENTIFICATION NO:			FLANGES	
PUMP DATA	SIZE	MODEL	CURVE NO.	GPM	HEAD (FT)	ROTATION	SUCTION	DISCHARGE	
						CW	300 #	300 #	
MOTOR DATA	HP	RPM	VOLTS	PHASE	HERTZ	FRAME SIZE	ENCLOSURE		
SHOP ORDER:			CERTIFIED BY:				DATE		

SUPERSEDES ALL PREVIOUS ISSUES



NOT FOR CONSTRUCTION, INSTALLATION OR APPLICATION PURPOSES UNLESS CERTIFIED.								
CERTIFIED FOR:								
CUSTOMER ORDER NO:			IDENTIFICATION NO:				FLANGES	
PUMP DATA	SIZE	MODEL	CURVE NO.	GPM	HEAD (FT)	ROTATION	SUCTION	DISCHARGE
						CW	300 #	300 #
MOTOR DATA	HP	RPM	VOLTS	PHASE	HERTZ	FRAME SIZE	ENCLOSURE	
SHOP ORDER:			CERTIFIED BY:			DATE		

SUPERSEDES ALL PREVIOUS ISSUES

- CONSTRUCTION:** 304 STAINLESS STEEL
NOMINAL FLOW: 30 GPM
CAPACITIES: 7 - 45 GALLONS PER MINUTE
HEADS: 17 - 422 PSI TDH
STAGING: 2 - 27
MINIMUM FLOW: 7 GPM
MAXIMUM WORKING PRESSURE: 360 PSI (25 BAR) FOR THE ANSI FLANGE VERSION
TEMPERATURES: STANDARD LIQUID TEMPERATURES FROM -20°F TO 250°F (-30°C TO 120°C)

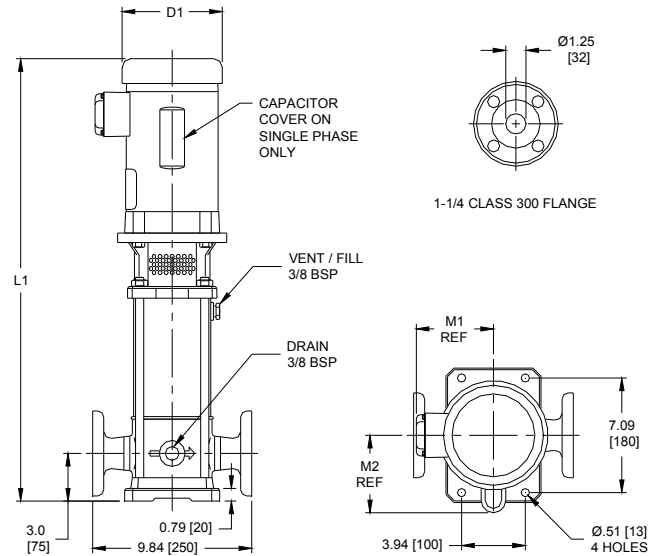
5SV (e-SV)
50 Hz 2900 RPM

MOTOR

- STANDARD NEMA TC FRAME MOTORS IN OPEN DRIP PROOF OR TOTALLY ENCLOSED FAN COOLED ENCLOSURES.
- STANDARD VOLTAGE:
 - SINGLE PHASE: 115-208/230V UP TO 2 HP OR 208-230V FOR 3 HP
 - THREE PHASE, 2 POLE: 208-230/460V, 50 HZ UP TO 60 HP

COMPONENT	MATERIAL
PUMP BODY	AISI 304 STAINLESS STEEL
IMPELLER	AISI 304 STAINLESS STEEL
DIFFUSER	AISI 304 STAINLESS STEEL
CASING	AISI 316L STAINLESS STEEL
SHAFT	AISI 316 STAINLESS STEEL
ADAPTER	ASTM CLASS 35/40B CAST IRON
BASE	A384.0-F ALUMINUM
COUPLING	A384.0-F ALUMINUM
SEAL PLATE	AISI 316L STAINLESS STEEL
ELASTOMERS	VITON (OPT. EPDM)
COUPLING GUARD	AISI 304 STAINLESS STEEL
SHAFT SLEEVE AND BUSHING	TUNGSTEN CARBIDE
FILL/DRAIN PLUGS	AISI 316 STAINLESS STEEL
TIE RODS	A29 GR. 1045 CARBON STEEL / ZINC PLATED
WEAR RING	PPS
SEAL GLAND	AISI 316 STAINLESS STEEL

MECHANICAL SEAL	CODE NO.	ROTATING FACE 1	STATIONARY FACE 2	ELASTOMERS 3
	0	CARBON	SILICON CARBIDE GRAPHITE FILLED	VITON



STAGE	HP	MOTOR				DIMENSIONS (IN.)								WEIGHT (LBS.)				
		NEMA FRAME				L1				M (REF.)	D1 (MAX.)				PUMP & MOTOR			
		ODP 1Φ	ODP 3Φ	TEFC 1Φ	TEFC 3Φ	ODP 1Φ	ODP 3Φ	TEFC 1Φ	TEFC 3Φ		TEFC 1Φ	ODP 1Φ	TEFC 3Φ	ODP 3Φ	TEFC 1Φ	ODP 1Φ	TEFC 3Φ	ODP 3Φ
6	1	56C				27.48		28.00	26.72	5.74	7.19	6.19			70	62	58	60
8	1 1/2	56C				29.96		30.84	29.57	5.74	7.19		6.19	83	76	66	65	
10	2	56C				32.32	31.93	34.19	31.91	5.75	7.19	6.62	7.19	7.16	86	83	78	75
12						34.29	33.90	36.16	33.88	5.75					89	86	81	78
14	3	184TC	182TC	184TC	39.32	37.94	40.82	39.32	6.87	8.86	8.88	8.86	9.02	118	122	110	103	
15					40.30	38.92	41.80	40.30	6.87					119	123	111	104	
17					42.47	41.09	43.97	42.47	6.87					121	125	113	106	
18					43.26	41.88	44.76	43.26	6.87					124	128	116	109	
20	5	213TC	184TC	213TC	45.57	45.62	47.22	47.12	8.05	10.62	8.89	8.86	8.88	147	149	137	124	
21					46.16	46.21	47.81	47.71	8.05					148	150	138	125	
23					48.13	48.18	49.78	49.68	8.05					150	152	140	127	

NOT FOR CONSTRUCTION, INSTALLATION OR APPLICATION PURPOSES UNLESS CERTIFIED.									
CERTIFIED FOR:									
CUSTOMER ORDER NO:					IDENTIFICATION NO:			FLANGES	
PUMP DATA	SIZE	MODEL	CURVE NO.	GPM	HEAD (FT)	ROTATION	SUCTION	DISCHARGE	
						CW	300 #	300 #	
MOTOR DATA	HP	RPM	VOLTS	PHASE	HERTZ	FRAME SIZE	ENCLOSURE		
SHOP ORDER:					CERTIFIED BY:			DATE	



a xylem brand

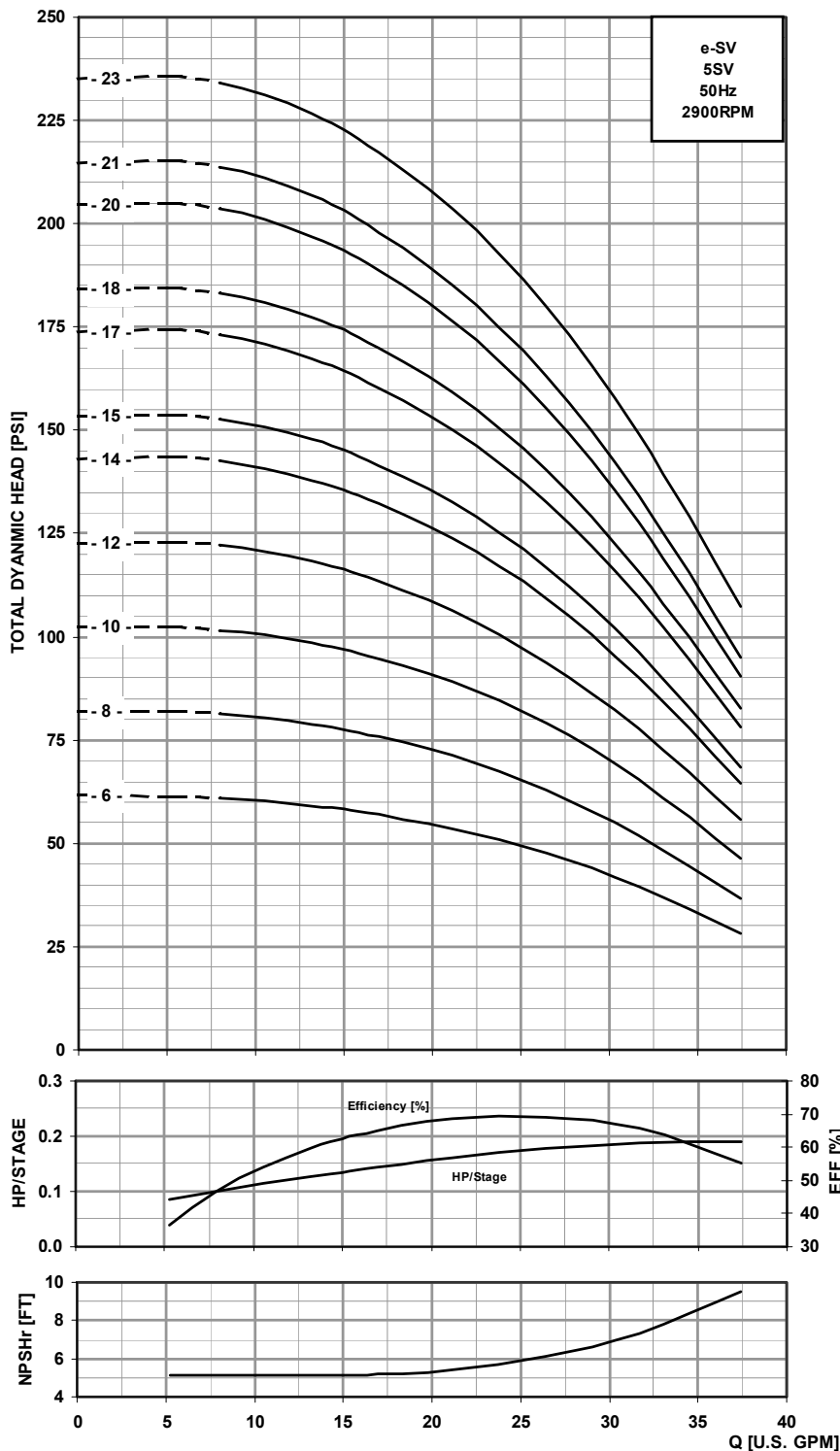
DIMENSIONS AND ENGINEERING DATA
VERTICAL MULTI STAGE JOCKEY PUMPS
e-SV SERIES

FP 4.0

PAGE 312

SEPT 2013

SUPERSEDES ALL PREVIOUS ISSUES



NOT FOR CONSTRUCTION, INSTALLATION OR APPLICATION PURPOSES UNLESS CERTIFIED.								
CERTIFIED FOR:								
CUSTOMER ORDER NO:				IDENTIFICATION NO:			FLANGES	
PUMP DATA	SIZE	MODEL	CURVE NO.	GPM	HEAD (FT)	ROTATION	SUCTION 300 #	DISCHARGE 300 #
	HP	RPM	VOLTS	PHASE	HERTZ	CW	ENCLOSURE	
MOTOR DATA						FRAME SIZE		
SHOP ORDER:			CERTIFIED BY:			DATE		