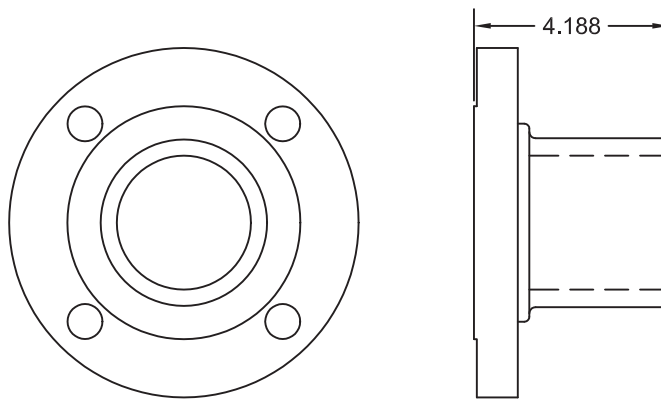


HOSE HEADER

SIZE	3"
CONNECTION	150# R.F. FLANGE
VALVE CONNECTIONS	(1) 2-1/2" NPT
MAX NFPA FLOW	300 GPM
BODY MATERIAL	FABRICATED STEEL
MAX W.P.	175 PSI
WEIGHT	15 LBS

**NOT FOR CONSTRUCTION, INSTALLATION OR APPLICATION PURPOSES UNLESS CERTIFIED**

CERTIFIED FOR:

CUSTOMER ORDER NO.:

TAG NO.

SHOP ORDER:

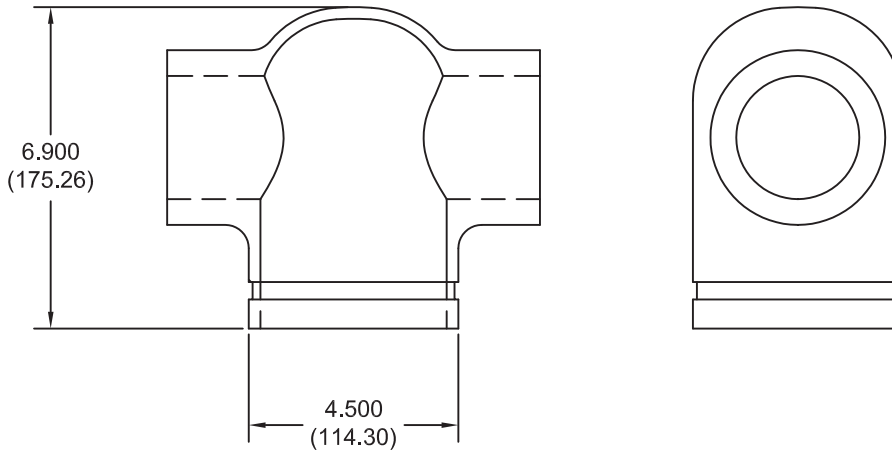
CERTIFIED BY:

DATE:

DIMENSIONS IN INCHES (mm)

HOSE HEADER

SIZE	4"
CONNECTION	GROOVED
VALVE CONNECTIONS	(2) 2-1/2" NPT
MAX NFPA FLOW	500 GPM
BODY MATERIAL	CAST STEEL
	ASTM A216 GR. WCB
MAX W.P.	300 PSI
WEIGHT	15 LBS

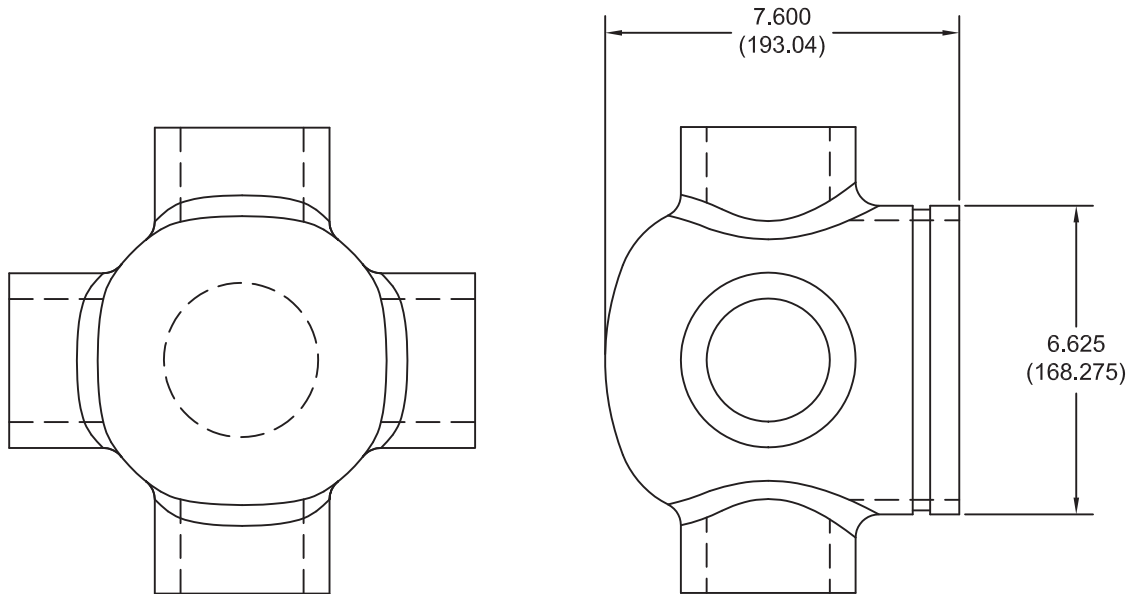


NOT FOR CONSTRUCTION, INSTALLATION OR APPLICATION PURPOSES UNLESS CERTIFIED		
CERTIFIED FOR:		
CUSTOMER ORDER NO.:	TAG NO.	
SHOP ORDER:	CERTIFIED BY:	DATE:

DIMENSIONS IN INCHES (mm)

HOSE HEADER

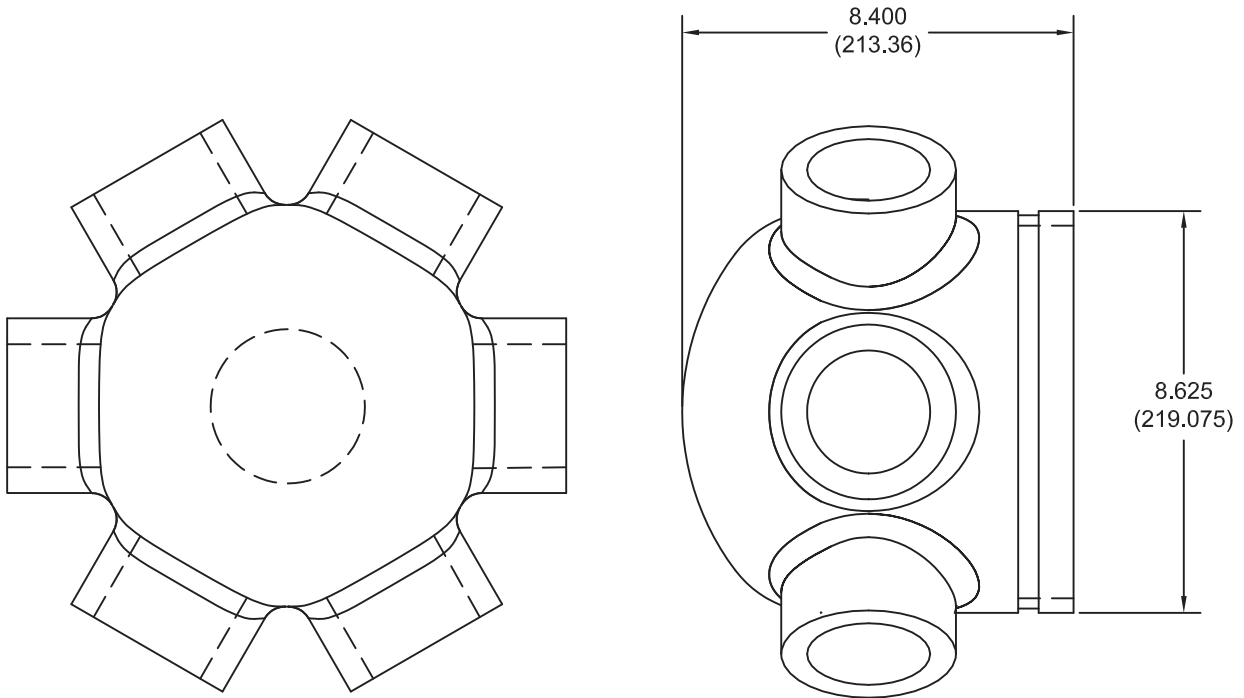
SIZE	6"
CONNECTION	GROOVED
VALVE CONNECTIONS	(4) 2-1/2" NPT
MAX NFPA FLOW	1000 GPM
BODY MATERIAL	CAST STEEL
	ASTM A216 GR. WCB
MAX W.P.	300 PSI
WEIGHT	25 LBS



NOT FOR CONSTRUCTION, INSTALLATION OR APPLICATION PURPOSES UNLESS CERTIFIED		
CERTIFIED FOR:		
CUSTOMER ORDER NO.:	TAG NO.	
SHOP ORDER:	CERTIFIED BY:	DATE:

HOSE HEADER

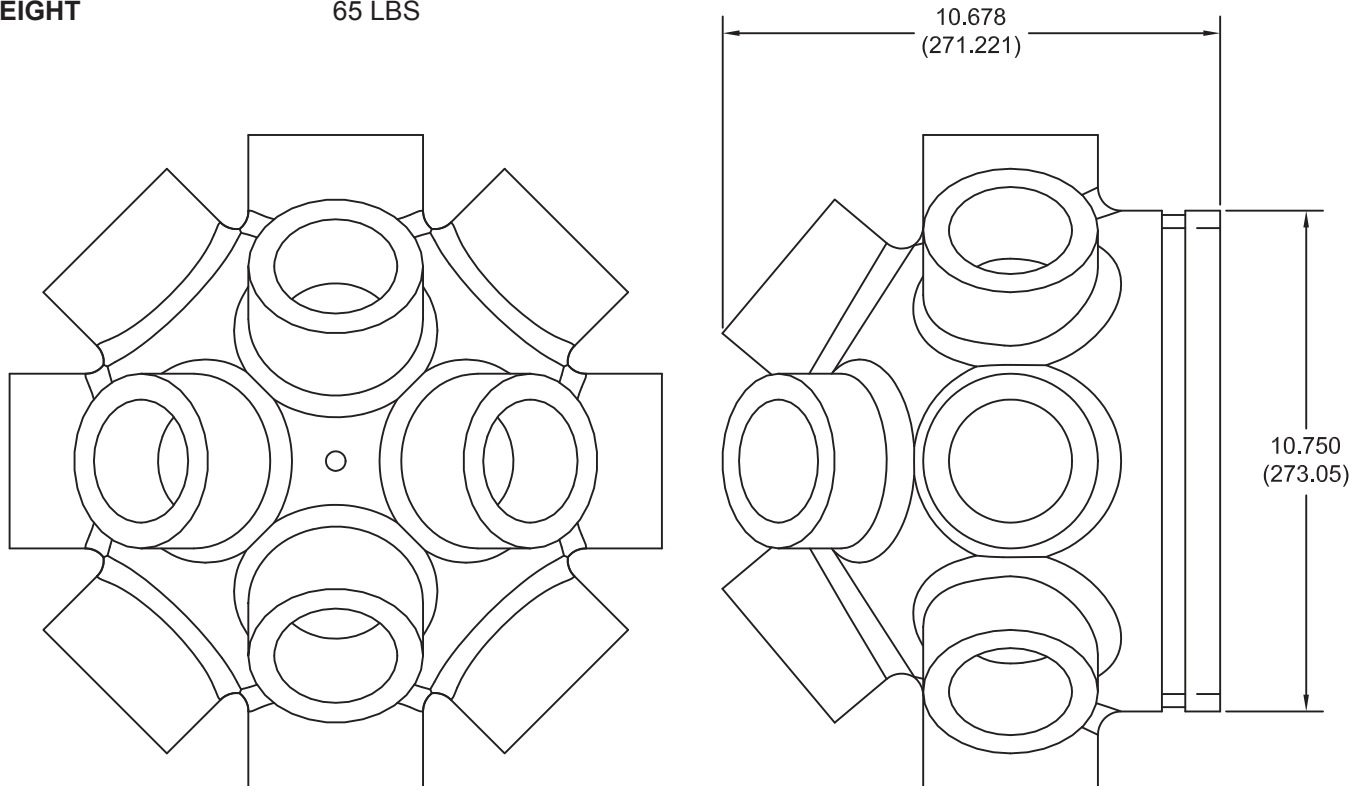
SIZE	8"
CONNECTION	GROOVED
VALVE CONNECTIONS	(6) 2-1/2" NPT
MAX NFPA FLOW	2000 GPM
BODY MATERIAL	CAST STEEL
	ASTM A216 GR. WCB
MAX W.P.	300 PSI
WEIGHT	35 LBS



NOT FOR CONSTRUCTION, INSTALLATION OR APPLICATION PURPOSES UNLESS CERTIFIED		
CERTIFIED FOR:		
CUSTOMER ORDER NO.:	TAG NO.	
SHOP ORDER:	CERTIFIED BY:	DATE:

HOSE HEADER

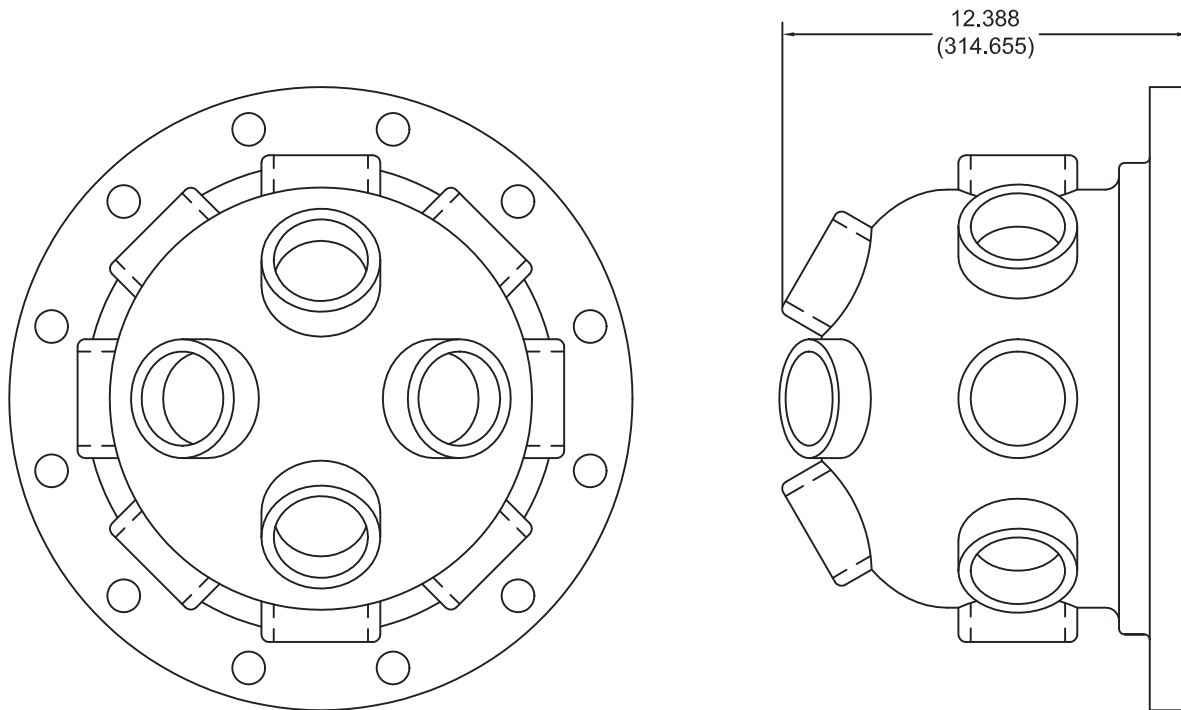
SIZE	10"
CONNECTION	GROOVED
VALVE CONNECTIONS	(12) 2-1/2" NPT
MAX NFPA FLOW	3000 GPM
BODY MATERIAL	CAST STEEL
	ASTM A216 GR. WCB
MAX W.P.	300 PSI
WEIGHT	65 LBS



NOT FOR CONSTRUCTION, INSTALLATION OR APPLICATION PURPOSES UNLESS CERTIFIED		
CERTIFIED FOR:		
CUSTOMER ORDER NO.:	TAG NO.	
SHOP ORDER:	CERTIFIED BY:	DATE:

HOSE HEADER

SIZE	12"
CONNECTION	150# R.F.
VALVE CONNECTIONS	(12) 2-1/2" NPT
MAX NFPA FLOW	3500 GPM
BODY MATERIAL	FABRICATED STEEL
MAX W.P.	235 PSI
WEIGHT	134 LBS

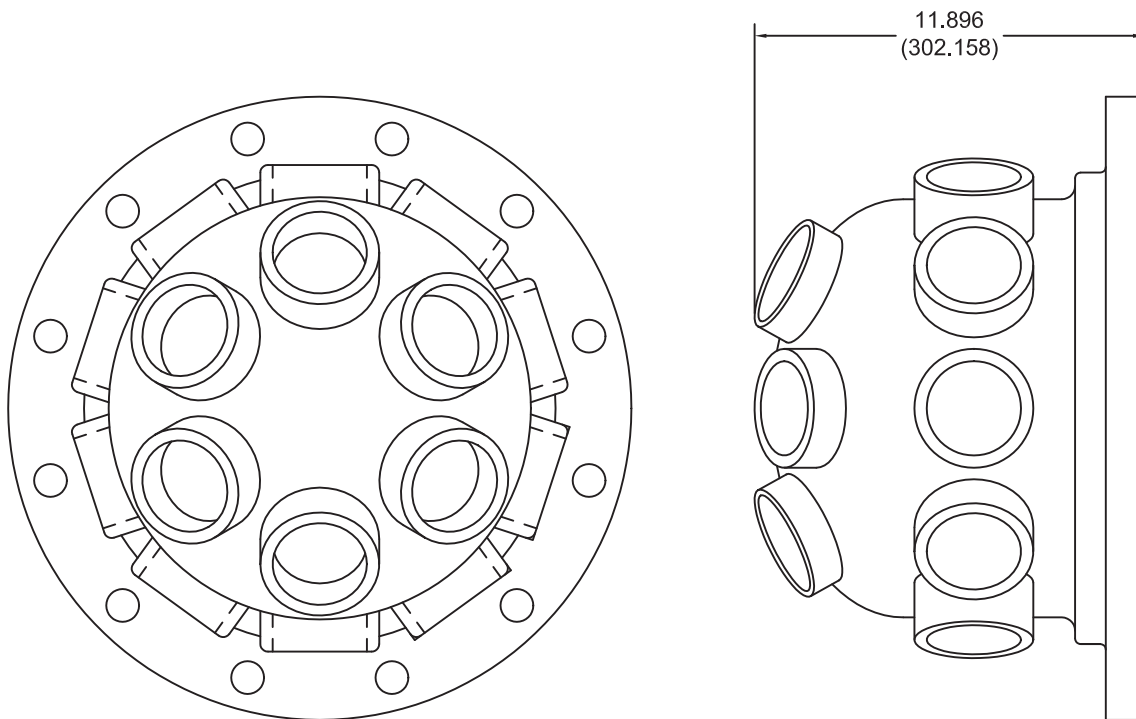


NOT FOR CONSTRUCTION, INSTALLATION OR APPLICATION PURPOSES UNLESS CERTIFIED		
CERTIFIED FOR:		
CUSTOMER ORDER NO.:	TAG NO.	
SHOP ORDER:	CERTIFIED BY:	DATE:

DIMENSIONS IN INCHES (mm)

HOSE HEADER

SIZE	12"
CONNECTION	150# R.F.
VALVE CONNECTIONS	(16) 2-1/2" NPT
MAX NFPA FLOW	4500 GPM
BODY MATERIAL	FABRICATED STEEL
MAX W.P.	235 PSI
WEIGHT	162 LBS

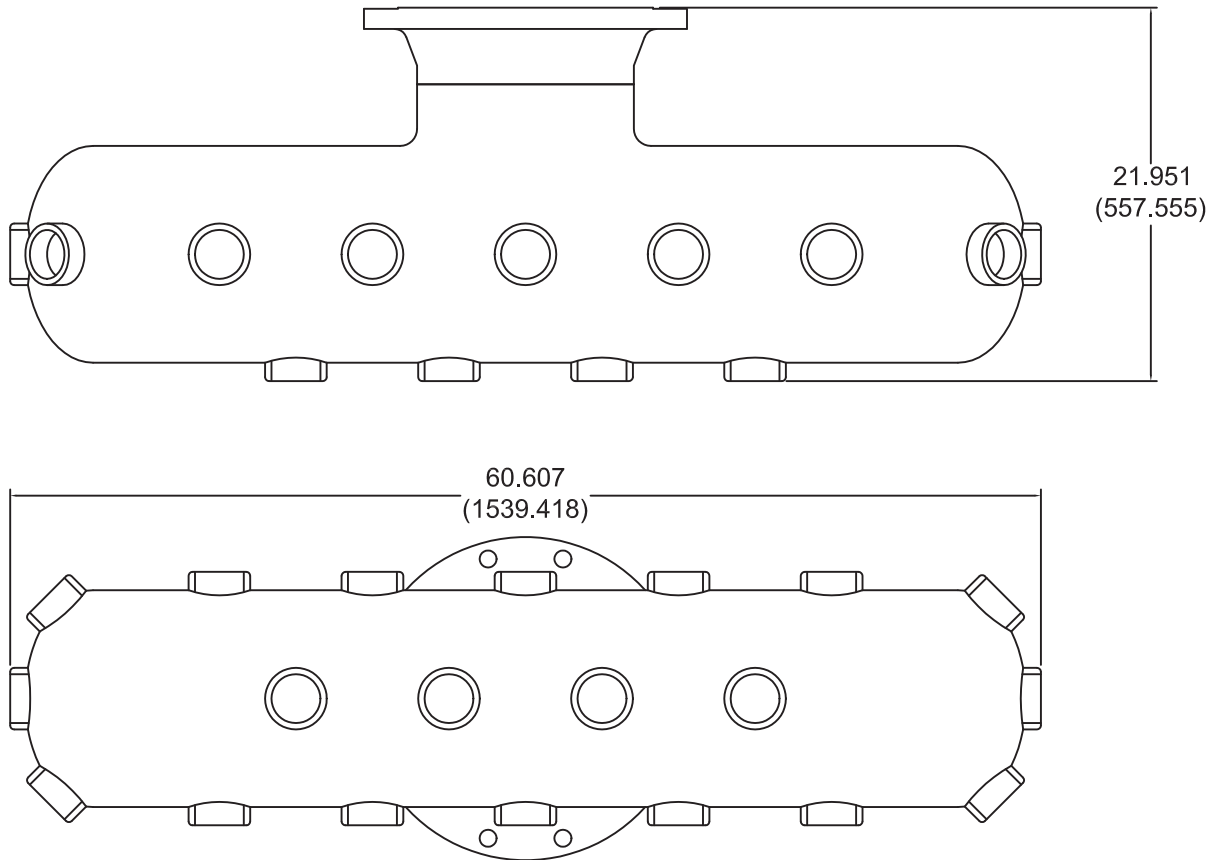


NOT FOR CONSTRUCTION, INSTALLATION OR APPLICATION PURPOSES UNLESS CERTIFIED		
CERTIFIED FOR:		
CUSTOMER ORDER NO.:	TAG NO.	
SHOP ORDER:	CERTIFIED BY:	DATE:

DIMENSIONS IN INCHES (mm)

HOSE HEADER

SIZE	12"
CONNECTION	150# R.F.
VALVE CONNECTIONS	(20) 2-1/2" NPT
MAX NFPA FLOW	5000 GPM
BODY MATERIAL	FABRICATED STEEL
MAX W.P.	235 PSI
WEIGHT	336 LBS



NOT FOR CONSTRUCTION, INSTALLATION OR APPLICATION PURPOSES UNLESS CERTIFIED		
CERTIFIED FOR:		
CUSTOMER ORDER NO.:	TAG NO.	
SHOP ORDER:	CERTIFIED BY:	DATE: