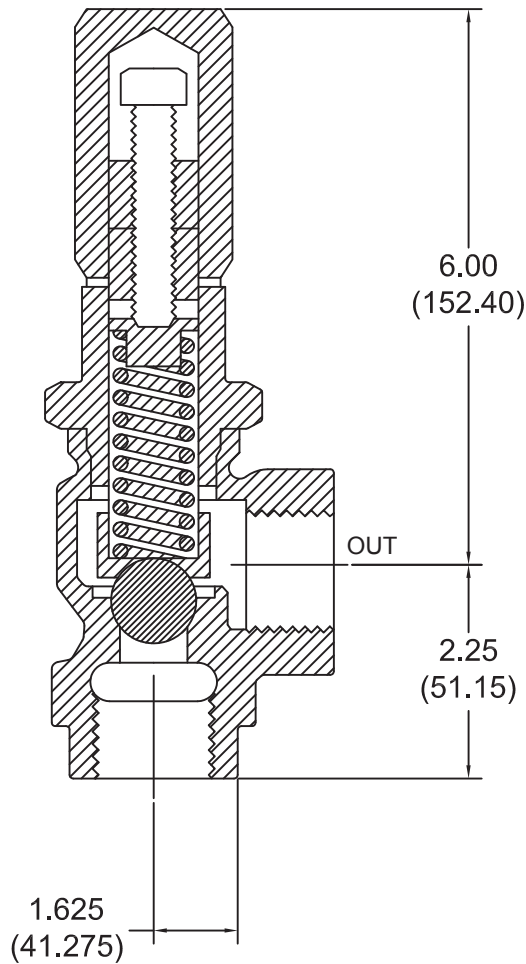


CASING RELIEF VALVE

MODEL	R SERIES
SIZE	1" IN / OUT
CONNECTION	NPT
FLOW RANGE	3000-5000 GPM
PRESSURE RANGE	75-300 PSI
BODY & SEAT MATERIAL	BRONZE
VALVE MATERIAL	STAINLESS STEEL
MAX INLET PRESSURE	300 PSI
WEIGHT	3 LBS



NOT FOR CONSTRUCTION, INSTALLATION OR APPLICATION PURPOSES UNLESS CERTIFIED		
CERTIFIED FOR:		
CUSTOMER ORDER NO.:	TAG NO.	
SHOP ORDER:	CERTIFIED BY:	DATE: